



Installation and Maintenance Instructions



**Willoughby Industries, Inc.
WH1700
Patient Care Unit**

Stainless Steel Cabinet with Aquasurf® Lavatory Top

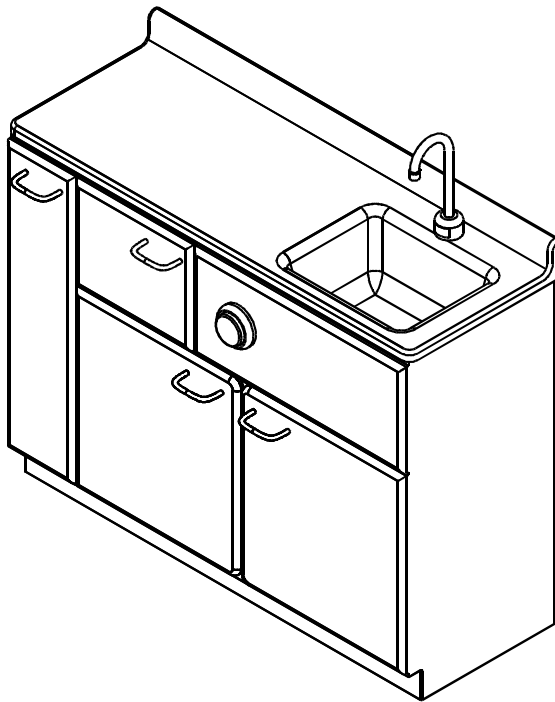


Table of Contents

Pre-Installation Information.....1

Installation Instructions

Unpacking the WH1700 Patient Care Unit.....1
Installing the Anchors2
Installing the Toilet and Waste3
Installing the Vacuum Breaker.....3
Installing the Cabinet.....3
Installing the Aquasurf® Lavatory Top.....3
Installing the Faucet and Water Supply.....4
Completing Connections4
Installing the Bedpan Washer4
Installing the Cabinet Floor and Back Panel.....4
Installing the Door Linkage.....5
Cleaning and Maintenance.....5

Pre-Installation Information Overview

The Willoughby Industries, Inc. WH1700 Patient Care Unit incorporates a patient toilet inside a decorator cabinet and lavatory countertop. The welded stainless steel cabinet with wood/laminate overlay panels and doors, used on the WH1700 provide a sanitary component, easily maintained and cleaned. The WH1700 module comes standard with the Aquasurf® Solid Surface Products lavatory deck with integral bowl.

Check Contents

Separate all parts from packaging and make sure all parts are accounted for before discarding any packaging material. If any parts are missing, do not attempt to install WH1700 Patient Care Unit until you obtain the missing parts.

NOTE: The WH1700 Patient Care Unit is shipped assembled (except for faucet and sink drain) fastened to a plywood floor like it will be installed at your location.

DO NOT DISCARD PLYWOOD FLOOR!

The plywood floor will serve as your anchor hole location template.

NOTE: Before beginning installation, all supply, drain and waste piping for the WH1700 must be completed according to rough-ins specified. If you have not received and prepared rough-ins, contact Willoughby Industries, Inc. (800) 428-4065 or visit www.willoughby-ind.com



Willoughby Industries Inc., Patient Care Warranty Information:

Willoughby Industries Inc. warrants to commercial and institutional purchasers only, each unit free from defects in material and workmanship under normal use and service upon the following terms and conditions:

- 1) This warranty is limited to replacing or repairing, at our option, transportation charges prepaid by the purchaser, any Patient Care Unit or part thereof, which our inspection shall show to have been defective within the limitations of this warranty.
- 2) The period during which WH1700 Patient Care Unit components are warranted is as follows:
 - a) Aquasurf® Solid Surface Products lavatory deck with integral bowl, warranted for two years, measured from the date of our invoice.
 - b) All other Patient Care components warranted for one year, measured from the date of our invoice.
- 3) This warranty does not cover installation or any other labor charges and does not apply to any units, which have been damaged by accident, abuse, improper installation or improper maintenance.
- 4) The replacement or repair of defective units as stated in this warranty shall constitute the sole remedy of the purchaser and the sole liability of Willoughby Industries Inc. under this warranty. Willoughby Industries Inc. shall not otherwise be liable under any indirect damages caused by defects in the repair or replacement thereof.
- 5) This warranty extends only to commercial and institutional purchaser and does not extend to any others, including consumer customers of commercial institutional purchasers.
- 6) This warranty is in lieu of all other warranties, expressed or implied, including any implied warranty of merchantability or fitness for a particular purpose or otherwise.

Installation Instructions

- ❑ **IMPORTANT:** These installation instructions cover all of the Willoughby Industries Inc. WH1700 Patient Care Units. Simply omit the steps which do not apply to the model you are installing.
- ❑ **IMPORTANT:** Flush all the water supply lines before making connections.
- ❑ **IMPORTANT:** Figures shown in the instructions illustrate a right hand model. A left hand model would be opposite to what is shown.

Supplies required for installation:

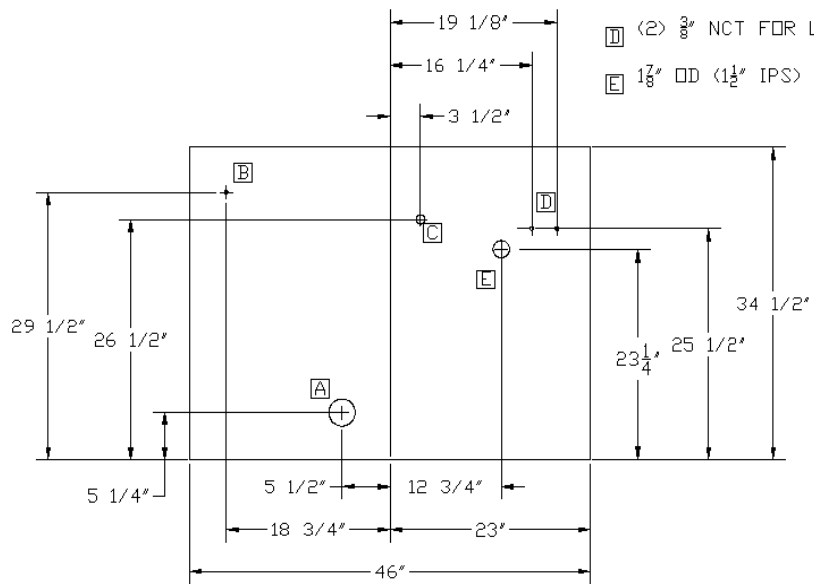
- Steel angles and hardware for anchoring the toilet (if concrete is lightweight or less than 4" thick)
- Hardware for waste outlet connections
- Gasket for waste outlet connection
- Shims (for toilet or cabinet installation, if necessary)
- Supply piping (including 1/2" NPT flexible hoses) to toilet, faucet or foot valve, and optional vacuum breaker and bedpan washer.
- Waste outlet piping to toilet
- P-trap and drain piping
- Silicone caulk

WARNING: All mounting hardware provided is essential for proper anchoring. Willoughby Industries Inc. does not assume any responsibility for personal injury or damage to equipment due to an improperly installed WH1700 Patient Care Unit.



NOTE:
LEFT HAND MODEL SHOWN
RIGHT HAND IS SYMMETRICALLY OPPOSITE

- Ⓐ TOILET WASTE: REAR OUTLET 3" IPS
- Ⓑ $\frac{3}{8}$ " NCT INLET TO BEDPAN WASHER SPRAY (FROM PRESSURE TYPE VACUUM BREAKER)
- Ⓒ FLUSH VALVE INLET 1" NPT
- Ⓓ (2) $\frac{3}{8}$ " NCT FOR LAVATORY VALVE SUPPLY
- Ⓔ $1\frac{7}{8}$ " OD ($1\frac{1}{2}$ " IPS) P-TRAP (BY OTHERS)





Step 1: Unpack the WH1700

- 1) Remove the packaging around the unit.
- 2) Remove the door linkage by removing the Pin fastened into the linkage bracket.
- 3) Lift out the trim piece around the toilet on the cabinet floor.
- 4) Unfasten and slide the back panel so that the panel lips unlock. Bring the panel out of the front of the cabinet.
- 5) Remove the cabinet floor by removing the adhesive holding the floor in place and sliding the cabinet floor out.
- 6) Unbolt the toilet and cabinet assembly from the floor/template.
- 7) Discard the shipping hardware for the toilet and cabinet, but **DO NOT** discard the plywood floor/template.

Step 2: Install the anchors

- 1) Select the location where the WH1700 is to be installed. Using the supplied template, lay out the hole pattern for the toilet and cabinet anchor locations.
- 2) Using a 5/8" concrete drill bit, drill four 2-1/8" deep holes into the toilet support anchoring locations using the template (see Figure 3). Holes must be clean and free of debris.
- 3) Using a 3/8" concrete drill bit, drill four 1 1/8" deep holes into the cabinet anchoring locations using the template. Holes must be clean and free of debris.
- 4) If a foot valve is required, drill two 1 1/8" deep holes using a 1/2" concrete drill bit into the foot valve anchor locations using the template. Holes must be clean and free of debris.
- 5) Remove the template. Drive the four 2-1/8" anchors provided into the drilled holes for the toilet using a hammer and the setting tool supplied. The anchor should be driven in flush with the floor.
- 6) Drive the four 3/8" anchors into the drilled holes for the cabinet using a hammer and

the setting tool. Make sure the anchors are driven in flush with the floor.

NOTE: If the floor concrete is lightweight or less than 4" thick, through bolting to steel angles under the floor is recommended (hardware supplied by installer).

Step 3: Install the toilet and waste connections

- 1) Place the toilet over the support anchors installed in Step 2.
- 2) Connect the toilet to the floor waste outlet (gaskets supplied by installer). Square the toilet to the back wall.
- 3) Level and support the toilet solidly at the four corners using shims, (supplied by installer) if necessary.
- 4) Secure the toilet to the four floor anchors using the 1/2" hex screws and washers supplied and tighten securely.

NOTE: If the waste outlet is through the back or sidewall, use a no-hub type connector (available as an option) but DO NOT tighten the connector.

- 5) On WH1700 models with a back waste connection, tighten the connector clamps at this time.

Step 4: Install the vacuum breaker for the WH1700 Patient Care Unit with a bedpan washer

- 1) Install the supplied vacuum breaker to the wall per local code.

NOTE: The vacuum breaker must be mounted on the wall a minimum of 6' (1829mm) from the floor along the centerline of the valve.

- 2) Connect the wall piping to the VAC inlet and VAC outlet on the vacuum breaker (refer to rough-ins and Figure

10a for foot control or Figure 10b for hand control).

- 3) Before installing the cabinet, connect the vacuum breaker outlet to the bedpan washer inlet using a 1/2" NPT flexible hose (supplied by installer).

NOTE: All other plumbing connections are made after the cabinet is installed.

Step 5: Install the WH1700 cabinet

- 1) Install the supplied mounting studs into the cabinet anchors installed in Step 2.
- 2) Over each mounting stud, screw on a leveling nut and place a washer over the nut.
- 3) With the cabinet floor removed, locate the cabinet in place over the mounting studs.
- 4) Add a flat washer and securing nut to each cabinet mounting stud.
- 5) Level the cabinet and tighten the nuts.
- 6) On models with foot valves, install the foot valve with the screws provided to the foot valve anchors installed in Step 2 and tighten.

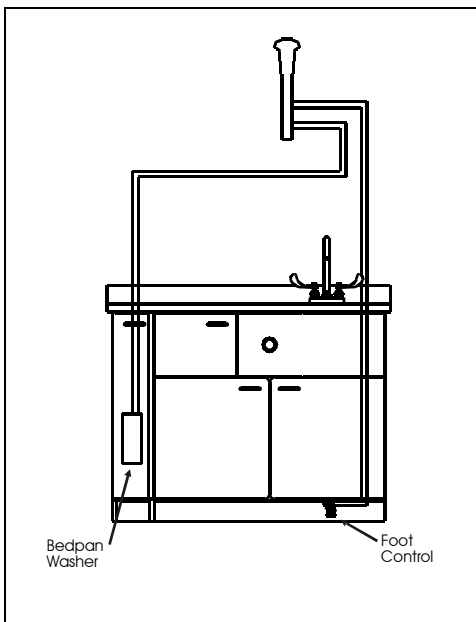


Figure 1a BEDPAN WASHER w/FOOT CONTROL

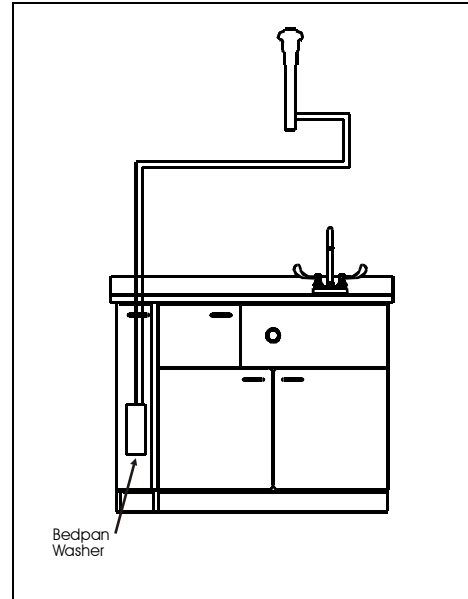
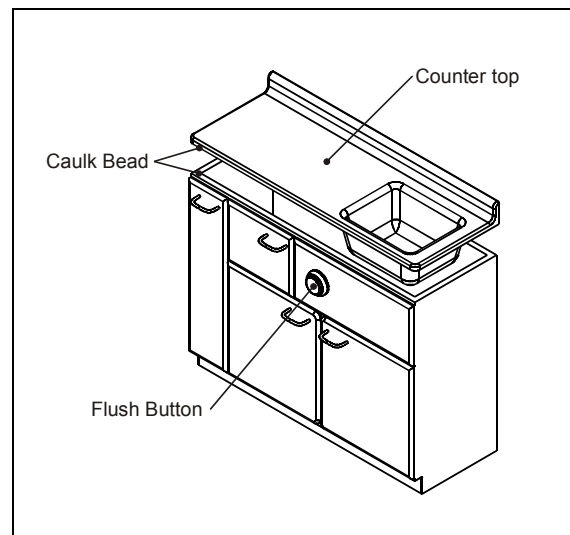


Figure 1b BEDPAN WASHER w/HAND CONTROL

Step 5a: Install the Aquasurf® lavatory top with integral bowl.

- 1) Install drain assembly.
- 2) Apply a bead of silicone caulk around the outer top edge of the cabinet and between the lavatory top and the wall.
- 3) Set the lavatory top in place on the cabinet making sure the back and wall sides are flush with the edge of the cabinet. Clean up excess caulk around the countertop edge.





Step 6: Install faucet and connect water supply

FOOT VALVE MODELS

Place the faucet onto the countertop, gently inserting the faucet supply shank through the hole provided in the lavatory bowl.

- 1) Using the washer and wing nut provided, mount the faucet to the countertop by tightening the wing nut on the faucet's supply shank.
- 2) Connect the flexible supply hose provided to the supply shank.
- 3) Connect the other end of the supply hose to the foot valve outlet.
- 4) Connect the hot and cold water supply (piping supplied by installer) to the 1/2" NPT inlet connectors on the foot valve.

FAUCET VALVE MODELS

- 1) Place the faucet onto the countertop, gently inserting the faucet supply shanks through the holes provided in the lavatory bowl.
- 2) Using the washers and wing nuts provided, mount the faucet to the countertop by tightening the wing nut on the faucet's supply shanks.
- 3) Connect the hot and cold water supply (piping supplied by installer) to the 1/2" NPT inlet connectors on the foot valve.

Step 7: Completing Installation

- 1) Connect the flush valve outlet to the water closet by slipping the flexible hose over the inlet tube and tightening the hose clamp.

NOTE: The flexible hose must not be twisted.

- 2) On models with a side waste outlet, tighten the connector clamps inside the cabinet at this time.
- 3) Connect the flush valve water supply pipe to the flush valve 1" NPT inlet.
- 4) Install Push Button Activator plastic tubing, with door in open position.
- 5) Install the P-trap (supplied by installer) to the sink drain, and then connect the P-trap to the drain pipe (piping supplied by installer).

- 6) On models with foot valve controlled bedpan washer, connect the water supply to the 1/2" NPT foot valve connector.
- 7) On models with foot valve controlled bedpan washer, connect the VAC inlet pipe to the 1/2" NPT connection on the bedpan washer foot valve (see Figure 18a).
- 8) On the models with hand control bedpan washer, connect the inlet pipe directly to the VAC inlet pipe.

NOTE: If equipped with the foot valve operated spout for the lavatory, it is necessary to "T" off the cold water supply for supplying the bedpan washer foot valve (refer to rough-ins).

Step 8: Install the optional bedpan washer drain

- 1) Install the 1-1/2" waste arm through the hole in the side of the cabinet, then make the connection to the bedpan washer housing.

NOTE: Some trimming of the waste tubes may be required.

- 2) Install the second waste arm to the first waste arm with the outlet facing the floor.
- 3) Install the P-trap to the second waste arm, and then make the final connection at the wall.
- 4) If a dialysis box option is equipped on the unit, replace the second waste arm with a baffle tee (supplied by installer).



Step 9: Install the cabinet floor and back panel

- 1) Install the cabinet floor and secure it to the cabinet frame with double stick adhesive provided.

NOTE: On models with foot valves, the outlet hose must be positioned in the cabinet floor cutout.

- 2) Lay the trim piece around the base of the toilet on the cabinet floor.
- 3) Using clear silicone caulk (supplied), caulk between the trim piece and cabinet floor, and caulk the gap between the toilet pedestal and trim piece.
- 4) Install the back panel by bringing the sliding back panel in from the front of the unit and sliding the back panel into place.
- 5) Secure the back panel by clipping the back panel onto the two frame corner panel clips.
- 6) All interior panels should be silicone caulked.

Step 10: Install and adjust the door linkage

- 1) Install the door linkage by loosely fastening the door linkage rod with the supplied Pin into the linkage bracket.
- 2) Close the door. If the toilet contacts the back wall before the door closes, adjust the door linkage by turning the door linkage rod so that the door closes before the water closet comes in contact with the back wall.
- 3) If no adjustment is needed, tighten the nut securely on the linkage bracket.

NOTE: The linkage arm has a factory-set length. When the door linkage is fastened to the linkage bracket as shown in Figure 24, the door will open 110 degrees. If the fixture is installed against a corner wall, make sure the door does not come in contact with the wall, or the water closet does not come in contact with the back wall when the door is opened or closed. Make adjustments, if necessary.

- 4) After the adjustments are made, tighten the nut securely on the linkage arm.



WH1700 Patient Care Unit Cleaning and Maintenance

Regular cleaning greatly prolongs the service life of solid surface, stainless steel and laminate fixtures and, at the same time, helps to maintain a pleasing surface appearance. The amount and frequency of cleaning depends on the service conditions involved.

For best results, fixtures should be cleaned as often as films or deposits become apparent. This will remove built-up deposits, which may eventually cause contaminants to set on the surface.

CAUTION: USING CLEANERS THAT CONTAIN HARSH CHEMICALS, ABRASIVES, ACIDS OR DISINFECTANTS, OR CLEANING WITH STEEL WOOL OR BRUSHES, WILL RESULT IN DAMAGE TO ALL SURFACES. IF THESE CHEMICALS COME IN CONTACT WITH ANY SURFACE, WIPE OFF THE SURFACE IMMEDIATELY AND FLUSH WITH SOAPY WATER. ALWAYS READ THE LABEL ON ANY CLEANING PRODUCT BEFORE APPLYING TO ANY FIXTURE.

Aquasurf® Solid Surface cleaning

Daily cleaning: Wipe the Aquasurf® Solid Surface with a wet cloth, then rinse with clear water and wipe dry.

Weekly cleaning: Give the Aquasurf® Solid Surface Lavatory a thorough cleaning with a damp cloth and a household liquid detergent or ammonia-based cleaner. Cleaning the surface with a mild abrasive cleaner, then rinsing and allowing drying can remove most stains. Stubborn stains can be cleaned as follows:

- 1) Using a #7448 Scotch-Brite™ pad, scrub with an abrasive cleanser and water
- 2) Clean thoroughly with soap and water and allow drying.

Scorch marks: Although Aquasurf® Solid Surface will not burn; a lit cigarette in contact with the material could leave a scorch mark. Scorch marks can be removed with either an

abrasive cleaner or by buffing with a #7448 Scotch-Brite™ pad.

Repair kit: A repair kit is available from Willoughby Industries Inc., to repair/patch all Aquasurf® Solid Surface Products. Contact the Willoughby Industries Inc., representative to order a repair kit and be sure to specify color when ordering.

Stainless steel and laminate cleaning

- 1) Give the laminate surface a thorough cleaning with a non-abrasive liquid tub-and-tile cleaner to remove soil and maintain the glossy finish.
- 2) You may safely use the following cleaners:

Formula 409™ Spic and Span™ Powder, Liquid Comet™, Mr. Clean™, Soft Scrub™, Windex™, Glass Plus™

DO NOT use the following:

Lysol™ Disinfectant Spray, Lestoil™, Pinesol™, Dow™ Disinfectant Bathroom Cleaner, acetone, alcohol or steel wool/brushes.

- 3) Remove all material and deposits that tend to adhere to the laminate surface, taking special note of crevices and corners
- 4) Remove all material and deposits that tend to adhere to the stainless steel surface with stainless steel polishing powder (always rub in the direction of the polishing lines)
- 5) Check for rust spots or streaks on the stainless steel surface and look for the source of the rust (a steel nail located in, or some iron or steel not actually a part of the stainless steel fixture may be the cause). Rinse the laminate and stainless steel surfaces thoroughly and dry completely after washing.