

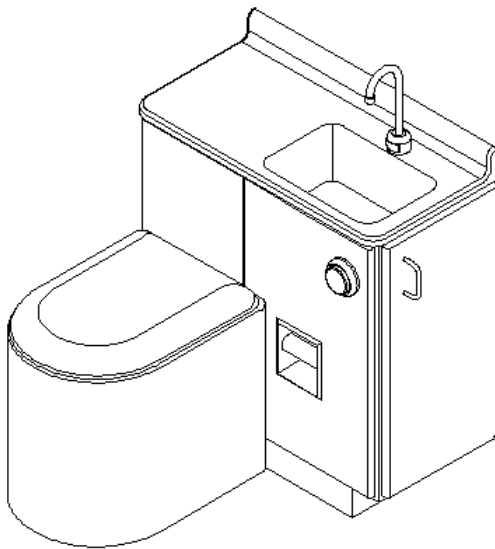


Installation and Maintenance Instructions



Willoughby Industries, Inc. WH2800 Patient Care Unit

Stainless Steel Cabinet with Aquasurf® Lavatory Top



Pre-Installation Information Overview

The Willoughby Industries, Inc. WH2800 Patient Care Unit incorporates a patient toilet and a decorator cabinet with lavatory countertop. The welded stainless steel cabinet with solid Polymer overlay panels and doors, used on the WH2800 provide a sanitary component, easily maintained and cleaned.

The WH2800 comes standard with the Aquasurf© Solid Surface Products countertop deck with integral bowl.

Check Contents

Separate all parts from packaging and make sure all parts are accounted for before discarding any packaging material. If any parts are missing, do not attempt to install WH2800 Patient Care Unit until you obtain the missing parts.

Table of Contents

Pre-Installation Information1

Installation Instructions

| | |
|--|-----|
| Unpacking the WH2800 Patient Care Unit..... | 4 |
| Installing the Anchors..... | 4 |
| Installing the Water Closet and Waste | 4 |
| Installing the Cabinet..... | 4 |
| Connecting the Pushbutton Flush Valve..... | 4-5 |
| Installing the Vacuum Breaker and Bedpan Washer... | 5 |
| Installing the Aquasurf® Countertop..... | 6 |
| Installing the Faucet and Water Supply..... | 6 |
| Completing Installations..... | 6-7 |
| Cleaning and Maintenance..... | 7 |

NOTE: The WH2800 Patient Care Unit is shipped assembled (except for faucet and sink drain).

NOTE: Before beginning installation, all supply, drain and waste piping for the WH2800 must be completed according to rough-ins specified. If you have not received and prepared rough-ins, contact Willoughby Industries, Inc. (800) 428-4065 or visit www.willoughby-ind.com



Willoughby Industries Inc., Patient Care Warranty Information:

Willoughby Industries Inc. warrants to commercial and institutional purchasers only, each unit free from defects in material and workmanship under normal use and service upon the following terms and conditions:

- 1) This warranty is limited to replacing or repairing, at our option, transportation charges prepaid by the purchaser, any Patient Care Unit or part thereof, which our inspection shall show to have been defective within the limitations of this warranty.
- 2) The period during which WH2800 Patient Care Unit components are warranted is as follows:
 - a) Aquasurf® Solid Surface Products lavatory deck with integral bowl, warranted for two years, measured from the date of our invoice.
 - b) All other Patient Care components warranted for one year, measured from the date of our invoice.
- 3) This warranty does not cover installation or any other labor charges and does not apply to any units, which have been damaged by accident, abuse, improper installation or improper maintenance.
- 4) The replacement or repair of defective units as stated in this warranty shall constitute the sole remedy of the purchaser and the sole liability of Willoughby Industries Inc. under this warranty. Willoughby Industries Inc. shall not otherwise be liable under any indirect damages caused by defects in the repair or replacement thereof.
- 5) This warranty extends only to commercial and institutional purchaser and does not extend to any others, including consumer customers of commercial institutional purchasers.
- 6) This warranty is in lieu of all other warranties, expressed or implied, including any implied warranty of merchantability or fitness for a particular purpose or otherwise.

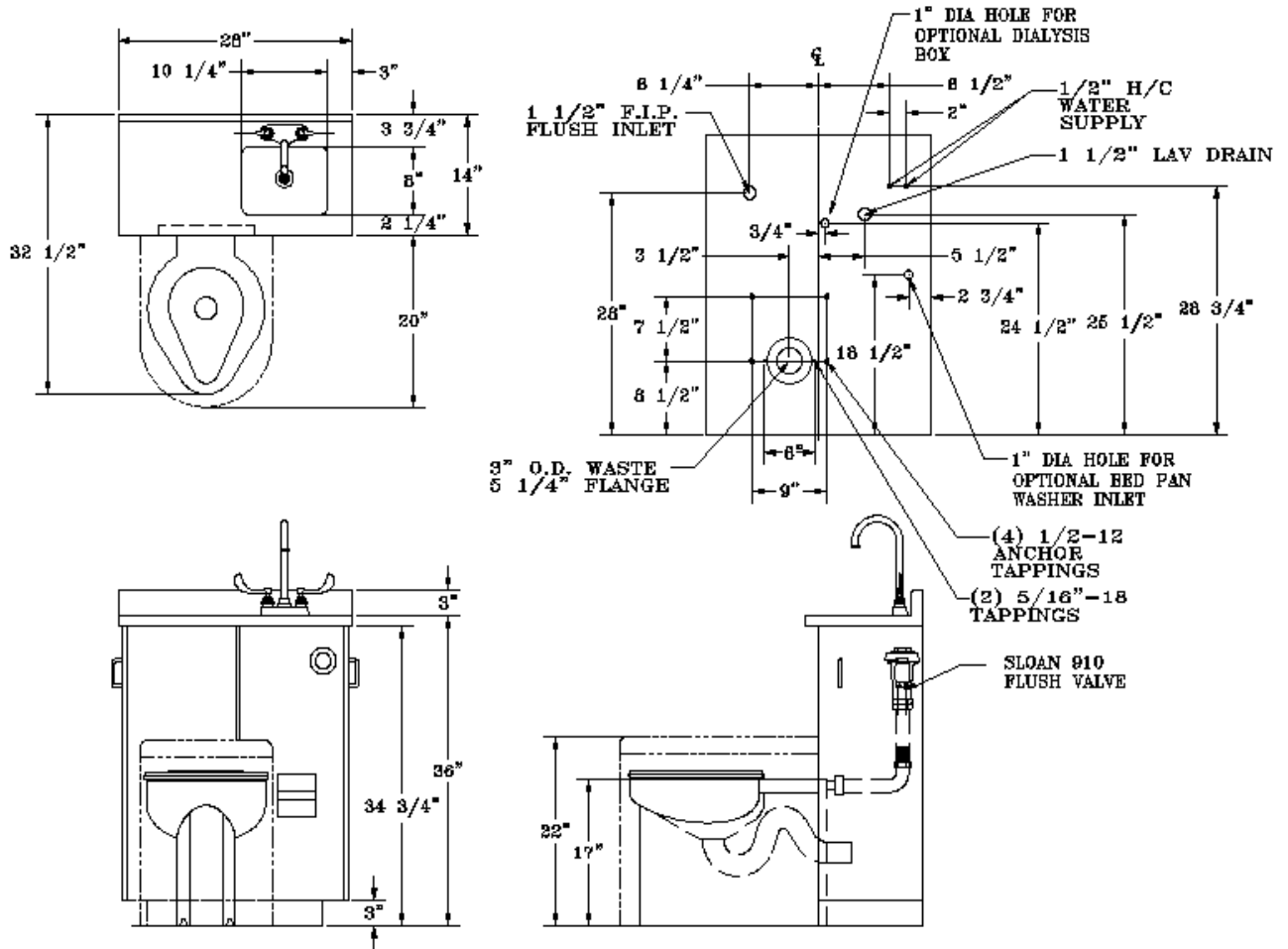
Installation Instructions

- ❑ **IMPORTANT: These installation instructions cover all of the Willoughby Industries Inc. WH2800 Patient Care Units. Simply omit the steps, which do not apply to the model you are installing.**
- ❑ **IMPORTANT: Flush all the water supply lines before making connections.**
- ❑ **IMPORTANT: Figures shown in the instructions illustrate a right hand model. A left hand model would be opposite to what is shown.**

Supplies required for installation:

- Steel angles and hardware for anchoring the toilet (if concrete is lightweight or less than 4" thick)
- Hardware for waste outlet connections
- Gasket for waste outlet connection
- Shims (for toilet or cabinet installation, if necessary)
- Supply piping (including 1/2" NPT flexible hoses) to toilet, faucet or foot valve, and optional vacuum breaker and bedpan washer.
- Waste outlet piping to toilet
- P-trap and drain piping
- Silicone caulk

WARNING: All mounting hardware provided is essential for proper anchoring. Willoughby Industries Inc. does not assume any responsibility for personal injury or damage to equipment due to an improperly installed WH2800 Patient Care Unit.





Step 1: Unpack the WH2800 Patient Care Unit

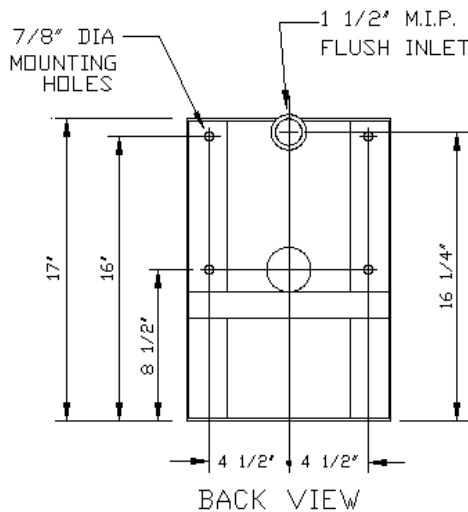
- 1) Remove the packaging around your WH2800 Patient Care Unit.
- 2) Open the flush button access door and remove the flush valve access panel to gain access through-wall flush valve assembly.
- 3) Lift off the countertop and set aside.
- 4) Disconnect the plastic tubing from the flush button housing.
- 5) With help from an assistant, lift the cabinet up from the toilet and set aside.

NOTE: Make sure to lift the cabinet high enough to clear the toilet.

Step 2: Install the anchors

- 1) Select the location where the WH2800 is to be installed. Using the supplied template, lay out the hole pattern for the toilet and cabinet anchor locations (see Figure 1).

NOTE: Lay out anchor locations for the foot valve if required.

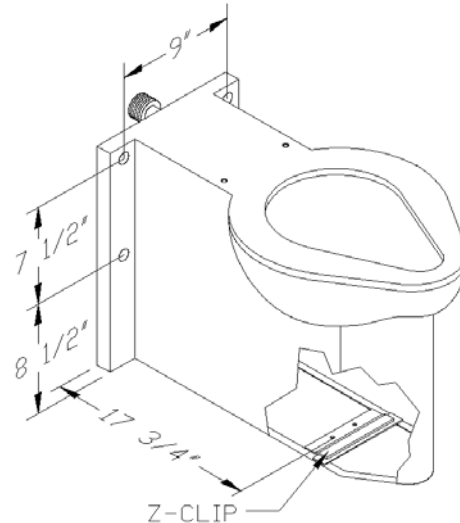


- 2) Using a 5/8" concrete drill bit, drill four 2-1/8" deep holes into the toilet support anchoring locations using the template (see Figure 1). Holes must be clean and free of debris.

- 3) If a foot valve is required, drill two 1-1/8" deep holes using a 1/2" concrete drill bit into the foot valve anchoring locations using valve as the template. Holes must be clean and free of debris.

NOTE: If the floor is lightweight concrete or less than 4" thick, Willoughby Industries Inc. recommends through-bolting to steel angles under the floor (hardware supplied by installer) (see Figure 3).

- 4) Remove the template. Drive the four 2-1/8" anchors provided into the drilled holes for the toilet using a hammer and the setting tool supplied. The anchor should be driven in flush with the floor for floor-mounted toilets. (see Figure 2).



- 5) Install the 2" threaded studs provided into the four 2-1/8" anchors installed in procedure #4.
- 6) If a foot valve is required, drive the two 1-1/8" anchors provided into the drilled holes for the foot valve using a hammer and the setting tool.
- 7) Make sure the anchors are driven in flush with the floor (see Figure 4).

Step 3: Install the toilet and waste connections

- 1) Place the toilet over the threaded studs installed in Step 2.
- 2) Connect the water closet to the floor or wall waste outlet using a no-hub type



- connector (supplied by installer and available as an option).
- 3) Connect the flush valve water supply piping to the flush valve's 1" NPT inlet (piping supplied by installer).
 - 4) Secure the toilet to the four threaded studs.

Step 4: Install the WH2800 cabinet

- 1) With the help from an assistant, lift the cabinet over the toilet.

NOTE: Make sure to lift the cabinet high enough to clear the toilet (and/or flush valve and supply pipe installed).

- 2) Secure the cabinet to the back wall with 3/8" fasteners and anchors (supplied by installer) securely to wall, through slotted back wall panel.

Step 5: Connect the pushbutton flush valve

- 1) Open the flush button access door.
- 2) Connect the tubing from the flush valve to the flush button housing. Insert the tube from the "O" outlet indicated on the flush valve casting to the "O" indicated on the flush button casting. Insert the tube from the "L" outlet indicated on the flush valve casting to the "L" indicated on the flush button casting.

Step 6: Connect the vacuum breaker and bedpan washer

NOTE: Refer to Figure 1a for bedpan washer with hand control or Figure 1b for bedpan washer with foot control.

FOR BEDPAN WASHER OPTION WITH HAND CONTROL:

- 1) Install the supplied vacuum breaker to the wall per local code by connecting the piping to the VAC inlet and VAC outlet on the vacuum breaker.

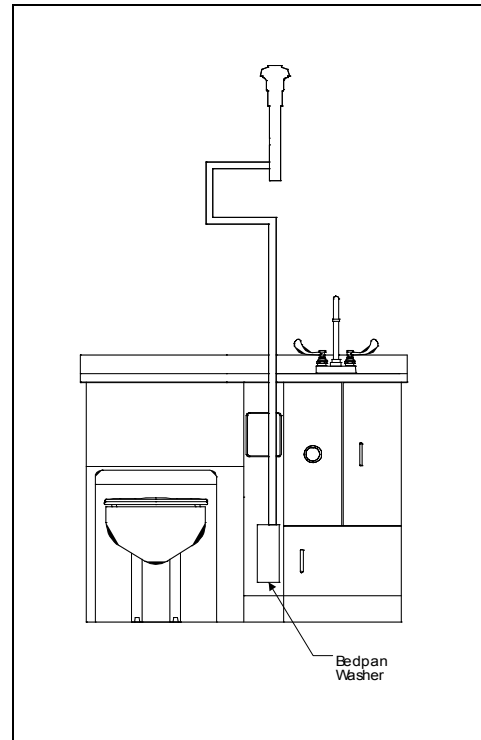


Figure 1a BEDPAN WASHER OPTION WITH HAND CONTROL.



FOR BEDPAN WASHER OPTION WITH FOOT CONTROL ONLY:

- 1) Connect the cold water supply for the bedpan washer to the 1/2" NPT volume control valve inlet.
- 2) Connect the 1/2" NPT volume control valve outlet to the VAC inlet pipe.
- 3) Connect the VAC outlet pipe to the 1/2" NPT bedpan washer hose connector.

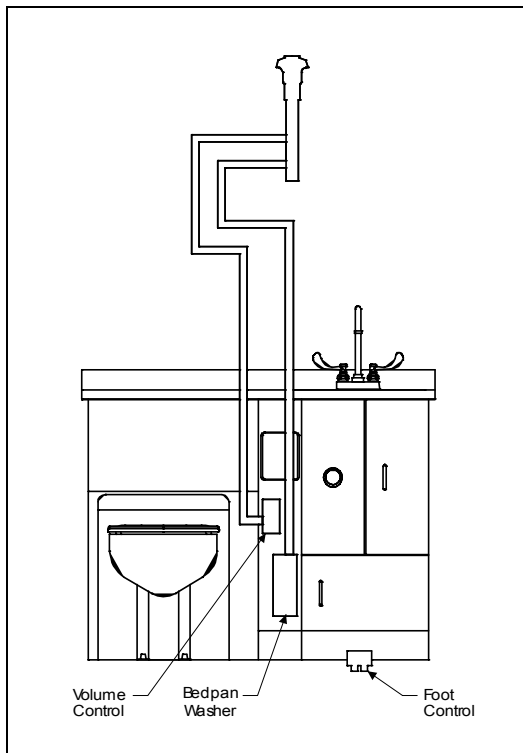


Figure 1b BEDPAN WASHER OPTION WITH FOOT CONTROL.

Step 7: Install the Aquasurf® Solid Surface Products countertop to the cabinet

NOTE: Refer to Figure 2 for standard Aquasurf® Solid Surface countertops.

- 1) Apply a bead of silicone caulk around the outer top edge of the cabinet and between the lavatory top and the wall.
- 2) Set the lavatory top in place on the cabinet making sure the back and wall sides are flush with the edge of the cabinet.
- 3) Clean up excess caulk around the Aquasurf® Solid Surface Products countertop edge.

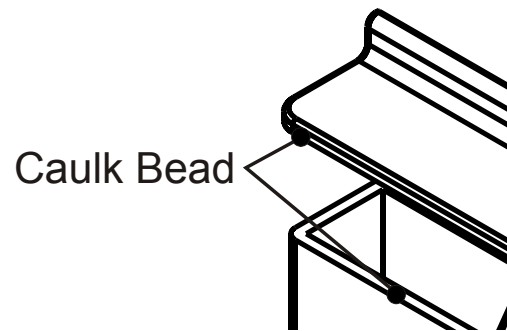


Figure 2.

Step 8: Install faucet, supply connections

NOTE: On WH2800 models with optional sensor faucet, refer to the specific manufacturers instruction sheet when completing the faucet installation and making the electrical connections.

FAUCET VALVE MODELS

- 1) Place the faucet onto the countertop, gently inserting the faucet supply shanks through the holes provided in the countertop deck with integral bowl.
- 2) Using the washers and wing nuts provided, mount the faucet to the countertop by tightening the wing nut on the faucet's supply shanks.
- 3) Connect the hot and cold water supply (piping supplied by installer) to the 1/2" NPT inlet connectors.



FOOT VALVE MODELS

- 1) Place the faucet onto the countertop, gently inserting the faucet supply shank through the hole provided in the lavatory bowl.
- 2) Using the washer and wing nut provided, mount the faucet to the countertop by tightening the wing nut on the faucet's supply shank.
- 3) Connect the flexible supply hose to the supply shank.
- 4) Connect the other end of the supply hose to the foot valve outlet.
- 5) Connect the hot and cold water supply (piping supplied by installer) to the 1/2" NPT inlet connectors on the foot valve.

Step 9: Completing Installation

- 1) Turn on the water supplies and check for leaks and adequate water flow.
- 2) Activate the faucet, bedpan washer and flush valve several times to purge air from the supply lines (close all access doors when finished).

WH2800 Patient Care Unit Cleaning and Maintenance

Regular cleaning greatly prolongs the service life of solid surface, stainless steel and laminate fixtures and, at the same time, helps to maintain a pleasing surface appearance. The amount and frequency of cleaning depends on the service conditions involved.

For best results, fixtures should be cleaned as often as films or deposits become apparent. This will remove built-up deposits, which may eventually cause contaminants to set on the surface.

CAUTION: USING CLEANERS THAT CONTAIN HARSH CHEMICALS, ABRASIVES, ACIDS OR DISINFECTANTS, OR CLEANING WITH STEEL WOOL OR BRUSHES, WILL RESULT IN DAMAGE TO ALL SURFACES. IF THESE CHEMICALS COME IN CONTACT WITH ANY SURFACE, WIPE OFF THE SURFACE IMMEDIATELY AND FLUSH WITH SOAPY WATER. ALWAYS READ THE LABEL ON ANY CLEANING PRODUCT BEFORE APPLYING TO ANY FIXTURE.



Aquasurf® Solid Surface cleaning

Daily cleaning: Wipe the Aquasurf® Solid Surface with a wet cloth, then rinse with clear water and wipe dry.

Weekly cleaning: Give the Aquasurf® Solid Surface Lavatory a thorough cleaning with a damp cloth and a household liquid detergent or ammonia-based cleaner. Cleaning the surface with a mild abrasive cleaner, then rinsing and allowing drying can remove most stains. Stubborn stains can be cleaned as follows:

- 1) Using a #7448 Scotch-Brite™ pad, scrub with an abrasive cleanser and water
- 2) Clean thoroughly with soap and water and allow drying.

Scorch marks: Although Aquasurf® Solid Surface will not burn; a lit cigarette in contact with the material could leave a scorch mark. Scorch marks can be removed with either an abrasive cleaner or by buffing with a #7448 Scotch-Brite™ pad.

Repair kit: A repair kit is available from Willoughby Industries Inc., to repair/patch all Aquasurf® Solid Surface Products. Contact the Willoughby Industries Inc., representative to order a repair kit and be sure to specify color when ordering.

Stainless steel and Polymer cleaning

- 1) Give the polymer surface a thorough cleaning with a non-abrasive liquid tub-and-tile cleaner to remove soil and maintain the finish.
- 2) You may safely use the following cleaners:

Formula 409™ Spic and Span™ Powder, Liquid Comet™, Mr. Clean™, Soft Scrub™, Windex™, Glass Plus™

DO NOT use the following:

Lyso™ Disinfectant Spray, Lestoil™, Pinesol™, Dow™ Disinfectant Bathroom Cleaner, acetone, alcohol or steel wool/brushes.

taking special note of crevices and corners

- 4) Remove all material and deposits that tend to adhere to the stainless steel surface with stainless steel polishing powder (always rub in the direction of the polishing lines)
- 5) Check for rust spots or streaks on the stainless steel surface and look for the source of the rust (a steel nail located in, or some iron or steel not actually a part of the stainless steel fixture may be the cause). Rinse the laminate and stainless steel surfaces thoroughly and dry completely after washing.

- 3) Remove all material and deposits that tend to adhere to the polymer surface,