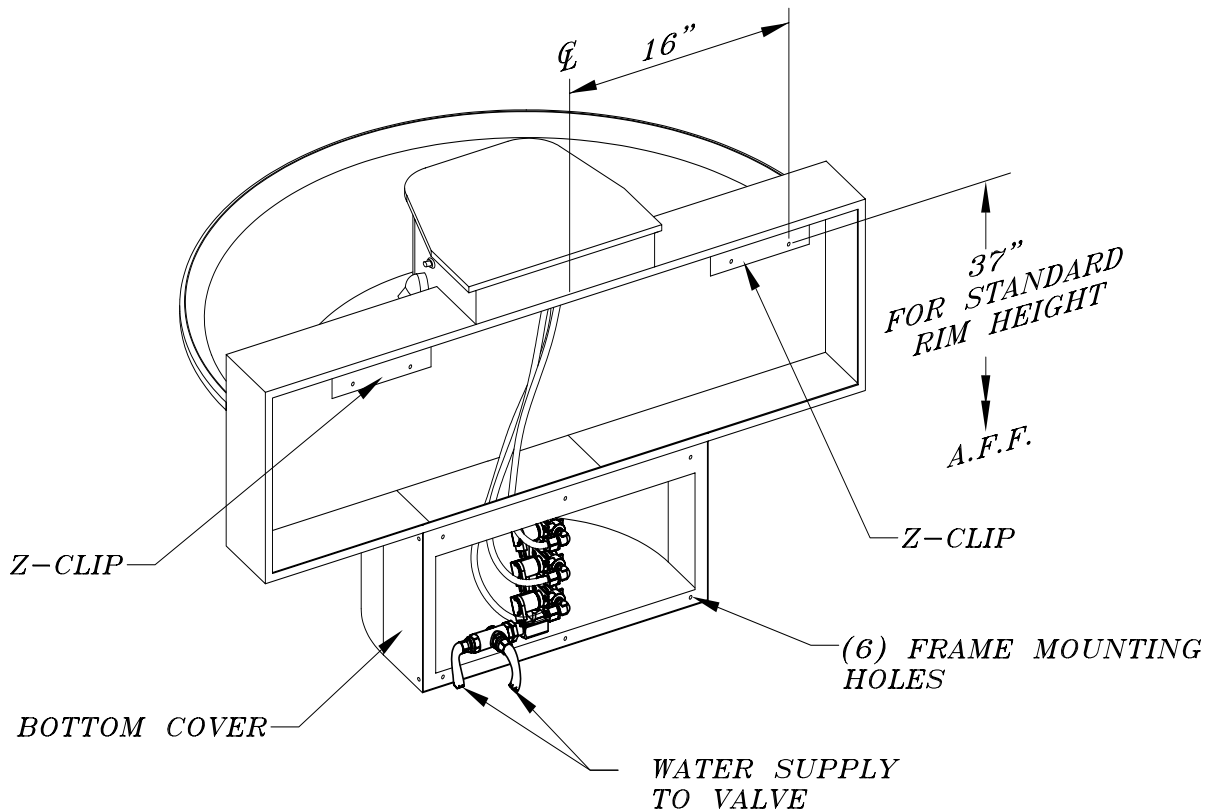




WILLOUGHBY INDUSTRIES, INC.
INSTALLATION INSTRUCTIONS
WWF-4203 WWF-4204 / WWF-3603 / WWF-3604



- 1) MARK CENTERLINE OF FIXTURE ON THE WALL. FOR A STANDARD RIM HEIGHT OF 34", MEASURE UP FROM THE FINISHED FLOOR 37". MARK THIS POINT.
- 2) MEASURE AND MARK 16" ON BOTH SIDES OF THE CENTER LINE (THIS LINE MUST BE LEVEL FOR FIXTURE TO DRAIN PROPERLY).
- 3) MOUNT Z-CLIPS TO THE WALL ALIGNING THE OUTER MOST HOLES TO THE MARKS IN STEP 2.
- 4) REMOVE BOTTOM COVER FROM FIXTURE (DO NOT REMOVE FRAME) AND HANG FIXTURE ON THE Z-CLIPS AS SHOWN.
- 5) DRILL (6) HOLES INTO THE WALL FOR FRAME MOUNTING HARDWARE (SUPPLIED BY OTHERS) USING THE FRAME AS A GUIDE.
- 6) ATTACH MOUNTING HARDWARE (SUPPLIED BY OTHERS) .
- 7) (FOR PIEZO OR INFRARED UNITS) PLUG IN TRANSFORMER TO GCFI RECEPTER.
- 8) MAKE PLUMBING CONNECTIONS AND ADJUST VALVE TIMING IF NEEDED.
- 9) REPLACE BOTTOM COVER.



Visit our website at <http://www.willoughby-ind.com>

2210 West Morris Street • P.O. Box 21217 • Indianapolis, IN 46221

(317) 638-2381 • Fax: (317) 638-6110 • (800) 428-4065