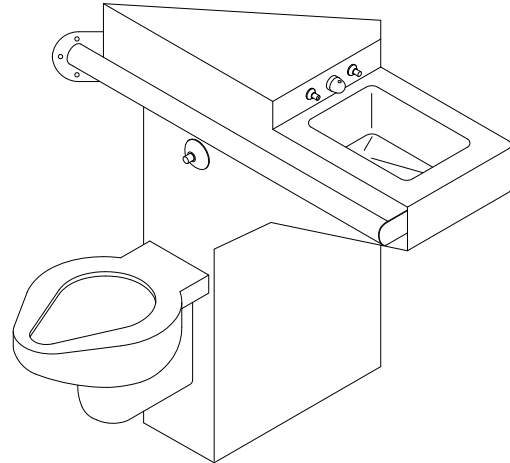


## 1545 Series Combination Units Handicap (ADA Compliant) 15" Wide, (45° Chase)

✓	MODEL NUMBER	FIXTURE BASE LOCATION	TOILET/LAV OUTLETS	TOILET SEAT LOCATION
	ECW-1545-L-ON-HC	ON-FLOOR	WALL/WALL	LEFT
	ECW-1545-R-ON-HC	ON-FLOOR	WALL/WALL	RIGHT
	ECW-1545-L-OFF-HC	OFF-FLOOR	WALL/WALL	LEFT
	ECW-1545-R-OFF-HC	OFF-FLOOR	WALL/WALL	RIGHT



### Recommended Specifications

Handicap combination lavatory/toilet shall be Willoughby Model No. **ECW-1545-\_\_\_-\_\_\_-HC** (select from table above).

Fixture shall be fabricated from 14 gauge, type 304 stainless steel. The construction shall be all-welded, with exposed stainless surfaces polished to a #4 satin finish.

Standard toilet shall include: elongated toilet bowl with contoured seat, integral crevice-free self-draining flushing rim with positive afterfill and fully enclosed 2 1/2" O.D. trap which shall maintain a minimum 2" seal and pass a 2 1/8" ball. Toilet shall be blowout type which requires 35 psi minimum flushing pressure.

Standard lavatory shall include: rectangular shaped bowl, 14" x 9 1/2" x 5" deep, stainless steel filler/bubbler, fast drain with air vent, and elbow waste (1 1/2" FIP).

Fixture shall withstand loadings up to 2,000 lbs. with no

measurable deflection and loadings up to 5,000 lbs. with no permanent damage.

Cabinet interior shall be sound deadened with fire-resistant material.

Anchoring shall be by standard 4-point system: 1/2" threaded rods, nuts and washers shall be furnished for walls up to 8" thick. Unit shall require chase area for installation and maintenance.

*On back to back fixture installations do not use standard cross type waste fitting: cross flow may result due to blowout jet action. Use sanitary or offset type waste fittings.*

Note: for 3 1/2 gallon flush, unit will pass a 2 5/8" ball.

Visit our website at <http://www.willoughby-ind.com>

2210 West Morris Street • P.O. Box 21217 • Indianapolis, IN 46221

(317) 638-2381 • Fax: (317) 638-6110 • (800) 428-4065

## MODEL NUMBER AND OPTIONS:

**1.) Toilet Waste Location:**

- ECW Wall
- 2.) Base Model Number:**
- 1545 15" Handicap Lav-Toilet Combination

**3.) Toilet Orientation:**

- L Angled Left
- R Angled Right

**4.) Fixture Mounting:**

- OF Off-Floor
- ON On-Floor

**5.) Bubbler Selection:**

- BP Penal Bubbler
- BC Code Bubbler
- BPH Anti-Suicide Bubbler

**6.) Flush Valve GPF's (Must Specify):**

- 1.6 GPF (Standard)
- 3.5 GPF

**7.) Valve Selection:**

- NV No Valve
- PS1 Single Temp. Pneu. Self-Closing
- PS2 Dual Temp. Pneu. Self-Closing
- PM1 Single Temp. Pneu. Metering
- PM2 Dual Temp. Pneu. Metering
- EL1 Single Temp. Electronic
- EL2 Dual Temp. Electronic
- PBH Anti-Suicide Pushbutton

**Valve Manifold Options:**

*Pneumatic or Electronic Only:*

- MA2
- MA3
- MA4

**8.) Lavatory Waste:**

- EB Elbow Waste (Standard)
- PT Integral P-Trap
- LWL Lavatory Waste Extension
- OV Lavatory Overflow
- CW1 Combined Waste w/o Clean-out
- CW2 Combined Waste w/ Clean-out
- SD Slow Drain
- LW1 Thru-Wall Extension, P-Trap & Clean-out
- LW2 Thru-Wall Extension & Clean-out

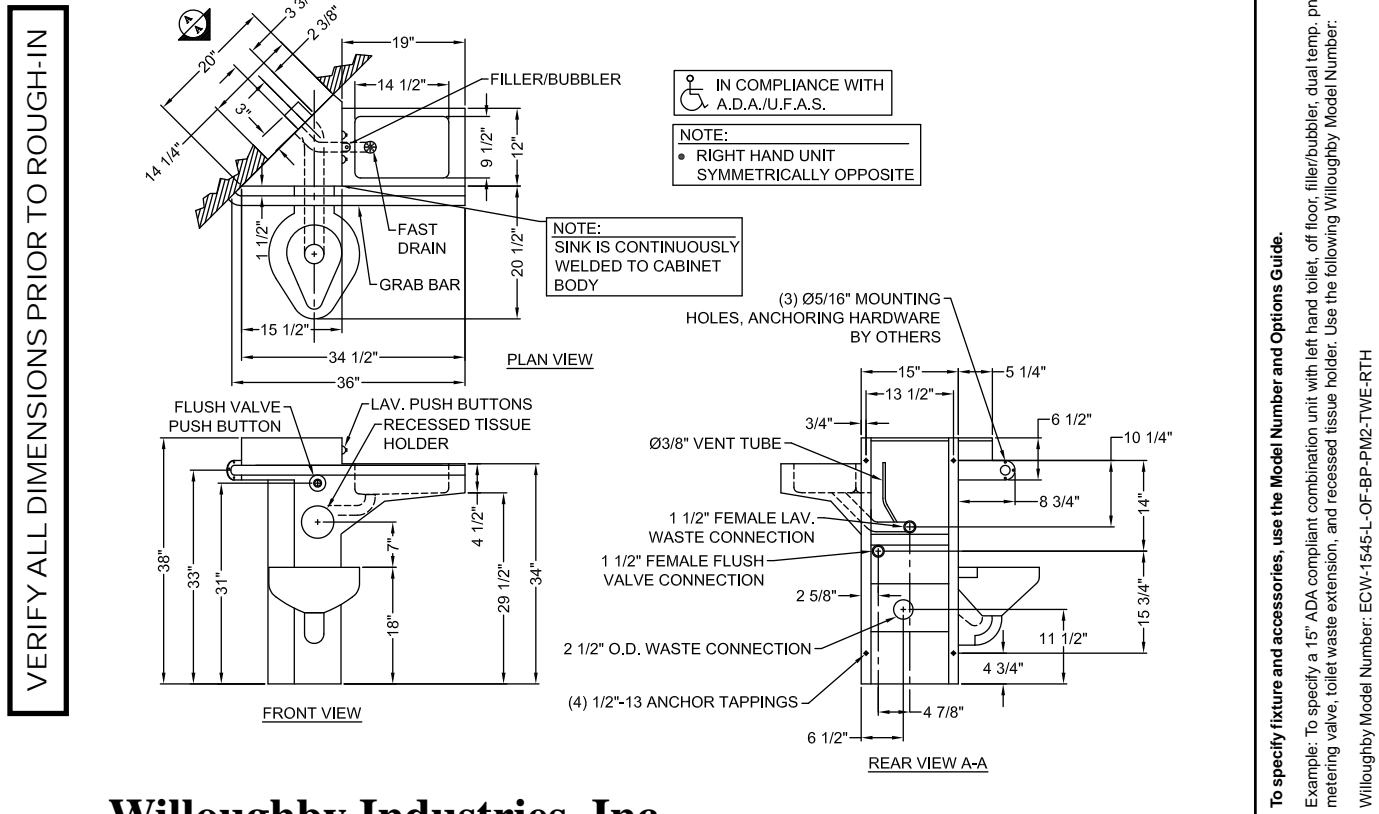
**9.) Toilet Waste:**

- TWE Toilet Waste Extension
- TW1 No-Hub Waste w/ 3" Clean-out (Requires Flanged Unit)
- TW2 No-Hub Waste w/o Clean-out (Requires Flanged Unit)
- TW3 Coupling & 3" Clean-out for TWE
- TW5 Coupling & 4" Clean-out for TWE
- PC3 Pinned Clean-out PVC-3"
- PCB3 Pinned Clean-out Brass-3"
- PC4 Pinned Clean-out PVC-4"
- PCB4 Pinned Clean-out Brass-4"
- WO3 3" Toilet P-Trap (3.5 GPF Only)
- COH Clean-out Hook
- GW Gasketed Waste

**10.) Options:**

- T4 Manual Reset Toilet Overflow Preventer (Requires Hydraulic Flush Valve)
- T4A Auto Reset Toilet Overflow Preventer (Requires Hydraulic Flush Valve)
- LF Low-Flow, 1.6 Gallon Flush
- HS Hinged Plastic Seat
  - Black
  - White
- RTH Recessed Tissue Holder (Specify Loc)
- TB1 Toothbrush Holder (Specify Loc)
- TB2 Dual Toothbrush Holder (Specify Loc)
- TH1 Single Towel Hook (Specify Loc)
- TH2 Dual Towel Hook (Specify Loc)
- HPS High Polish Seat
- VG Ventilation Grille (Specify Loc & Free Area)
- MT Metal Template
- WS Wall Sleeve
- TFE Toilet Flush Extension
- FVT Flush Valve Connection
- FV Flush Valve
- SK Anti-Suicide Skirt
- TG 12 Gauge Cabinet
- TSC Toilet Shipping Cover
- GBC Grab Bar Closure Panel
- PSI-DMB Single Temp Pneumatic Self-Closing ValveW/ Deck Mounted Bubbler
- Other: \_\_\_\_\_
- Other: \_\_\_\_\_

Approved For Manufacturing By: \_\_\_\_\_ Date: \_\_\_\_\_ Company: \_\_\_\_\_  
 Wall Thickness \_\_\_\_\_ Wall Type \_\_\_\_\_



# Willoughby Industries, Inc.