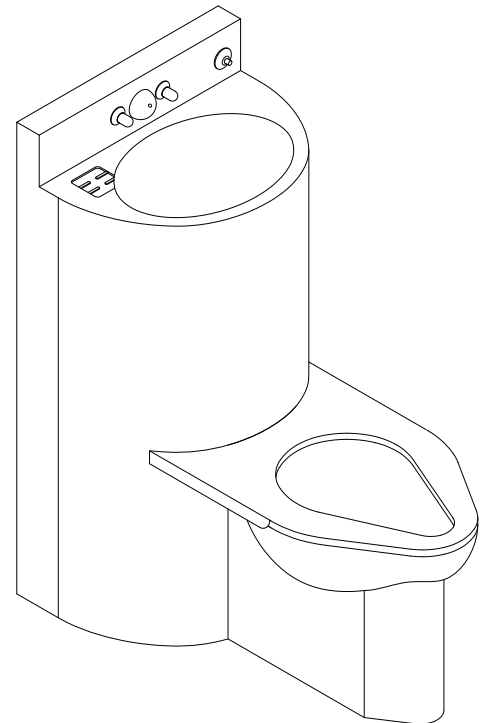


1806 Series Anti-Suicide Combination Units 18" Wide



✓	MODEL NUMBER	FIXTURE BASE LOCATION	TOILET/LAV. OUTLETS	TOILET SEAT LOCATION
	ECW-1806-C-ON	ON-FLOOR	WALL/WALL	CENTER
	ECW-1806-L-ON	ON-FLOOR	WALL/WALL	LEFT
	ECW-1806-R-ON	ON-FLOOR	WALL/WALL	RIGHT
	ECF-1806-C-ON	ON-FLOOR	FLOOR/WALL	CENTER
	ECF-1806-L-ON	ON-FLOOR	FLOOR/WALL	LEFT
	ECF-1806-R-ON	ON-FLOOR	FLOOR/WALL	RIGHT

Recommended Specifications

Combination lavatory/toilet shall be Willoughby Model No. **Ec ___-1806-___ - ___** (select from table above).

Fixture shall be fabricated from 14 gauge, type 304 stainless steel. The construction shall be an all welded, rounded cabinet with exposed stainless surfaces polished to a #4 satin finish.

Standard toilet shall include: to the floor anti-suicide skirt, elongated toilet bowl with contoured seat, integral crevice-free self-draining flushing rim with positive afterfill and fully enclosed 2 1/2" O.D. trap which shall maintain a minimum 2" seal and pass a 2 1/8" ball. Standard toilet shall be blowout type which requires 35 psi minimum flushing pressure.

Standard lavatory shall include: oval shaped bowl, 13" x 9 1/2" x 6" deep, stainless steel anti-suicide penal filler/bubbler, slow drain with air vent, elbow waste (1 1/2" F.I.P.) and self-draining soap dish.

Fixture shall withstand loadings up to 2,000 lbs. with no measurable deflection and loadings up to 5,000 lbs. with no permanent damage.

Cabinet interior shall be sound deadened with fire-resistant material.

Anchoring shall be by standard 4-point system. 1/2" threaded rods, nuts and washers shall be furnished for walls up to 8" thick. Unit shall require chase area for installation and maintenance.

On back to back fixture installations, do not use standard cross type waste fitting: cross flow may result due to blowout jet action. Use sanitary or offset type waste fittings.

Note: for 3 1/2 gallon flush, unit will pass a 2 5/8" ball.

MADE IN THE U.S.A.



visit our website at <http://www.willoughby-ind.com>

5105 West 78th Street • Indianapolis, IN. 46268
(317) 638-2381 • Fax: (317) 638-6110 • (800) 428-4065

MODEL NUMBER AND OPTIONS:

1.) Toilet Waste Location:

- ECW Wall
- ECF Floor

2.) Base Model Number:

- 1806 18" Lav-toilet Combination

3.) Toilet Orientation:

- L Angled Left
- R Angled Right
- C Centered

4.) Fixture Mounting:

- ON On-Floor

5.) Bubbler Selection:

- BPH Anti-Suicide Bubbler

6.) Flush Valve GPF'S (Must Specify):

- 1.6 GPF (Low consumption)
- 3.5 GPF

7.) Valve Selection:

- NV No Valve
- PS1 Single Temp. Pneu. Self-Closing
- PS2 Dual Temp. Pneu. Self-Closing
- PM1 Single Temp. Pneu. Metering
- PM2 Dual Temp. Pneu. Metering
- EL1 Single Temp. Electronic
- EL2 Dual Temp. Electronic
- PBH Anti-Suicide PushButton

Valve Manifold Options:

Pneumatic or Electronic Only:

- MA2
- MA3
- MA4

8.) Lavatory Waste:

- EB Elbow Waste (standard)
- PT Integral 'P' Trap
- LW2 Thru-Wall Extension & Clean-Out
- LW1 Thru-Wall Extension, 'P' Trap
- LW2 Thru-Wall Extension & Clean-Out
- LW2 Thru-Wall Extension & Clean-Out

9.) Toilet Waste:

- TWE Toilet Waste Extension
- TW1 No-Hub Waste w/ 3" Clean-Out (Requires Flanged Unit)
- TW2 No-Hub Waste w/o Clean-Out (Requires Flanged Unit)
- TW3 Coupling & 3" Clean-Out For TWE
- TW4 Floor Outlet Waste Connection
- TW5 Coupling & 4" Clean-Out For TWE
- PC3 Pinned Clean-Out Plug PVC-3"
- PCB3 Pinned Clean-Out Plug Brass-3"
- PC4 Pinned Clean-Out Plug PVC-4"
- PCB4 Pinned Clean-Out Plug Brass-4"
- WO3 3" Toilet 'P' Trap (3.5 GPF Only)
- COH Clean-Out Hook
- GW Gasketed Waste

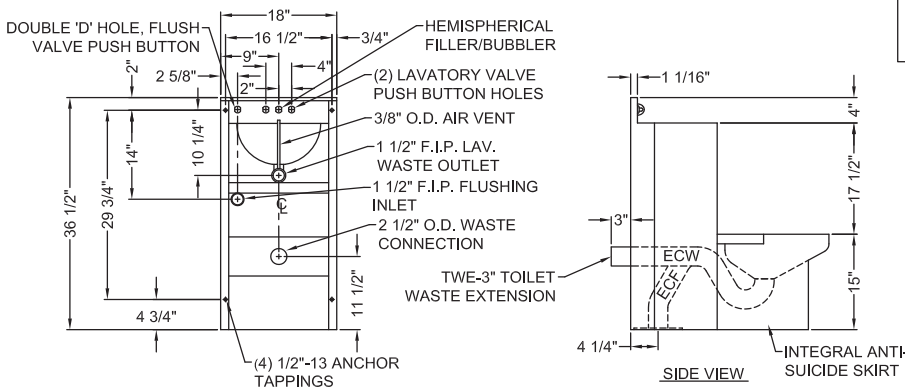
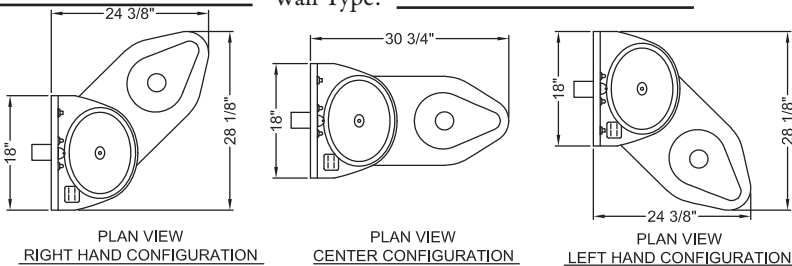
10.) Options

- T4 Manual Reset Toilet Overflow Preventer (Requires Hydraulic Flush Valve)
- T4A Auto Reset Toilet Overflow Preventer (Requires Hydraulic Flush Valve)
- RTH Recessed Tissue Holder (Specify Loc.)
- TH1 Single Towel Hook (Specify Loc.)
- TH2 Dual Towel Hook (Specify Loc.)
- HPS High Polish Seat
- MT Metal Template
- WS Wall Sleeve
- TFE Toilet Flush Extension
- FVT Flush Valve Connection
- FV Flush Valve
- TG 12 Gauge Cabinet
- TSC Toilet Shipping Cover
- Other _____
- Other _____

Approved For Manufacturing By: _____ Date: _____ Company: _____

Wall Thickness: _____

Wall Type: _____



BACK VIEW, ROUGH-IN LOCATIONS
RIGHT AND CENTER UNITS SHOWN, LEFT
HAND ROUGH-INS ARE SYMMETRICALLY OPPOSITE

VERIFY ALL DIMENSIONS PRIOR TO ROUGH-IN

To specify fixture and accessories, use the Model Number and Options Guide.
Example: To specify an 18" combination unit with left hand toilet, on floor, anti-suicide bubbler, dual temp, 1.6 GPF, pneumatic metering valve, integral 'P' trap, toilet waste extension & recessed tissue holder. Use the following Willoughby Model Number:
Willoughby Model Number: ECW-1806-L-ON-BPH-1.6-PM2-PT-TWE-RTH

Willoughby Industries, Inc.

MADE IN THE U.S.A.



Willoughby reserves the right to make changes in design and dimensions without formal notice and without incurring obligation. Verify all dimensions and tolerances with factory prior to using for any purpose.