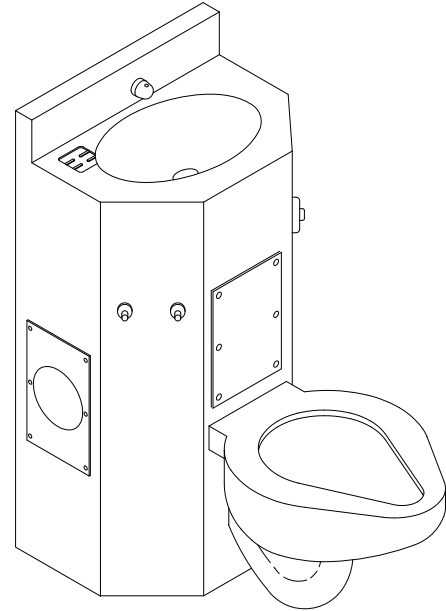


1846-FA Series Front Access Combination Units 18" Wide

✓	MODEL NUMBER	FIXTURE BASE LOCATION	TOILET/LAV OUTLETS	TOILET SEAT LOCATION
	ECW-1846-C-ON-FA	ON-FLOOR	WALL/WALL	CENTER
	ECW-1846-L-ON-FA	ON-FLOOR	WALL/WALL	LEFT
	ECW-1846-R-ON-FA	ON-FLOOR	WALL/WALL	RIGHT
	ECF-1846-C-ON-FA	ON-FLOOR	FLOOR/WALL	CENTER
	ECF-1846-L-ON-FA	ON-FLOOR	FLOOR/WALL	LEFT
	ECF-1846-R-ON-FA	ON-FLOOR	FLOOR/WALL	RIGHT



Recommended Specifications

Front access combination lavatory/toilet shall be Willoughby Model No. **EC___-1846-___-ON-FA** (select from table above).

Fixture shall be fabricated from 14 gauge, type 304 stainless steel. The construction shall be all-welded, with exposed stainless surfaces polished to a #4 satin finish.

Standard toilet shall include: elongated toilet bowl with contoured seat, integral crevice-free self-draining flushing rim with positive afterfill and fully enclosed 2 1/2" O.D. trap which shall maintain a minimum 2" seal and pass a 2 1/8" ball. Toilet shall be blowout type which requires 35 psi minimum flushing pressure. Integral hydraulic flush valve shall be factory installed.

Standard lavatory shall include: oval shaped bowl, 13" x 9 1/2" x 6" deep, stainless steel penal filler/bubbler, fast drain with air vent, slip-joint brass union p-trap (1 1/2" NPT), factory installed (PM-2) dual temperature pneumatic metering valve assembly and self-draining soap dishes.

Removable access panels, attached with security screws, shall provide access to fixture interior.

Fixture shall withstand loadings up to 2,000 lbs. with no measurable deflection and loadings up to 5,000 lbs. with no permanent damage.

Anchoring shall be from the front, anchoring holes provided. Anchoring hardware by others. Unit requires no chase area for installation and maintenance.

Note: for 3 1/2 gallon flush, unit will pass a 2 5/8" ball.

Made In The **U.S.A.**



Visit our website at <http://www.willoughby-ind.com>

2210 West Morris Street • P.O. Box 21217 • Indianapolis, IN 46221

(317) 638-2381 • Fax: (317) 638-6110 • (800) 428-4065

MODEL NUMBER AND OPTIONS:

1.) Toilet Waste Location:

- ECW Wall
- ECF Floor

2.) Base Model Number:

- 1846-FA 18" Front Access Combination

3.) Toilet Orientation:

- L Angled Left
- R Angled Right
- C Centered

4.) Fixture Mounting:

- ON On-Floor

5.) Bubblers Selection:

- BP Penal Bubbler
- BC Code Bubbler
- FL Lav/Filler
- BPH Anti-Suicide Bubbler

6.) Flush Valve GPF's (Must Specify):

- 1.6 GPF (Low Consumption)
- 3.5 GPF

7.) Valve Selection:

- NV No Valve
- PS1 Single Temp. Pneu. Self-Closing
- PS2 Dual Temp. Pneu. Self-Closing
- PM1 Single Temp. Pneu. Metering
- PM2 Dual Temp. Pneu. Metering
- EL1 Single Temp. Electronic
- EL2 Dual Temp. Electronic
- PBH Anti-Suicide Pushbutton

8.) Lavatory Waste:

- OV Lavatory Overflow
- CW1 Combined Waste w/o Clean-out
- CW2 Combined Waste w/ Clean-out
- SD Slow Drain

9.) Toilet Waste:

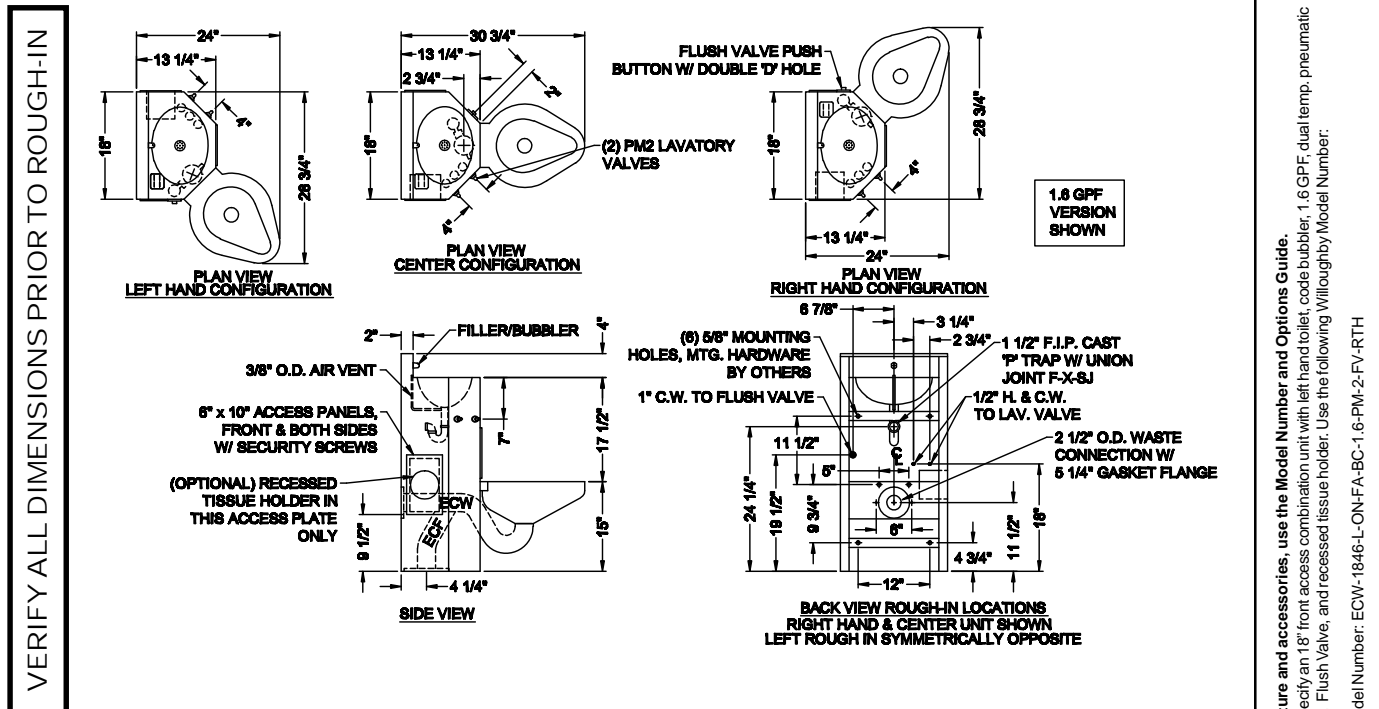
- TWE Toilet Waste Extension
- TW4 Floor Outlet Waste Conn.
- PC3 Pinned Clean-out Plug-3"
- PCB3 Pinned Clean-out Plug Brass-3"
- PC4 Pinned Clean-out Plug PVC-4"
- PCB4 Pinned Clean-out Plug Brass-4"
- WO3 3" Toilet P-Trap (3.5 GPF Only)
- COH Clean-out Hook
- GW Gasketed Waste

10.) Options:

- T4 Manual Reset Toilet Overflow Preventer (Requires Hydraulic Flush Valve)
- T4A Auto Reset Toilet Overflow Preventer (Requires Hydraulic Flush Valve)
- HS Hinged Plastic Seat
 - Black
 - White
- RTH Recessed Tissue Holder (Specify Loc)
- ISH Integral Shelf

- TB1 Toothbrush Holder (Specify Loc)
- TB2 Dual Toothbrush Holder (Specify Loc)
- TH1 Single Towel Hook (Specify Loc)
- TH2 Dual Towel Hook (Specify Loc)
- HPS High Polish Seat
- VG Ventilation Grille (Specify Loc & Free Area)
- MT Metal Template
- WS Wall Sleeve
- FV Flush Valve (Standard)
- SK Anti-Suicide Skirt
- TG 12 Gauge Cabinet
- TSC Toilet Shipping Cover
- Other: _____
- Other: _____

Approved For Manufacturing By: _____ Date: _____ Company: _____
 Wall Thickness _____ Wall Type _____



To specify fixture and accessories, use the Model Number and Options Guide.
 Example: To specify an 18" front access combination unit with left hand toilet, code bubbler, 1.6 GPF, dual temp. pneumatic metering valve, Flush Valve, and recessed tissue holder. Use the following Willoughby Model Number:
 Willoughby Model Number: ECW-1846-L-ON-FA-BC-1.6-PM-2-FV-RTH



Willoughby Industries, Inc.

Made In The U.S.A.