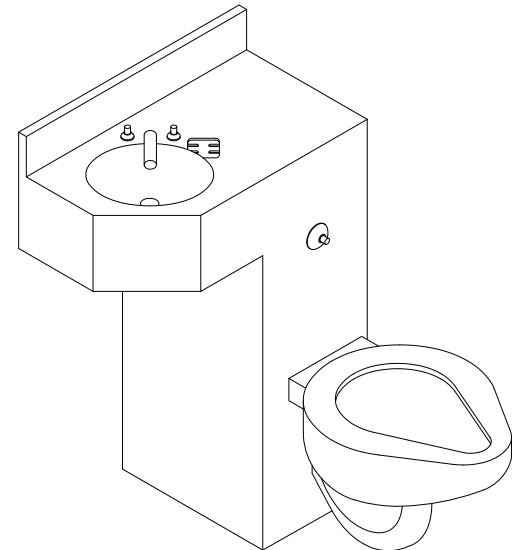


## 2897 Series Combination Units Handicap (Not A.D.A) 28" Wide, Straight Toilet Bowl



✓	MODEL NUMBER	FIXTURE BASE LOCATION	TOILET/LAV OUTLETS	TOILET SEAT LOCATION
	ECW-2897-L-ON-HC	ON-FLOOR	WALL/WALL	LEFT
	ECW-2897-R-ON-HC	ON-FLOOR	WALL/WALL	RIGHT
	ECW-2897-L-OF-HC	OFF-FLOOR	WALL/WALL	LEFT
	ECW-2897-R-OF-HC	OFF-FLOOR	WALL/WALL	RIGHT
	ECF-2897-L-ON-HC	ON-FLOOR	FLOOR/WALL	LEFT
	ECF-2897-R-ON-HC	ON-FLOOR	FLOOR/WALL	RIGHT

### Recommended Specifications

Handicap combination lavatory/toilet shall be Willoughby Model No. **EC** \_\_\_-**2897**-\_\_\_-\_\_\_-**HC** (select from table above).

Fixture shall be fabricated from 14 gauge, type 304 stainless steel. The construction shall be all-welded, with exposed stainless surfaces polished to a #4 satin finish.

Standard toilet shall include: elongated toilet bowl with contoured seat, integral crevice-free self-draining flushing rim with positive afterfill and fully enclosed 2 1/2" O.D. trap which shall maintain a minimum 2" seal and pass a 2 1/8" ball. Toilet shall be blowout type which requires 35 psi minimum flushing pressure.

Standard lavatory shall include: oval shaped bowl, 13" x 9 1/2" x 5" deep, stainless steel deck mounted spout, fast drain with air vent, elbow waste (1 1/2" FIP), and self-draining soap dishes.

Fixture shall withstand loadings up to 2,000 lbs. with no measurable deflection and loadings up to 5,000 lbs. with no permanent damage.

Cabinet interior shall be sound deadened with fire-resistant material.

Anchoring shall be by standard 6-point system: 1/2" threaded rods, nuts and washers shall be furnished for walls up to 8" thick. Unit shall require chase area for installation and maintenance.

*On back to back fixture installations do not use standard cross type waste fitting: cross flow may result due to blowout jet action. Use sanitary or offset type waste fittings.*

Note: for 3 1/2 gallon flush, unit will pass a 2 5/8" ball.

Visit our website at <http://www.willoughby-ind.com>

2210 West Morris Street • P.O. Box 21217 • Indianapolis, IN 46221

(317) 638-2381 • Fax: (317) 638-6110 • (800) 428-4065

