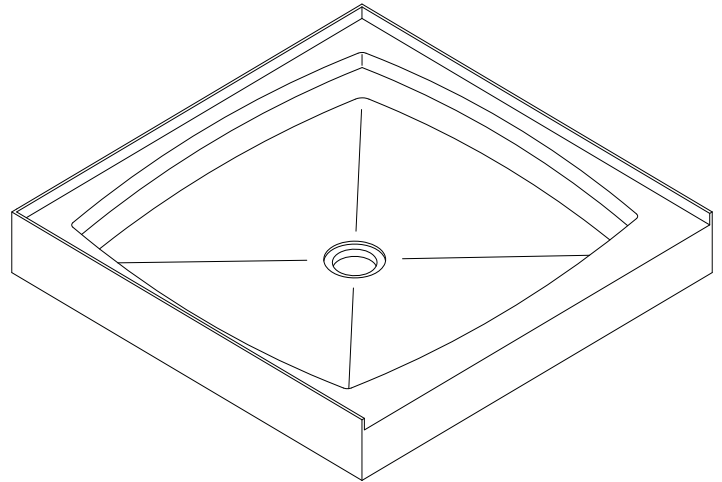


Aquasurf® Solid Surface Shower Receptors Square, Rectangular

✓	MODEL NUMBER	SIZE
	AS-S3636	36" x 36" SQUARE
	AS-S3648	36" x 48" RECTANGULAR
	AS-S3660	36" x 60" RECTANGULAR



(36" x 36" SQUARE SHOWN)

Recommended Specifications _____

Solid Surface Shower Receptor shall be Aquasurf® Solid Surface Products monolithic cast model #AS-S _____ (select from table).

Aquasurf® Solid Surface Products Shower Receptors are designed for single and multiple applications. The Shower Receptor shall be a monolithic cast component of Aquasurf® Solid Surface Products polymer materials, composed of fully densified aluminum trihydrate mineral fillers, homogeneously blended in an engineered, UV stabilized, acrylic modified polyester resin.

Shower Receptor shall have integrally molded support bracing on bottom, positive sloped non-slip textured interior floor and integral perimeter flange. Aquasurf® Solid Surface Products Shower Receptors shall incorporate integral threshold, curb and 3 1/2" standard drain opening (for 2" no-hub connection).

Shower Receptor shall be available in Solid Color or Granite Pattern (indicate color selection). Solid Surface Shower Receptor shall comply with ANSI Z124.2.

Vandal Resistance:

Aquasurf® Solid Surface Products Shower Receptors offer high impact, chip, scratch and burn resistance. Topical surface damages can easily be repaired with minor abrasive applications (3M #7448 Scotch-Brite™). The viral, bacteriological, chemical, mildew and mold resistance provides a sanitary, easily cleaned, durable, low maintenance component.

Optional Features:

Aquasurf® Solid Surface Products wall panel kits with overlay battens, coved corners and soap/shampoo assemblies provide all components required to complete shower area enclosure (refer to selection sheet for unit designation).

MADE IN THE U.S.A.



visit our website at <http://www.willoughby-ind.com>
5105 West 78th Street • Indianapolis, IN. 46268
(317) 638-2381 • Fax: (317) 638-6110 • (800) 428-4065

MODEL NUMBER AND OPTIONS:

1.) Receptacle Type:

- AS-S3636 36x36 Square Pan
- AS-S4836 48x36 Rectangular Pan
- AS-S6036 60x36 Rectangular Pan

2.) Wall Kits (3/8" Panels):

- ASK-S363672 (3)-36x72 Panels
- ASK-S483672 (2)-36x72 Panels
(1)-48x72 Panels
- ASK-S603672 (2)-36x72 Panels
(2)-29x72 Panels
(1)-ASB0272 Batten Trim

3.) Commercial Wall Kits (1/4" Panels):

- ASK-S363684 (3)-36x84 Panels
- ASK-S483684 (2)-36x84 Panels
(2)-24x84 Panels
(1)-ASB0296 Batten Trim
- ASK-S603684 (2)-36x84 Panels
(2)-29x84 Panels
(1)-ASB0296 Batten Trim

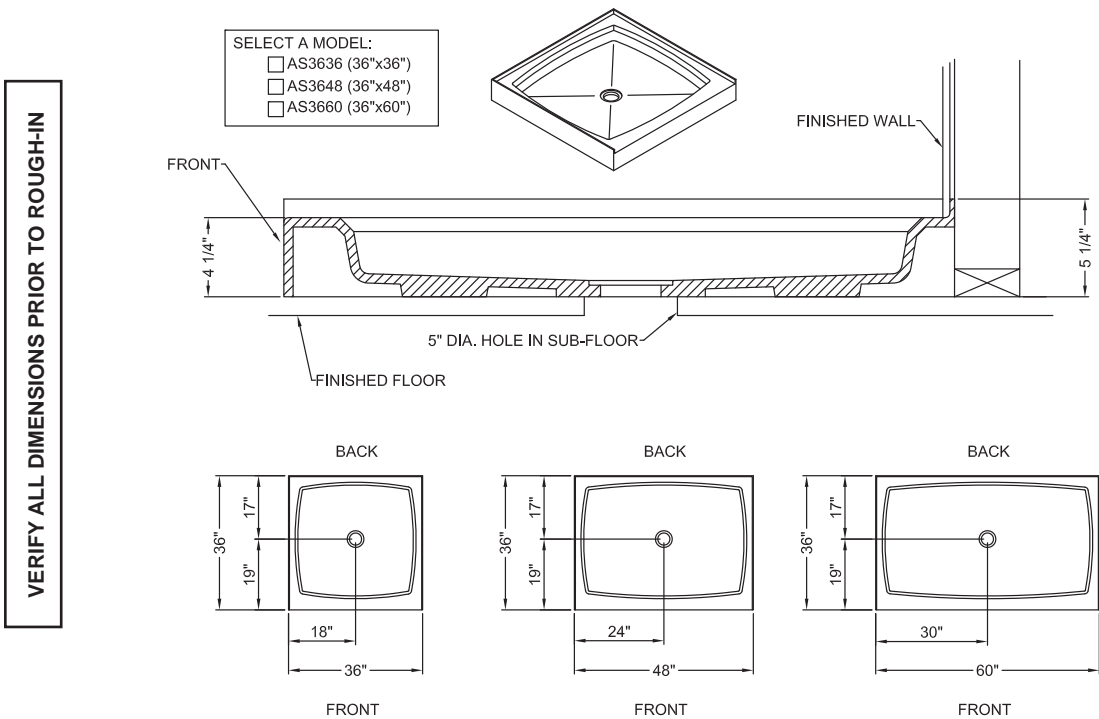
4.) Accessories:

- AS-ISCR Inside Corner Overlay Trim
- AS-IS-CV8 Inside Corner Cove Overlay
- ASK-UP84 Upgrade Kit To 84"
- AS-SSH Soap/Shampoo Holder

5.) Solid Surface Color:

- B1 Bone
- GW1 Glacier White
- GG1 Grey Granite
- SS1 Sandstone
- WG1 White Granite
- BG1 Black Granite
- NB1 Nocturnal Blue
- RC1 Red Coral
- SG1 Sea Green

Approved For Manufacturing By: _____ Date: _____ Company: _____
 Wall Thickness: _____ Wall Type: _____



To specify fixture and accessories, use the Model Number and Options Guide.

Example: To specify a 36 x 36 square pan with inside corner overlay trim in the color of glacier white. Use the following Willoughby Model Number: Willoughby Model Number: AS-S3636-AS-ISCR-GW1.

Willoughby Industries, Inc.

MADE IN THE U.S.A.



Willoughby reserves the right to make changes in design and dimensions without formal notice and without incurring obligation. Verify all dimensions and tolerances with factory prior to using for any purpose.