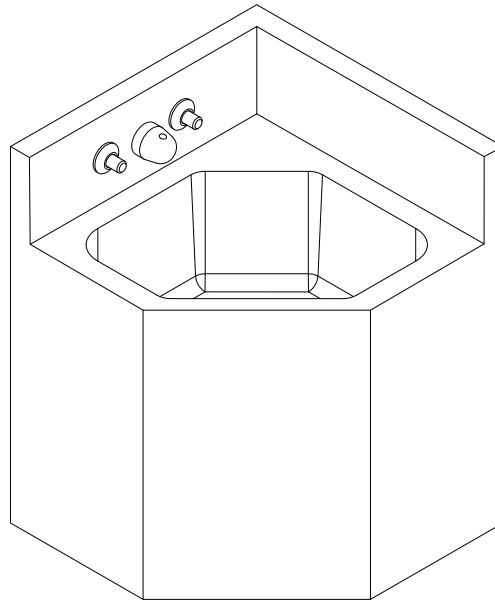


CS-1013-46

Corner Lavatory



✓	MODEL NUMBER	CORNER MOUNTING
	CS-1013-46-L	LEFT HAND
	CS-1013-46-R	RIGHT HAND

Recommended Specifications

Corner lavatory shall be Willoughby Model No. **CS-1013-46-___**.

Fixture shall be fabricated from 14 gauge, type 304 stainless steel. The construction shall be all-welded, with exposed stainless surfaces polished to a #4 satin finish.

Standard lavatory shall include: multi-sided bowl, 12 3/4" x 8 1/4" x 5" deep, stainless steel penal filler/bubbler, fast drain with air vent, elbow waste (1 1/2" FIP), and self-draining soap dish.

Cabinet interior shall be sound deadened with fire-resistant material.

Anchoring shall be by standard 4-point system: threaded rods, nuts and washers shall be furnished for walls up to 8" thick. Unit shall require chase area for installation and maintenance.

Made In The U.S.A.



Visit our website at <http://www.willoughby-ind.com>

2210 West Morris Street • P.O. Box 21217 • Indianapolis, IN 46221
(317) 638-2381 • Fax: (317) 638-6110 • (800) 428-4065

MODEL NUMBER AND OPTIONS

1.) Lavatory Type:

CS

2.) Base Model Number:

1013-46 13" Corner Lavatory

3.) Bubblers or Spout Selection:

- BP Penal Bubbler
- BC Code Bubbler
- FL Lav/Filler
- BPH Hemispherical Penal Bubbler

4.) Cabinet Mounting:

- L Left Hand
- R Right Hand

5.) Valve Selection:

- NV No Valve (Specify Hole Punching)
- PS1 Single Temp. Pneu. Self-Closing
- PS2 Dual Temp. Pneu. Self-Closing
- PM1 Single Temp. Pneu. Metering

PM2 Dual Temp. Pneu. Metering

EL1 Single Temp. Electronic

EL2 Dual Temp. Electronic

PBH Hemispherical Pushbutton

Valve Manifold Options:

Pneumatic or Electronic only:

MA2

MA3

MA4

6.) Lavatory Waste:

EB Elbow Waste (Standard)

PT Integral P-Trap

LWL Lavatory Waste Extension

SD Slow Drain

LW1 Thru-Wall Extension, P-Trap

LW2 Thru-Wall Extension & Clean-out

7.) Options:

MT Metal Template

TB1 Toothbrush Holder

TB2 Dual Toothbrush Holder (Specify Location)

TH1 Single Towel Hook (Specify Location)

TH2 Dual Towel Hook (Specify Location)

TH2 Dual Towel Hook (Specify Location)

TH2 Dual Towel Hook (Specify Location)

TH2 Dual Towel Hook (Specify Location)

TH2 Dual Towel Hook (Specify Location)

FA Front Access Fixture

WS Wall Sleeve

VG Ventilation Grille (Specify Location and Free Area)

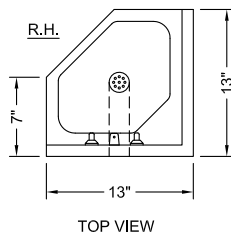
Other: _____

Other: _____

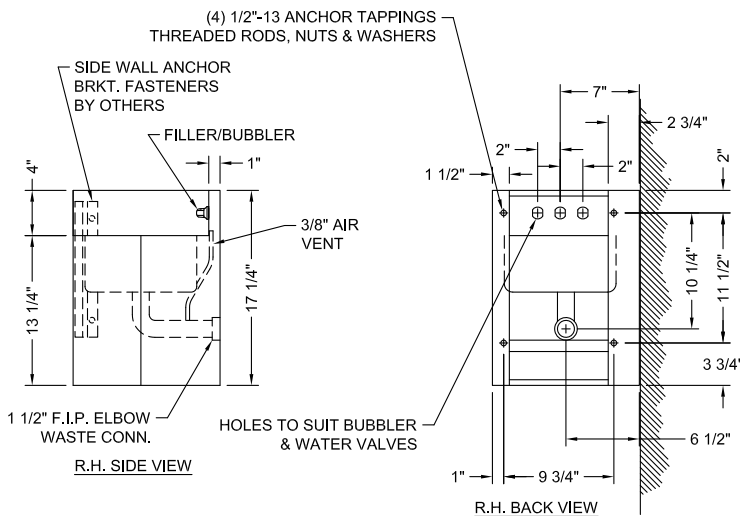
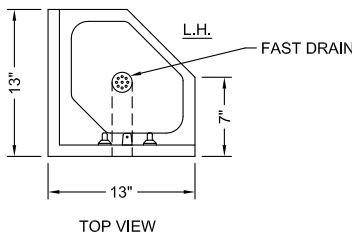
Drawing Approved For Manufacturing By: _____ Date: _____ Company: _____

Wall Thickness: _____ Wall Type: _____

CS-1013-46R



CS-1013-46L



VERIFY ALL DIMENSIONS PRIOR TO ROUGH-IN

To specify fixture and accessories, use the Model Number and Options Guide.
 Example: To specify a CS-1013-46 left hand corner lavatory with code bubbler, dual temp. pneumatic metering valve, and single towel hook. Use the following Willoughby Model Number:
 Willoughby Model Number: CS-1013-46-L-BC-PM2-TH1



Made In The U.S.A.

Willoughby Industries, Inc.