

CSS-2419 Service Sink

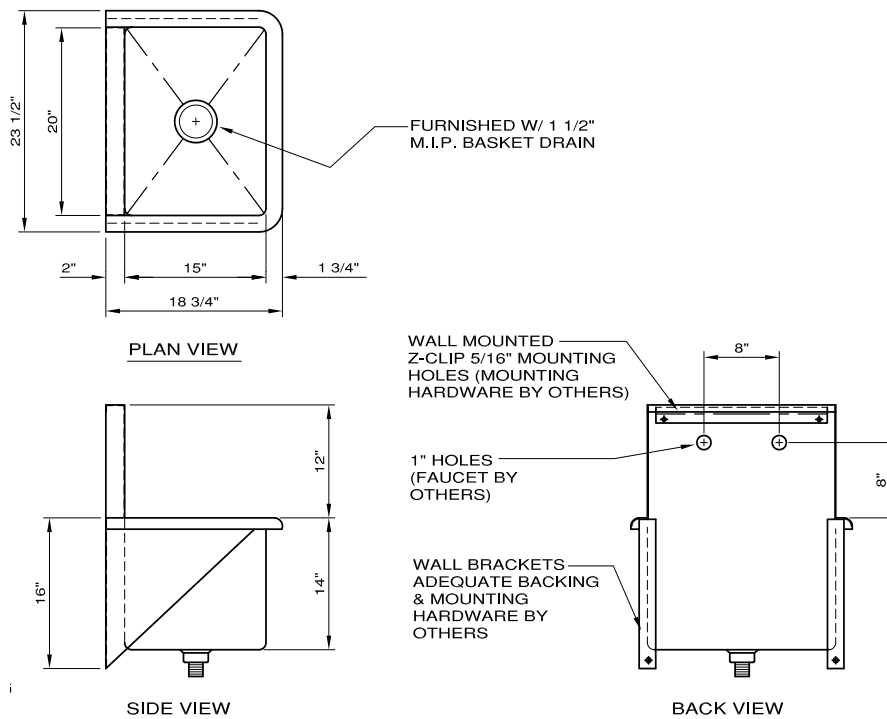
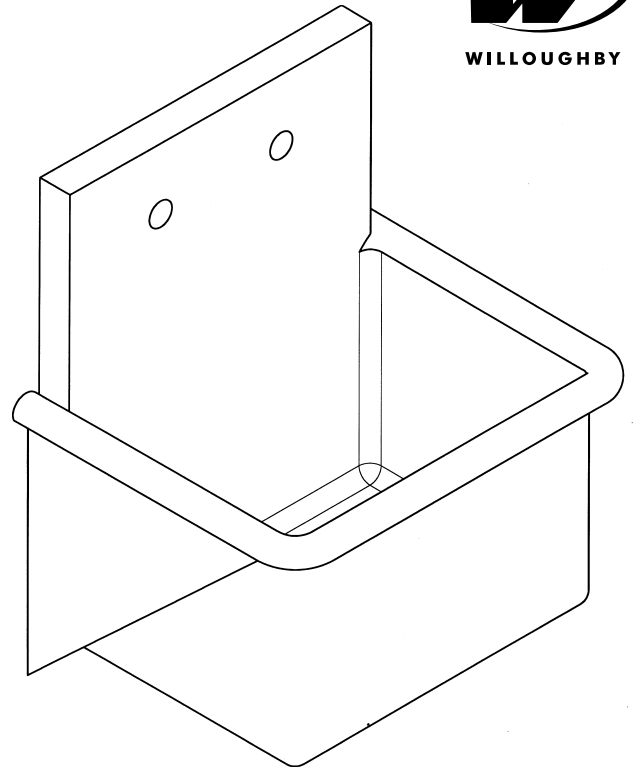
Recommended Specifications _____

Service sink shall be Willoughby Model No. CSS-2419.

Fixture shall be fabricated from 14 gauge, type 304, stainless steel. The construction shall be all-welded, with exposed exterior stainless steel surfaces polished to a #4 satin finish.

Standard equipment shall include: rectangular shaped, 20"x15"x14" deep sink bowl, and 1 1/2" M.I.P. basket drain. Faucet by others.

Anchoring shall be from the front with "Z" clips and anchoring holes, anchoring hardware by others. Unit requires no chase area for installation and maintenance.



VERIFY ALL DIMENSIONS PRIOR TO ROUGH-IN

Made In The **U.S.A.**



Visit our website at <http://www.willoughby-ind.com>

2210 West Morris Street • P.O. Box 21217 • Indianapolis, IN 46221

(317) 638-2381 • Fax: (317) 638-6110 • (800) 428-4065