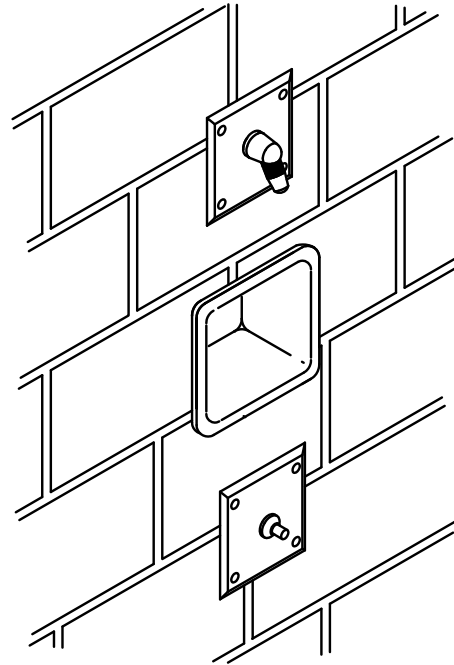


CWBIS Series Front Mounted Built-in Shower

✓	MODEL NUMBER	VALVE TYPE
	CWBIS-PM1	SINGLE TEMP PNEU. METERING VALVE
	CWBIS-PM2	DUAL TEMP PNEU. METERING VALVE
	CWBIS-PB	PRESSURE BALANCING
	CWBIS-TSV	THERMOSTATIC
	CWBIS-H	SINGLE TEMP COMPRESSION
	CWBIS-HC	HOT & COLD COMPRESSION
	CWBIS-NV	NO VALVE
	CWBIS-EL1	SINGLE TEMP ELEC. METERING VALVE



(Some options may be shown)

Recommended Specifications _____

Front mounted built-in shower shall be Willoughby Model No. **CWBIS-**____ (select from table above).

Shower head and valve push button face plates shall be fabricated from 16 gauge type 304 stainless steel with exposed surfaces polished to a satin finish,

Standard equipment shall include: shower valve (as selected from table above), check stop(s), 2.5 GPM flow control, and Willoughby APS Vandal Resistant Shower Head.

Anchoring of stainless steel panels shall be from the front. Wall anchors by others.

Made In The U.S.A.



Visit our website at <http://www.willoughby-ind.com>

2210 West Morris Street • P.O. Box 21217 • Indianapolis, IN 46221

(317) 638-2381 • Fax: (317) 638-6110 • (800) 428-4065

MODEL NUMBER AND OPTIONS:

1.) Shower Head Height

(Not Part of Model Number):

- 6'-0"
- 5'-6"
- 5'-0"
- 4'-0"
- Other _____"

4.) Shower Head Options:

- APS Adjustable Penal Showerhead (Standard)
- NPS Non-Adjustable Penal Showerhead
- UBJ Universal Ball Joint Shower Head
- UDBJ Up Down Ball Joint Shower Head
- LBJ Lockable Ball Joint Shower Head
- FX Flexshower

2.) Base Model Number:

- CWBIS Front Mounted Built-in Shower

5.) Options:

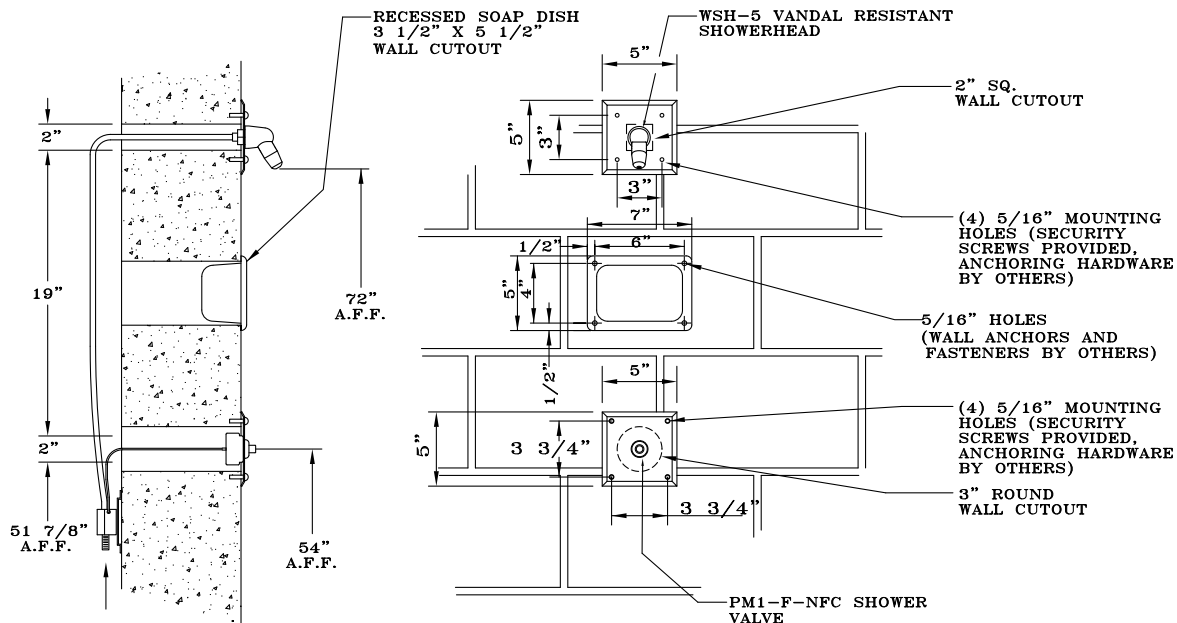
- BF Barrier Free Station
- GB Grab Bar (Specify Dimensions)
- GX Individual Checkstops
- HL Hi-Lo (2 Mounting Brackets for Flexshower)
- RD Recessed Soap Dish
- SD Surface Mounted Soap Dish
- PS Pipe Shroud (Specify Length)
- Other: _____
- Other: _____

3.) Valve Selection:

- PM1 Single Temp. Pneu. Metering
- PM2 Dual Temp. Pneu. Metering
- PB Pressure Balancing
- TSV Thermostatic Mixing Valve
- H Single Temp. Compression
- HC Dual Temp. Compression
- NV No Valve
- EL1 Single Temp. Electronic

Drawing Approved For Manufacturing By: _____ Date: _____ Company: _____
 Wall Thickness: _____ Wall Type: _____

VERIFY ALL DIMENSIONS PRIOR TO ROUGH-IN



To specify fixture and accessories, use the Model Number and Options Guide.
 Example: To specify a rear mounted built-in shower panel with single temp. pneumatic metering valve and recessed mounted soap dish. Use the following Willoughby Model Number:
 Willoughby Model Number: WBIS-PM1-RD

Made In The U.S.A.



Willoughby Industries, Inc.