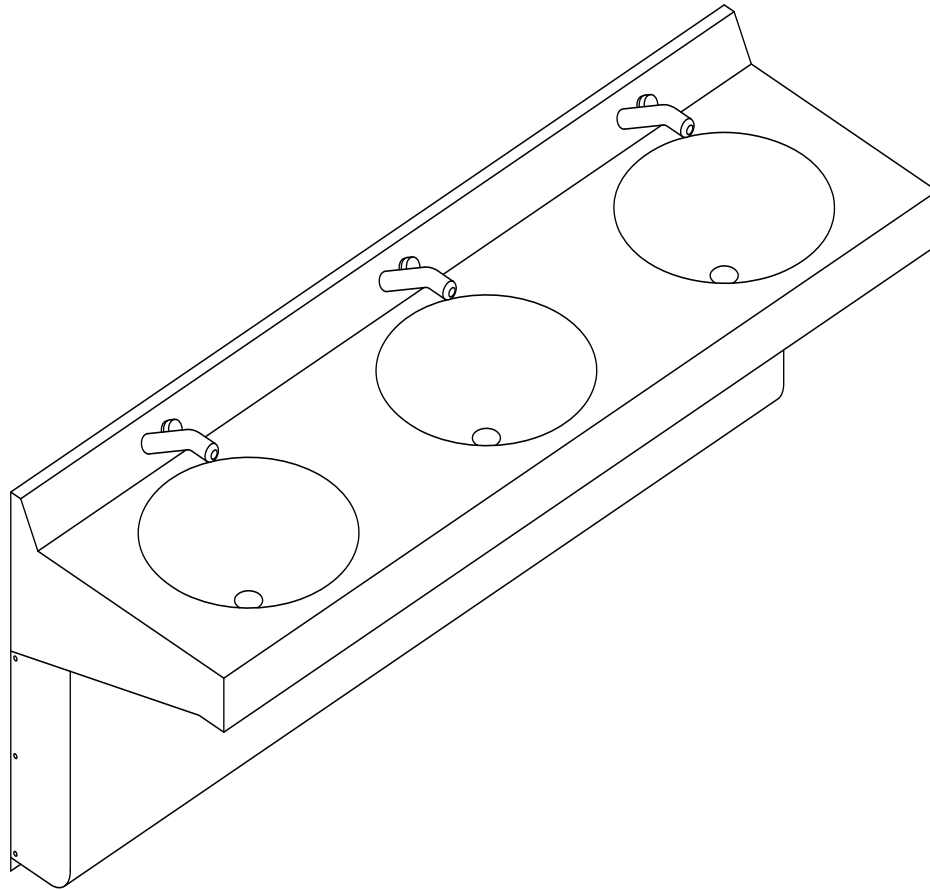


## CWLD

### Lavatory Deck - Straight Front

✓	MODEL NUMBER		SIZE
	CWLD-1	1 station lav deck	24" x 21 1/2"
	CWLD-2	2 station lav deck	48" x 21 1/2"
	CWLD-3	3 station lav deck	72" x 21 1/2" (shown)
	CWLD-4	4 station lav deck	96" x 21 1/2"



Recommended Specifications \_\_\_\_\_

Lavatory deck shall be Willoughby Model No. CWLD-\_\_\_\_\_ (select model from table above).

Fixture shall be fabricated from 14 gauge, type 304 stainless steel. The construction shall be all-welded, with exposed surfaces polished to a #4 satin finish. Lavatory bowls are welded integrally.

Standard equipment shall include: integrally welded 15 3/4" diameter by 5" deep lavatory bowl, integral fast drain, 1 1/2" elbow waste terminating with tailpiece type connection for installation of slip joint trap (trap by others), and stainless steel enclosed bottom. Anchoring shall be from the front with a mounting bracket and anchoring holes provided. Anchoring hardware by others. Wall requires adequate backing to support lavatory deck. Unit requires no chase for installation or maintenance.

Made In The **U.S.A.**



Visit our website at <http://www.willoughby-ind.com>

2210 West Morris Street • P.O. Box 21217 • Indianapolis, IN 46221

(317) 638-2381 • Fax: (317) 638-6110 • (800) 428-4065

## MODEL NUMBER AND OPTIONS:

### 1.) Lavatory Deck Model:

- CWLD-1 1 station lav deck
- CWLD-2 2 station lav deck
- CWLD-3 3 station lav deck
- CWLD-4 4 station lav deck

### 2.) Mounting

- OF Off Floor mounted
- FLR Floor mounted

### 3.) Bowl type

- R Round
- O Oval

### 4.) Valve options:

- PM1 Single temperature pushbutton pneumatic valve
- EL1 Single temperature pushbutton electronic valve
- IR Infra red sensor - hard wire (includes transformer, deck mounted spout only)
- BO Battery operated infra red sensor (includes transformer, deck mounted spout only)
- NV Faucet by others, 4" centerset faucet requires use of oval bowl

### 5.) Spout Options:

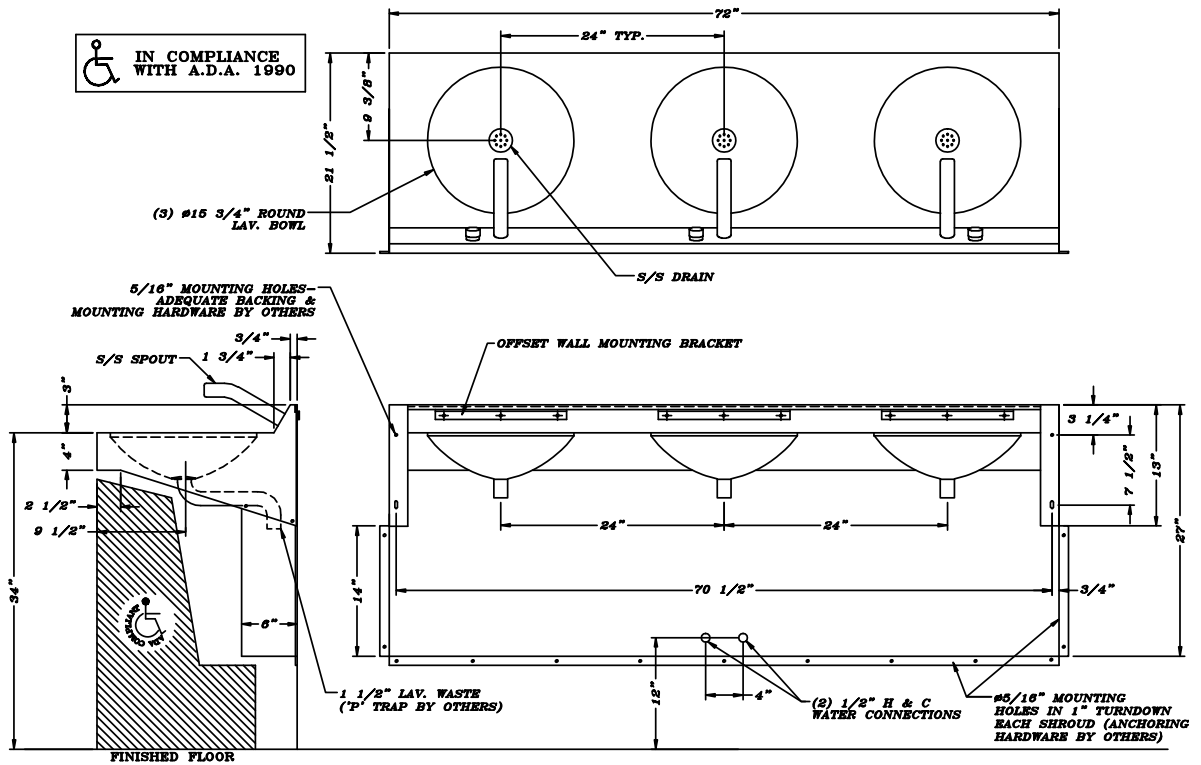
- DMS deck mounted spout 0.5 gpm (offset to side)
- BMS backsplash mounted spout 0.5 gpm

### 6.) Options:

- JR junior height (30" rim height)
- TMV thermostatic mixing valve
- LSD liquid soap spout & bottle
- OV lavatory bowl overflow
- LE less trap enclosure
- TL tempered line, no mixing valve

Drawing Approved For Manufacturing By: \_\_\_\_\_ Date: \_\_\_\_\_ Company: \_\_\_\_\_  
 Wall Thickness: \_\_\_\_\_ Wall Type: \_\_\_\_\_

VERIFY ALL DIMENSIONS PRIOR TO ROUGH-IN



Made In The U.S.A.



# Willoughby Industries, Inc.