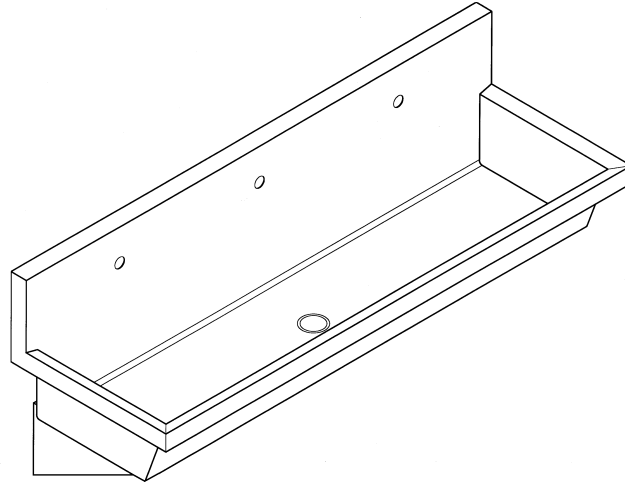


## CWMES-Series Multiple Station Hand Sink



✓	MODEL NUMBER	LENGTH	WIDTH	DEPTH	STATION FAUCETS
	CWMES-3620	36	20	8	2
	CWMES-4820	48	20	8	2
	CWMES-6020	60	20	8	3
	CWMES-7220	72	20	8	3
	CWMES-9620	96	20	8	4

### Recommended Specifications \_\_\_\_\_

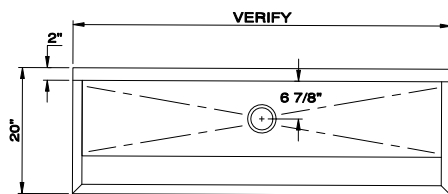
**VERIFY ALL DIMENSIONS PRIOR TO ROUGH-IN**

Multi-station hand sink shall be Willoughby Model No. **CWMES-\_\_20** (select from table above).

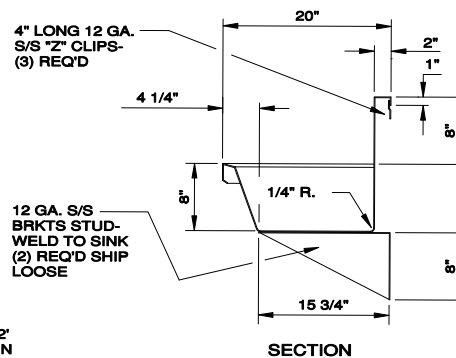
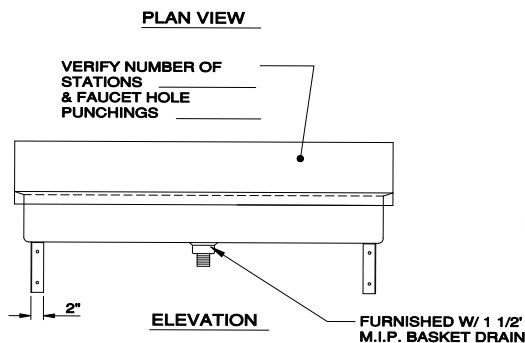
Standard equipment shall include: 1 1/2" M.I.P. basket drain. Faucet(s) by others.

Fixture, including bracing, shall be fabricated from 14 gauge, type 304, stainless steel. The construction shall be all-welded, with exposed exterior stainless steel surfaces polished to a #4 satin finish.

Anchoring shall be from the front with "z-clips" and mounting holes. Anchoring hardware by others. Unit requires no chase area for installation and maintenance.



Specify faucet hole punchings and location



Made In The U.S.A.

Visit our website at <http://www.willoughby-ind.com>

2210 West Morris Street • P.O. Box 21217 • Indianapolis, IN 46221

(317) 638-2381 • Fax: (317) 638-6110 • (800) 428-4065