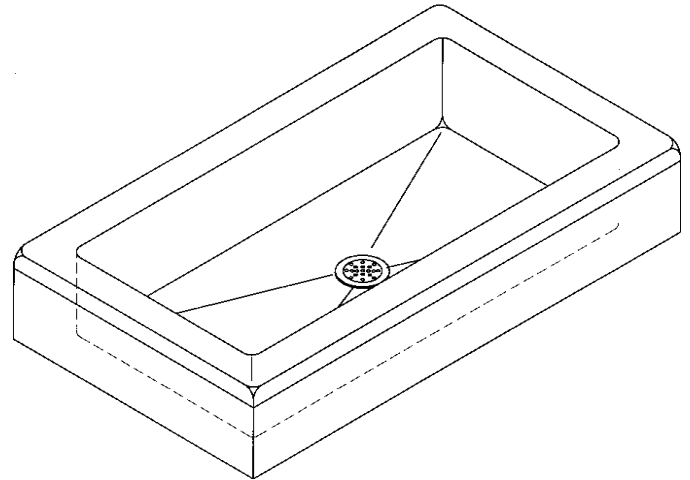


## CWMS-Series Mop Sink

✓	MODEL NUMBER	SIZE A x B x C
	CWMS-24246	24" x 24" x 6"
	CWMS-242412	24" x 24" x 12"
	CWMS-32326	32" x 32" x 6"
	CWMS-323212	32" x 32" x 12"
	CWMS-36366	36" x 36" x 6"
	CWMS-363612	36" x 36" x 12"



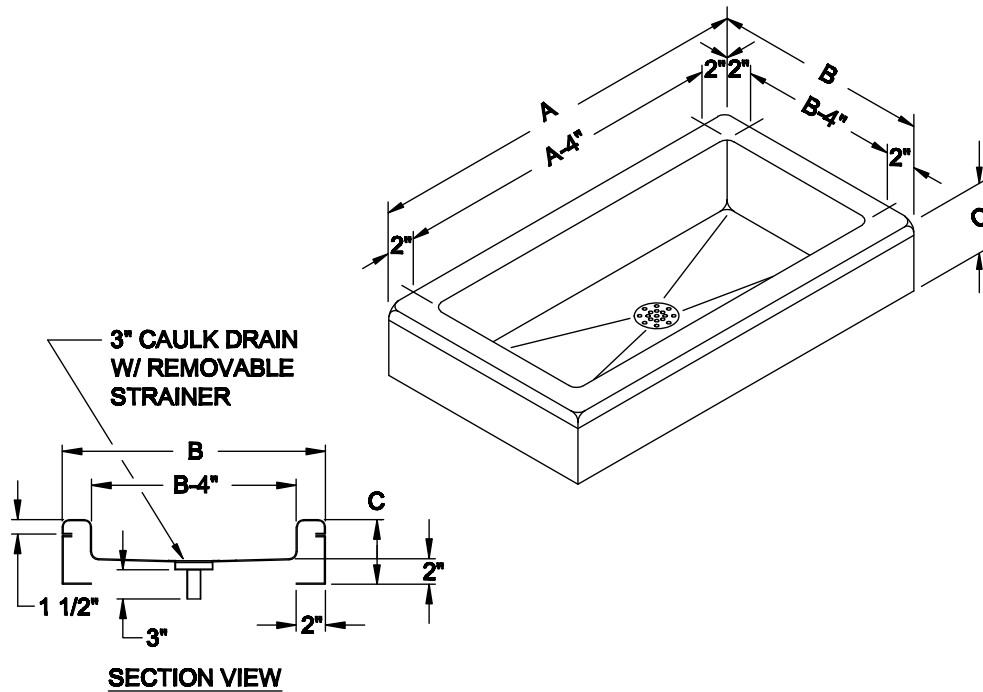
### Recommended Specifications \_\_\_\_\_

Mop sink shall be Willoughby Model No. **CWMS-\_\_\_\_\_** (select model from table above).

Entire fixture shall be fabricated from 16 gauge, type 304, stainless steel. The construction shall be all-welded, with exposed exterior stainless surfaces polished to a #4 satin finish.

Standard equipment shall include: rectangular shaped sink (as selected from table above), 2" caulk drain w/ removable strainer.

VERIFY ALL DIMENSIONS PRIOR TO ROUGH-IN



Made In The **U.S.A.**



Visit our website at <http://www.willoughby-ind.com>

2210 West Morris Street • P.O. Box 21217 • Indianapolis, IN 46221

(317) 638-2381 • Fax: (317) 638-6110 • (800) 428-4065