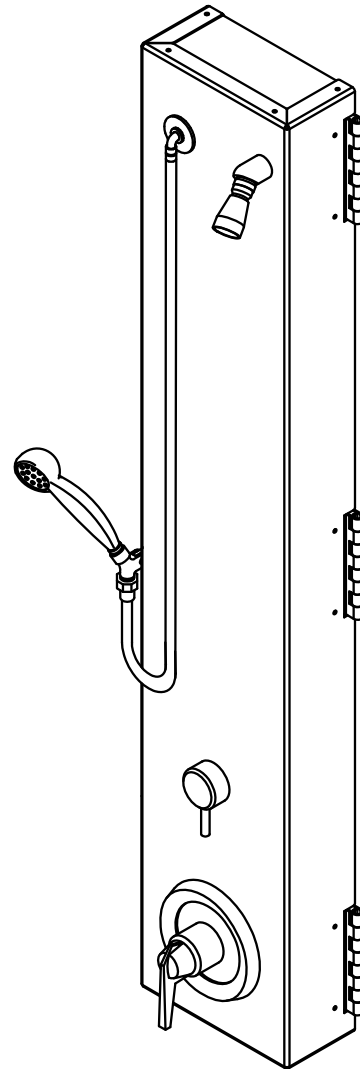


## CWSMSH-BF-Series Hinged Single Station Surface Mounted Handicapped Wall Shower

✓	MODEL NUMBER	VALVE TYPE
	CWSMSH-BF-PM1	SINGLE TEMP PNEU. METERING
	CWSMSH-BF-PM2	DUAL TEMP PNEU. METERING
	CWSMSH-BF-EL1	SINGLE TEMP ELECTRONIC
	CWSMSH-BF-EL2	DUAL TEMP ELECTRONIC
	CWSMSH-BF-PB	PRESSURE BALANCING
	CWSMSH-BF-TSV	THERMOSTATIC
	CWSMSH-BF-H	SINGLE TEMP COMPRESSION
	CWSMSH-BF-HC	DUAL TEMP COMPRESSION
	CWSMSH-BF-NV	NO VALVE



(Some options may be shown)

### Recommended Specifications \_\_\_\_\_

Surface mounted hinged single station handicapped shower shall be Willoughby Model No. **CWSMSH-BF-\_\_\_\_** (select valve from table above).

Hinged shower panel shall be fabricated from 18 gauge, type 304 stainless steel with exposed stainless surfaces polished to a #4 satin finish. Top and bottom panels are riveted on to shower panel.

Standard equipment shall include: shower valve \_\_\_\_\_ (as selected from table above), diverter valve, UBJ universal ball joint showerhead, quick disconnect, vacuum breaker, and hand held showerhead with hook.

Anchoring shall be by (3) 1" open hinges with 5/16" mounting holes and (2) 5/16" mounting tabs, with anchoring hardware by others. Unit requires no chase area for installation and maintenance.

*Made In The U.S.A.*



*Visit our website at <http://www.willoughby-ind.com>*

2210 West Morris Street • P.O. Box 21217 • Indianapolis, IN 46221

(317) 638-2381 • Fax: (317) 638-6110 • (800) 428-4065

## MODEL NUMBER AND OPTIONS:

**1.) Shower Head Height**

(Not Part of Model Number):

- 6'-0"
- 5'-6"
- 5'-0"
- 4'-0"
- Other \_\_\_\_\_"

**4.) Shower Head Options:**

- APS Adjustable Penal Showerhead
- NPS Non-Adjustable Penal Showerhead
- UBJ Universal Ball Joint Shower Head (Standard)
- UDBJ Up Down Ball Joint Shower Head
- LBJ Lockable Ball Joint Shower Head

**2.) Base Model Number:**

- CWSMSH-BF Hinged Single Station  
Surface Mounted Handicapped  
Shower

**5.) Options:**

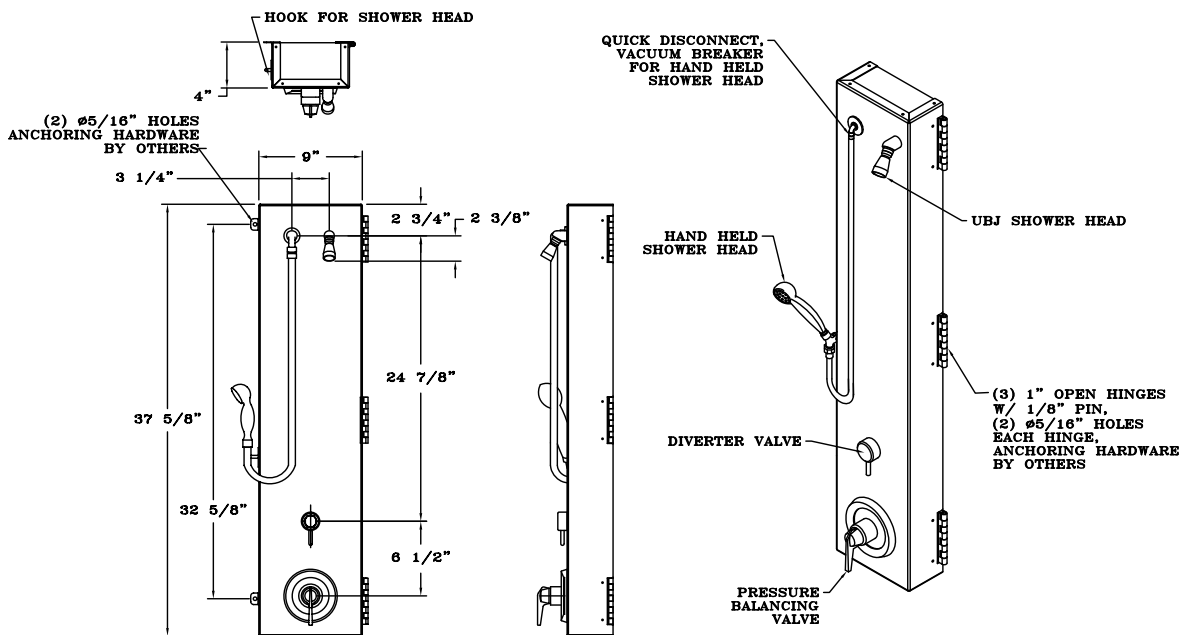
- GB Grab Bar (Specify Dimensions)
- GX Individual Checkstops
- RSD-2 Recessed Soap Dish,  
(in wall, front mounted)
- WA-1836 Surface Mounted Soap Dish,  
(on wall, front mounted)
- Other: \_\_\_\_\_
- Other: \_\_\_\_\_

**3.) Valve Selection:**

- PM1 Single Temp. Pneu. Metering
- PM2 Dual Temp. Pneu. Metering
- EL1 Single Temp. Electronic
- EL2 Dual Temp. Electronic
- PB Pressure Balancing
- TSV Thermostatic Mixing Valve
- H Single Temp. Compression
- HC Dual Temp. Compression
- NV No Valve

Drawing Approved For Manufacturing By: \_\_\_\_\_ Date: \_\_\_\_\_ Company: \_\_\_\_\_  
 Wall Thickness: \_\_\_\_\_ Wall Type: \_\_\_\_\_

**VERIFY ALL DIMENSIONS PRIOR TO ROUGH-IN**



**To specify fixture and accessories, use the Model Number and Options Guide.**  
 Example: To specify a surface mounted hinged handicapped single station shower with single temp. pneumatic metering valve, and universal ball joint shower head. Use the following Willoughby Model Number:  
 Willoughby Model Number: CWSMSH-BF-PM1-UBJ



*Made In The U.S.A.*

# Willoughby Industries, Inc.