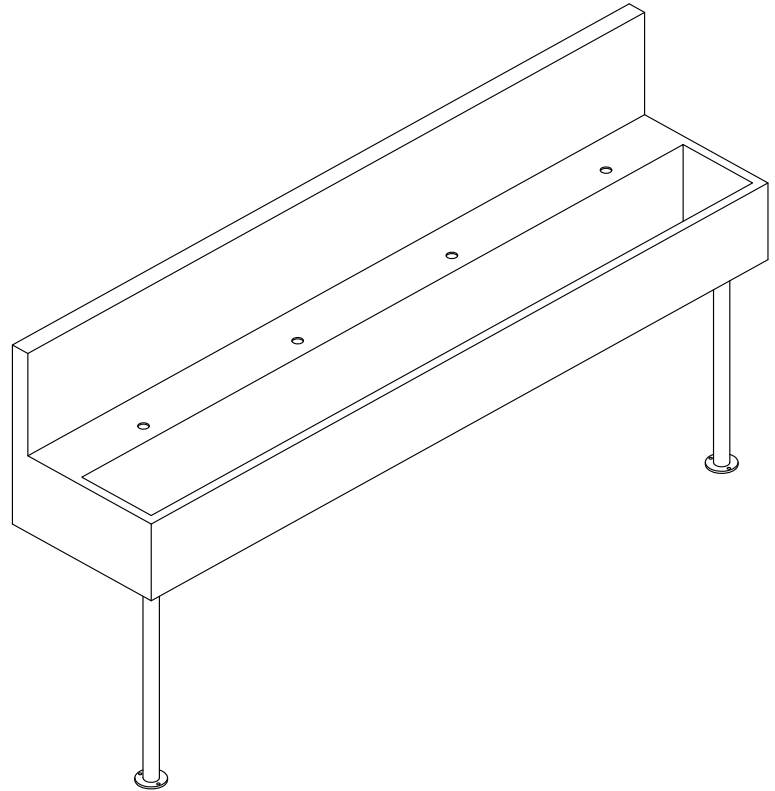


## CWWS Wall Sink

✓	Model Number		Size
	<b>CWWS-2</b>	2 station sink	48" X 18"
	<b>CWWS-3</b>	3 station sink	62" X 18"
	<b>CWWS-4</b>	4 station sink	80" X 18"
	<b>CWWS-5</b>	5 station sink	102" X 18"



**CWWS-4** shown

Recommended Specifications \_\_\_\_\_

Wall sink shall be Willoughby Model No. **CWWS-**\_\_\_\_\_ (select model from table above).

Fixture shall be fabricated from 14 gauge, type 304 stainless steel with 12 gauge stainless steel underbracing. The construction shall be all-welded, with exposed exterior surfaces polished to a #4 satin finish. Bowl interior is a bead-blast finish.

Standard equipment shall include: stainless steel bowl, 1 ½" O.D. stainless steel legs, flanged feet with (2) 5/16" diameter holes for anchoring to floor, z-clip for mounting to wall, 2" beehive strainer with 2" O.D. x 4" long welded-on stainless steel tailpiece, sound deaden underside of sink bowl. Unit is field plumbed for faucet connections.

Made In The **U.S.A.**



Visit our website at <http://www.willoughby-ind.com>

2210 West Morris Street • P.O. Box 21217 • Indianapolis, IN 46221

(317) 638-2381 • Fax: (317) 638-6110 • (800) 428-4065

# Willoughby Industries - Commercial Ware



**1) Sink Model::**

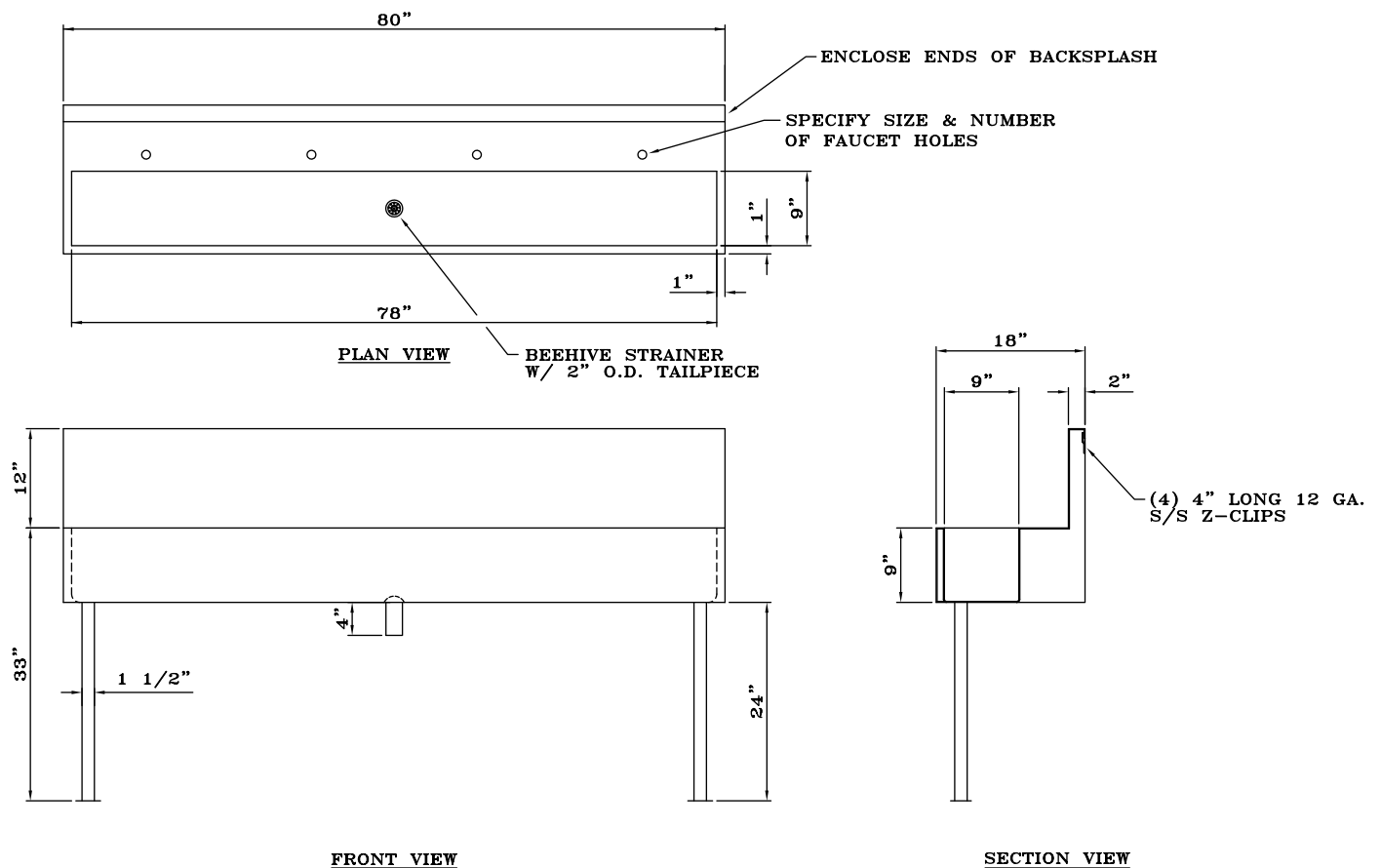
- CWWS-2    2 station sink
- CWWS-3    3 station sink
- CWWS-4    4 station sink
- CWWS-5    5 station sink

**2) Options:**

- SD    surface mounted soap dishes

Drawing Approved For Manufacturing By: \_\_\_\_\_ Date: \_\_\_\_\_ Company: \_\_\_\_\_

**VERIFY ALL DIMENSIONS PRIOR TO ROUGH-IN**



Made In The U.S.A.



Visit our website at <http://www.willoughby-ind.com>

2210 West Morris Street • P.O. Box 21217 • Indianapolis, IN 46221

(317) 638-2381 • Fax: (317) 638-6110 • (800) 428-4065