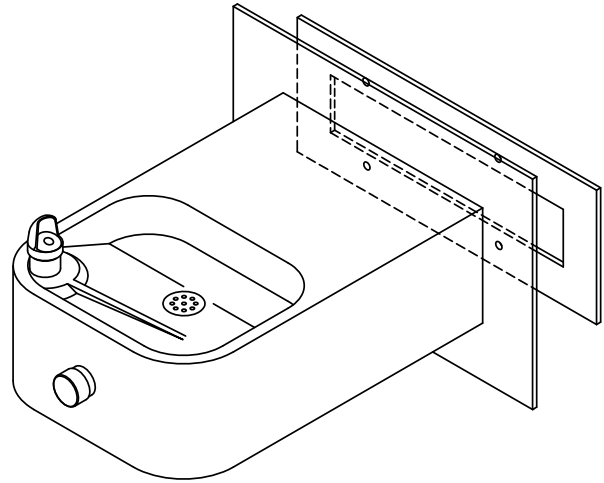


DF-1812-FA Front Access Drinking Fountain



Recommended Specifications

Front access drinking fountain shall be Willoughby Model No. **DF-1812-FA**.

Fixture shall be fabricated from 14 gauge, type 304 stainless steel. The construction shall be all-welded, with exposed stainless surfaces polished to a #4 satin finish.

Standard equipment shall include: rectangular basin with rounded corners, 8 5/8" x 10 3/4" x 2" deep, stainless steel

bubbler, stainless steel removable drain, 1 1/2" slip joint, cast brass union p-trap, factory mounted single temperature pneumatic self-closing valve, and removable bottom panel attached with vandal resistant screws.

Anchoring shall be from the front with mounting plate and attachment screws provided. Anchoring hardware by others. Unit requires no chase area for installation and maintenance.

Made In The U.S.A.



Visit our website at <http://www.willoughby-ind.com>

2210 West Morris Street • P.O. Box 21217 • Indianapolis, IN 46221

(317) 638-2381 • Fax: (317) 638-6110 • (800) 428-4065

MODEL NUMBER AND OPTIONS:

1.) Drinking Fountain Type:

DF

2.) Base Model Number:

1812 18" Drinking Fountain

3.) Front Access:

FA Front Access

4.) Bubblers or Spout Selection:

DB Drinking Fountain Bubbler

5.) Valve Selection:

PS1 Single Temp. Pneu.
Self-Closing

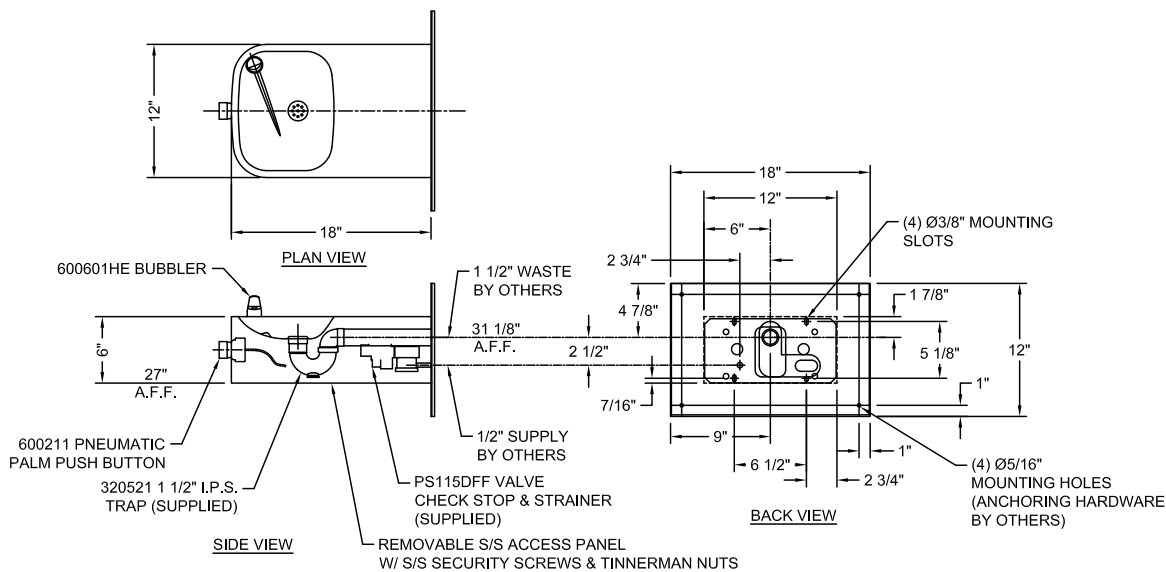
6.) Other Options:

- MT Metal Template
- PPB Palm Pushbutton
- WPB Stainless Steel Wall Backpanel
- Other: _____
- Other: _____

Drawing Approved For Manufacturing By: _____ Date: _____ Company: _____

Wall Thickness: _____ Wall Type: _____

VERIFY ALL DIMENSIONS PRIOR TO ROUGH-IN



To specify fixture and accessories, use the Model Number and Options Guide.
 Example: To specify a DF-1812-FA front access drinking fountain with drinking fountain bubbler, single temp. pneumatic self-closing valve and palm pushbutton. Use the following Willoughby Model Number:
 Willoughby Model Number: DF-1812-FD-DB-PS1-PPB

Made In The U.S.A.



Willoughby Industries, Inc.