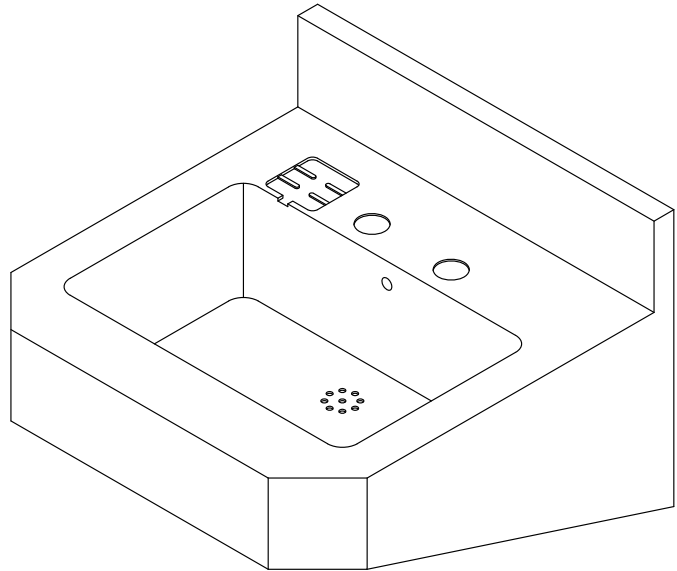


ES-1015-HC Handicap Lavatory-Commercial Exposed Trap



Recommended Specifications

Handicap lavatory shall be Willoughby Model No. **ES-1015-HC**.

Fixture shall be fabricated from 16 gauge, type 304 stainless steel. The construction shall be all-welded, with exposed stainless surfaces polished to a #4 satin finish.

Standard lavatory shall include: rectangular shaped bowl, 14 1/2" x 9 1/2" x 5 1/2" deep, fast drain with overflow vent, 4" long 1 1/2" tailpiece, and self-draining soap dish.

Anchoring shall be from the front with z-clip and anchoring holes provided. Anchoring hardware by others. Unit requires no chase area for installation or maintenance.

This product is designed to comply with the Americans with Disabilities Act (A.D.A.) and Texas Accessibility Standards (T.A.S.).

Made In The U.S.A.



Visit our website at <http://www.willoughby-ind.com>

2210 West Morris Street • P.O. Box 21217 • Indianapolis, IN 46221

(317) 638-2381 • Fax: (317) 638-6110 • (800) 428-4065

MODEL NUMBER AND OPTIONS:

1.) Lavatory Type:

ES

2.) Base Model Number:

1015-HC 18" Handicap Lavatory

3.) Spout Selection:

DMS Deck Mounted Spout
 DMBPH Deck Mounted Hemispherical Filler/Bubbler

4.) Valve Selection (must specify):

NV No Valve (standard)
 (Specify Hole Punching)
 Special Punching (Specify)
 (2) 1" Dia. Holes, 4" Centers
 (2) 1" Dia. Holes, 8" Centers
 (1) 1" Dia. Hole

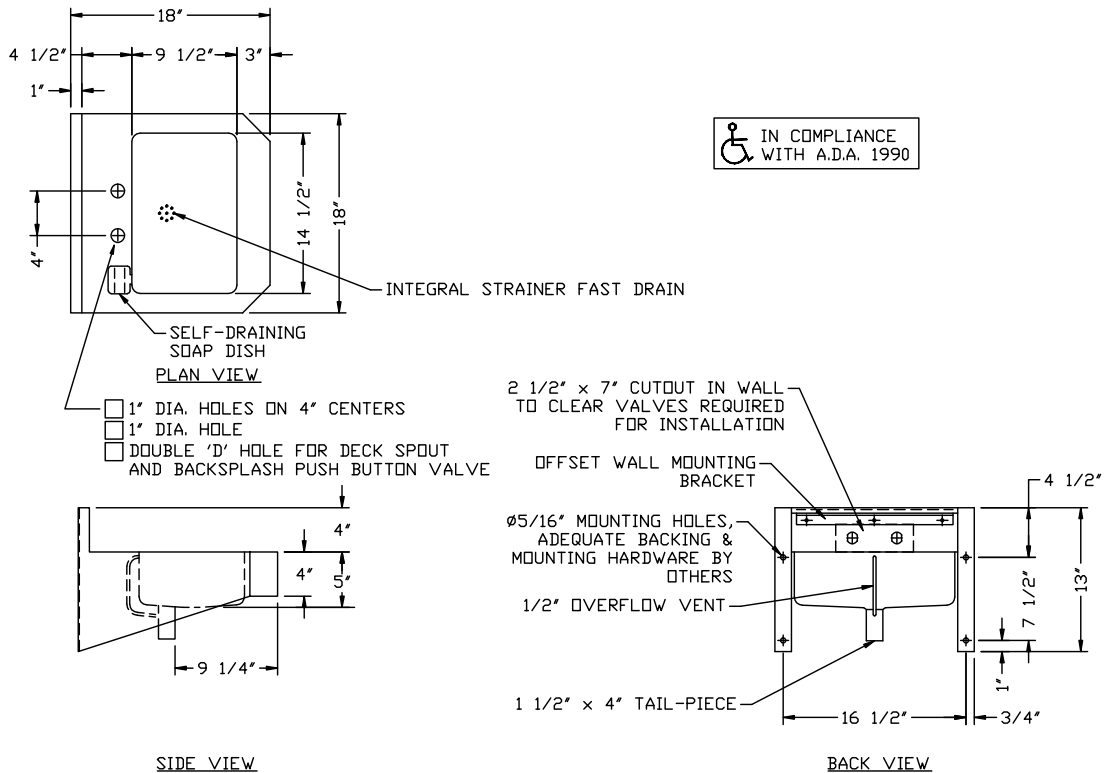
PS1 Single Temp. Pneu. Self-Closing
 PS2 Dual Temp. Pneu. Self-Closing
 PM1 Single Temp. Pneu. Metering
 PM2 Dual Temp. Pneu. Metering
 EL1 Single Temp. Electronic
 EL2 Dual Temp. Electronic
 PBH Anti-Suicide Pushbutton(s)

5.) Lavatory Waste:

TE Trap Enclosure
 TT Chrome Plated P-Trap

Drawing Approved For Manufacturing By: _____ Date: _____ Company: _____
 Wall Thickness: _____ Wall Type: _____

VERIFY ALL DIMENSIONS PRIOR TO ROUGH-IN



To specify fixture and accessories, use the Model Number and Options Guide.
 Example: To specify an ES-1015-HC handicap lavatory with deck mounted spout, dual temp. pneumatic metering valve, and chrome plated p-trap. Use the following Willoughby Model Number:
 Willoughby Model Number: ES-1015-HC-DMS-PM2-TT

Willoughby Industries, Inc.

Made In The U.S.A.

