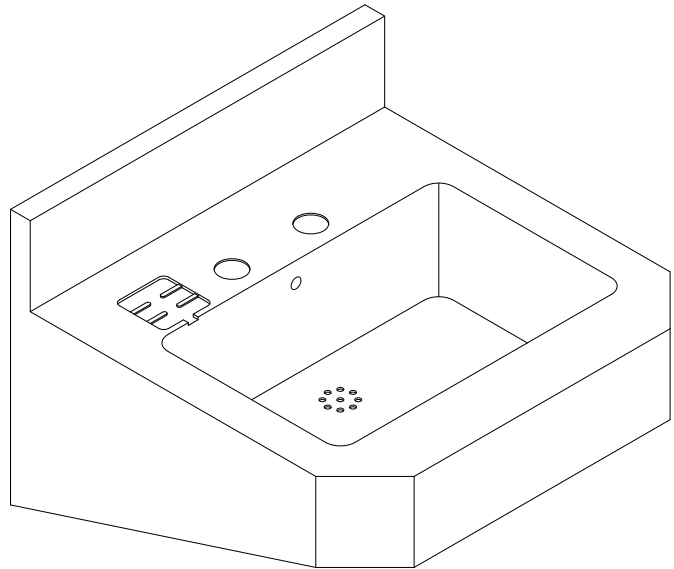


ES-1015 Lavatory-Commercial Exposed Trap



Recommended Specifications

Lavatory shall be Willoughby Model No. **ES-1015**.

Fixture shall be fabricated from 16 gauge, type 304 stainless steel. The construction shall be all-welded, with exposed stainless surfaces polished to a #4 satin finish.

Standard lavatory shall include: rectangular shaped bowl, 14 1/2" x 9 1/2" x 5 1/2" deep, fast drain with overflow vent, 4" long 1 1/2" tailpiece, and self-draining soap dish.

Anchoring shall be from the front with z-clip and anchoring holes provided. Anchoring hardware by others. Unit requires no chase area for installation or maintenance.

Made In The U.S.A.



Visit our website at <http://www.willoughby-ind.com>

2210 West Morris Street • P.O. Box 21217 • Indianapolis, IN 46221

(317) 638-2381 • Fax: (317) 638-6110 • (800) 428-4065

MODEL NUMBER AND OPTIONS:

1.) Lavatory Type:

ES

2.) Base Model Number:

1015 18" Lavatory

3.) Spout Selection:

DMS Deck Mounted Spout

DMBPH Deck Mounted Hemispherical Filler/Bubbler

PS1 Single Temp. Pneu. Self-Closing

PS2 Dual Temp. Pneu. Self-Closing

PM1 Single Temp. Pneu. Metering

PM2 Dual Temp. Pneu. Metering

EL1 Single Temp. Electronic

EL2 Dual Temp. Electronic

PBH Anti-Suicide Pushbutton(s)

4.) Valve Selection (must specify):

NV No Valve (standard)
(Specify Hole Punching)

Special Punching (Specify)

(2) 1" Dia. Holes, 4" Centers

(2) 1" Dia. Holes, 8" Centers

(1) 1" Dia. Hole

5.) Lavatory Waste:

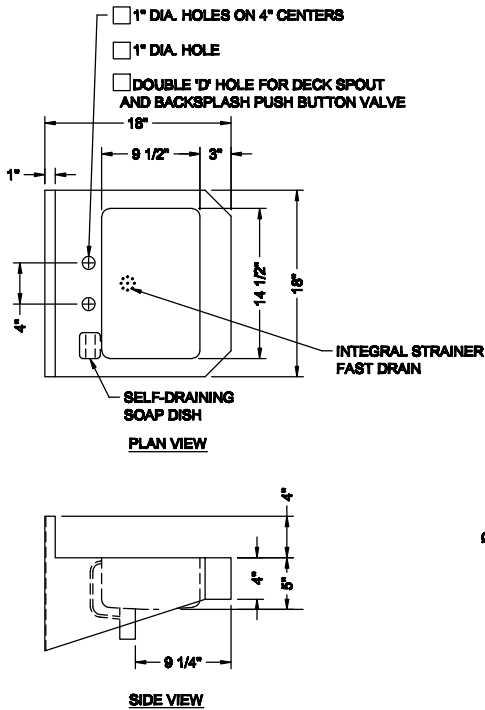
TE Trap Enclosure

TT Chrome Plated P-Trap

Drawing Approved For Manufacturing By: _____ Date: _____ Company: _____

Wall Thickness: _____ Wall Type: _____

VERIFY ALL DIMENSIONS PRIOR TO ROUGH-IN



To specify fixture and accessories, use the Model Number and Options Guide.

Example: To specify an ES-1015 lavatory with deck mounted spout, dual temp, pneumatic metering valve, and chrome plated p-trap. Use the following Willoughby Model Number:

Willoughby Model Number: ES-1015-DMS-PM2-TT

Willoughby Industries, Inc.

Made In The U.S.A.

