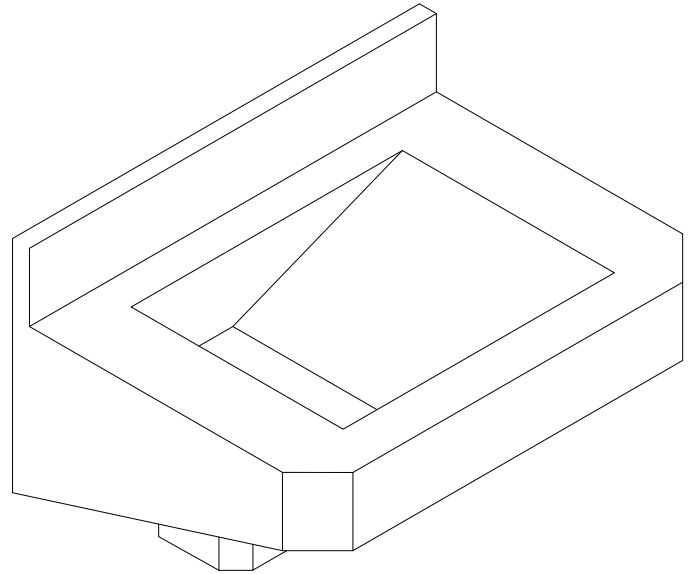


## ES-1316-HC Lavatory-Commercial (Classroom Sink) Exposed Trap



### Recommended Specifications

---

Lavatory shall be Willoughby Model No. **ES-1316-HC**

Fixture shall be fabricated from 16 gauge, type 304 stainless steel. The construction shall be all-welded, with exposed stainless surfaces polished to a #4 satin finish.

Standard lavatory shall include: rectangular shaped bowl, 16" x 12 1/2" x 4" deep and machined stainless steel drain.

Anchoring shall be from the front with z-clip and anchoring holes provided. Anchoring hardware by others. Unit requires no chase area for installation or maintenance.

This product is designed to comply with the Americans with Disabilities Act (A.D.A.) and Texas Accessibility Standards (T.A.S.).

*Made In The* **U.S.A.**



*Visit our website at <http://www.willoughby-ind.com>*

2210 West Morris Street • P.O. Box 21217 • Indianapolis, IN 46221  
(317) 638-2381 • Fax: (317) 638-6110 • (800) 428-4065

## MODEL NUMBER AND OPTIONS:

**1.) Lavatory Type:**

ES

**2.) Base Model Number:**

1316 24" Lavatory

**3.) Spout Selection:**

DMS Deck Mounted Spout

**4.) Valve Selection (must specify):**

NV No Valve (standard)  
(Specify Hole Punching)

Special Punching (Specify)

(2) 1" Dia. Holes, 4" Centers

(2) 1" Dia. Holes, 8" Centers

(1) 1" Dia. Hole

PS1 Single Temp. Pneu. Self-Closing

PS2 Dual Temp. Pneu. Self-Closing

PM1 Single Temp. Pneu.  
Metering

PM2 Dual Temp. Pneu.  
Metering

EL1 Single Temp. Electronic

EL2 Dual Temp. Electronic

**5.) Lavatory Waste:**

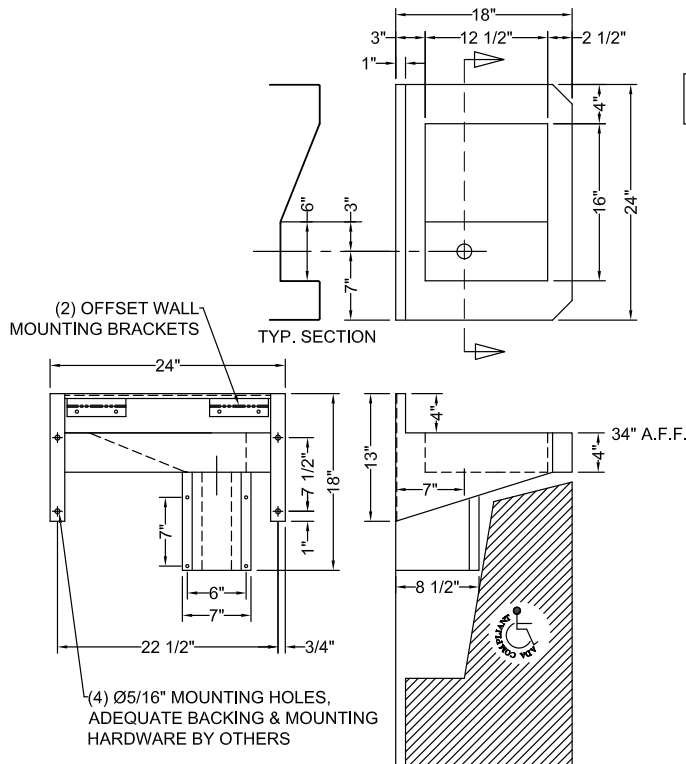
TE Trap Enclosure

T'T Chrome Plated P-Trap

Drawing Approved For Manufacturing By: \_\_\_\_\_ Date: \_\_\_\_\_ Company: \_\_\_\_\_

Wall Thickness: \_\_\_\_\_ Wall Type: \_\_\_\_\_

**VERIFY ALL DIMENSIONS PRIOR TO ROUGH-IN**



**Willoughby Industries, Inc.**

Made In The U.S.A.

