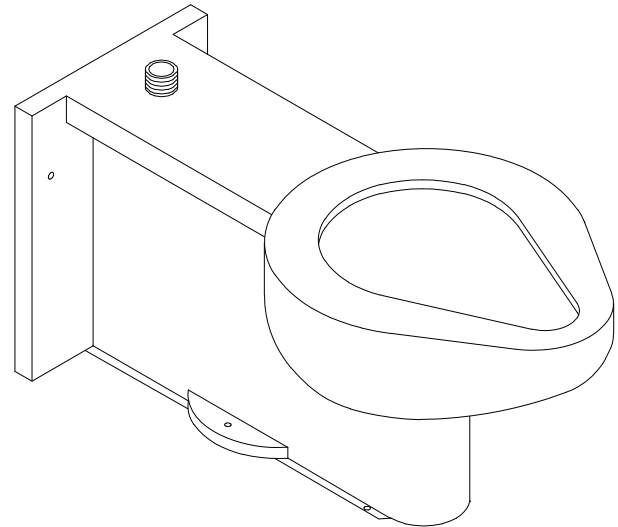


ETF-1490-FM-10"-FA 10" Rough-In Floor Outlet Front Mounted Water Closet



✓	MODEL NUMBER	INLET LOCATION
	ETF-1490-FM-10"-BS-FA**	BACK
	ETF-1490-FM-10"-TS-FA	TOP

**Requires chase or "AP" option

Recommended Specifications

Toilet shall be Willoughby Model No. **ETF-1490-FM-10"-FA** (select from table above).

Fixture shall be fabricated from 14 gauge, type 304 stainless steel. The construction shall be all-welded, with exposed stainless surfaces polished to a #4 satin finish.

Standard toilet shall include: elongated toilet bowl with contoured seat, integral crevice-free self-draining flushing rim with positive afterfill and fully enclosed 2 1/2" O.D. trap which shall maintain a minimum 2" seal and pass a 2 1/8" ball. Toilet shall be siphon jet type which requires 35 psi minimum flushing pressure.

Fixture shall withstand loadings up to 2,000 lbs. with no measurable deflection and loadings up to 5,000 lbs. with no permanent damage.

Anchoring shall be through the front and through the floor anchoring hardware by others. Unit requires no chase area for installation and maintenance.

Note: For 3 1/2 gallon flush, unit will pass a 2 5/8" ball.
Note: Requires chase for rear spud.

Made In The **U.S.A.**



Visit our website at <http://www.willoughby-ind.com>

2210 West Morris Street • P.O. Box 21217 • Indianapolis, IN 46221
(317) 638-2381 • Fax: (317) 638-6110 • (800) 428-4065

MODEL NUMBER AND OPTIONS:

1.) Toilet Waste Location:

ETF Floor

2.) Base Model Number:

1490

3.) Fixture Mounting:

FM Floor Mounted

4.) Waste Rough-In:

10" Rough-In

5.) Inlet Location:

BS Back Spud

TS Top Spud

6.) Front Access:

FA Front Access

7.) Flush Valve GPF's (Must Specify):

-1.6 GPF (Low Consumption)

-3.5 GPF

8.) Options:

FV Flush Valve

FVC Flush Valve Cover (Top Spud)

FVT Flush Valve Connection

AP Flush Valve Access Panel

HC Handicap Height

HS Hinged Plastic Seat

Black

White

HPS High Polish Seat

MT Metal Template

RTH1 Wall Mounted Recessed Tissue Holder

RTH2 Wall Mounted Recessed Tissue Holder (Front Access)

T4 Manual Reset Toilet Overflow Preventer

(Requires Hydraulic Flush Valve)

T4A Auto Reset Toilet Overflow Preventer

(Requires Hydraulic Flush Valve)

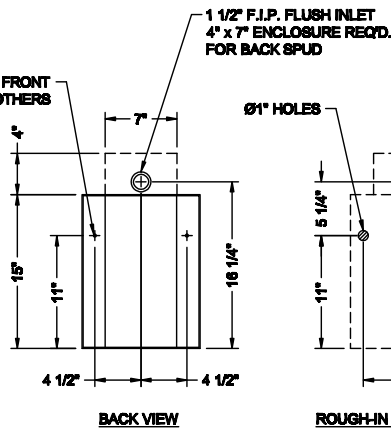
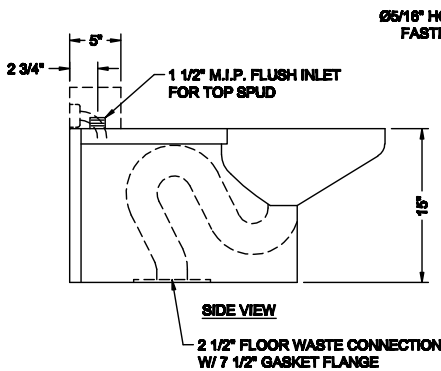
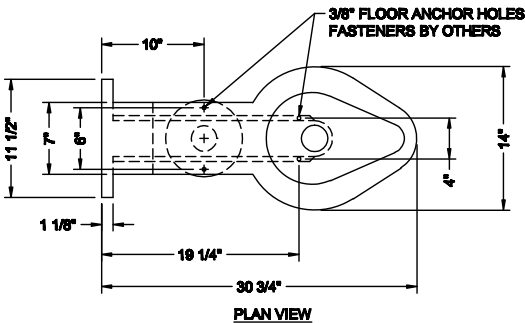
TSC Toilet Shipping Cover

Other: _____

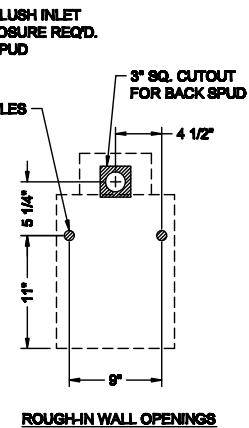
Other: _____

Drawing Approved For Manufacturing By: _____ Date: _____ Company: _____
 Wall Thickness _____ Wall Type _____

VERIFY ALL DIMENSIONS PRIOR TO ROUGH-IN



1.6 GPF
VERSION
SHOWN



To specify fixture and accessories, use the Model Number and Options Guide.
 Example: To specify an ETF-1490-FM-TS-10-FA floor mounted top spud 10" rough-in front access, 1.6 GPF, toilet with high polish seat. Use the following Willoughby Model number:
 Willoughby Model Number: ETF-1490-FM-TS-10-FA-1.6-HPS

Willoughby Industries, Inc.

Made In The U.S.A.

