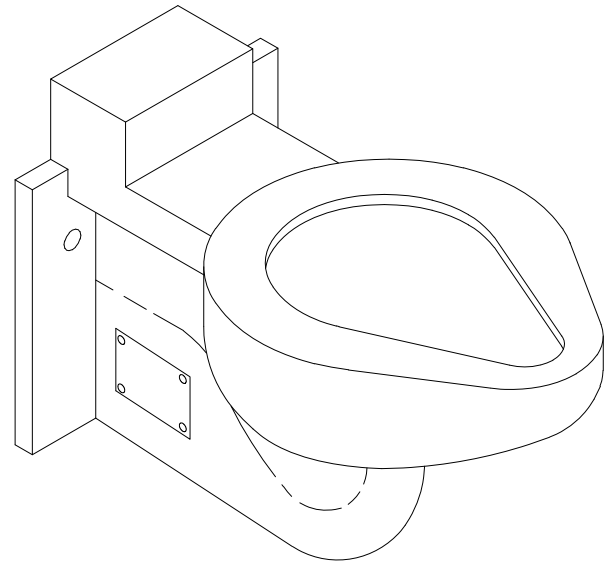


## ETW-1490-CM Carrier Mounted Blowout Series Water Closet



✓	MODEL NUMBER	INLET LOCATION
	ETW-1490-CM-BS	BACK
	ETW-1490-CM-TS	TOP

### Recommended Specifications

Toilet shall be Willoughby Model No. **ETW-1490-CM-\_\_\_** (select from table above).

Fixture shall be fabricated from 14 gauge, type 304 stainless steel. The construction shall be all-welded, with exposed stainless surfaces polished to a #4 satin finish.

Standard toilet shall include: elongated toilet bowl with contoured seat, integral crevice-free self-draining flushing rim with positive afterfill and fully enclosed 2 1/2" O.D. trap which shall maintain a minimum 2" seal and pass a 2 1/8" ball. Toilet shall be blowout type which requires 35 psi minimum flushing pressure.

Fixture shall withstand loadings up to 2,000 lbs. with no measurable deflection and loadings up to 5,000 lbs. with no permanent damage.

Anchoring shall be by standard 3-bolt blowout carrier. (Carrier and fasteners by others.)

Note: For 3 1/2 gallon flush, unit will pass a 2 5/8" ball.

Note: Requires chase for rear spud.

*On back to back fixture installations, do not use standard cross type waste fittings: cross flow may result due to blowout jet action. Use sanitary or offset type waste fittings.*

Made In The **U.S.A.**



Visit our website at <http://www.willoughby-ind.com>

2210 West Morris Street • P.O. Box 21217 • Indianapolis, IN 46221

(317) 638-2381 • Fax: (317) 638-6110 • (800) 428-4065

# MODEL NUMBER AND OPTIONS:

**1.) Toilet Waste Location:**

ETW Wall, Blowout

**2.) Base Model Number:**

1490

**3.) Fixture Mounting:**

CM Carrier Mounted

**4.) Inlet Location:**

BS Back Spud

TS Top Spud

**5.) Flush Valve GPF's (Must Specify):**

-1.6 GPF (Low Consumption)

-3.5 GPF

**6.) Options:**

FV Flush Valve

FVC Flush Valve Cover (Top Spud)

FVT Flush Valve Connection

AP Flush Valve Access Panel

HS Hinged Plastic Seat

Black

White

HPS High Polish Seat

RTH1 Wall Mounted Recessed Tissue Holder

RTH2 Wall Mounted Recessed Tissue Holder (Front Access)

T4 Manual Reset Toilet Overflow Preventer (Requires Hydraulic Flush Valve)

T4A Auto Reset Toilet Overflow Preventer (Requires Hydraulic Flush Valve)

TSC Toilet Shipping Cover

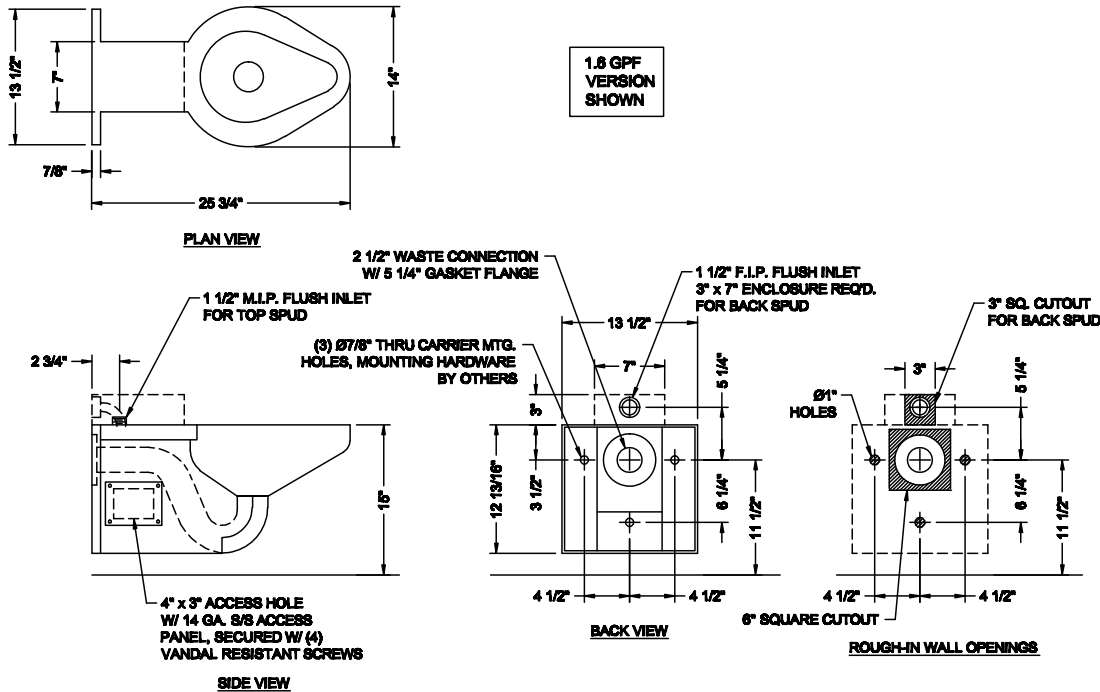
WO3 3" Toilet P-Trap (3.5 GPF Only)

Other: \_\_\_\_\_

Other: \_\_\_\_\_

Drawing Approved For Manufacturing By: \_\_\_\_\_ Date: \_\_\_\_\_ Company: \_\_\_\_\_  
 Wall Thickness \_\_\_\_\_ Wall Type \_\_\_\_\_

VERIFY ALL DIMENSIONS PRIOR TO ROUGH-IN



**Willoughby Industries, Inc.**

*Made In The U.S.A.*

To specify fixture and accessories, use the Model Number and Options Guide.  
 Example: To specify an ETW-1490-CM-BS carrier mounted back spud toilet, 1.6 GPF with high polish seat and Top-Four overflow preventer. Use the following Willoughby Model number:  
 Willoughby Model Number: ETW-1490-CM-BS-1.6-HPS-T4