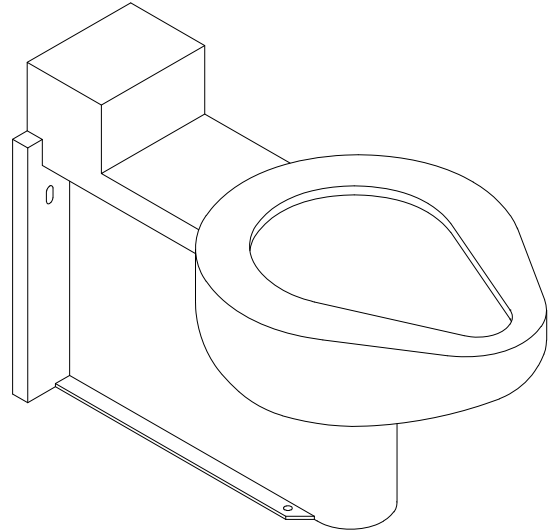




## ETW-1490-FM-FA Front Mounted Floor Mounted Blowout Series Water Closet

✓	MODEL NUMBER	INLET LOCATION
	ETW-1490-FM-BS-FA**	BACK
	ETW-1490-FM-TS-FA	TOP

\*\*Requires chase or "AP" option



### Recommended Specifications

Toilet shall be Willoughby Model No. **ETW-1490-FM-\_\_\_\_-FA**.

Fixture shall be fabricated from 14 gauge, type 304 stainless steel. The construction shall be all-welded, with exposed stainless surfaces polished to a #4 satin finish.

Standard toilet shall include: elongated toilet bowl with contoured seat, integral crevice-free self-draining flushing rim with positive afterfill and fully enclosed 2 1/2" O.D. trap which shall maintain a minimum 2" seal and pass a 2 1/8" ball. Toilet shall be blowout type which requires 35 psi minimum flushing pressure.

Fixture shall withstand loadings up to 2,000 lbs. with no measurable deflection and loadings up to 5,000 lbs. with no permanent damage.

Anchoring shall be through the front and through the floor (anchoring hardware provided by others). Unit requires no chase area for installation and maintenance.

Note: For 3 1/2 gallon flush, unit will pass a 2 5/8" ball.  
Note: Requires chase for rear spud.

*On back to back fixture installations, do not use standard cross type waste fittings: cross flow may result due to blowout jet action. Use sanitary or offset type waste fittings.*

Made In The **U.S.A.**



Visit our website at <http://www.willoughby-ind.com>

2210 West Morris Street • P.O. Box 21217 • Indianapolis, IN 46221  
(317) 638-2381 • Fax: (317) 638-6110 • (800) 428-4065

# MODEL NUMBER AND OPTIONS:

**1.) Toilet Waste Location:**

ETW Wall, Blowout

**2.) Base Model Number:**

1490

**3.) Fixture Mounting:**

FM Floor Mounted

**4.) Inlet Location:**

BS Back Spud

TS Top Spud

**5.) Front Access:**

FA Front Access

**6.) Flush Valve GPF's (Must Specify):**

-1.6 GPF (Low Consumption)

-3.5 GPF

**7.) Options:**

FV Flush Valve

FVC Flush Valve Cover (Top Spud)

FVT Flush Valve Connection

AP Flush Valve Access Panel

HC Handicap Height

HS Hinged Plastic Seat

Black

White

HPS High Polish Seat

MT Metal Template

PC Pinned Cleanout

RTH1 Wall Mounted Recessed Tissue Holder

RTH2 Wall Mounted Recessed Tissue Holder (Front Access)

T4 Manual Reset Toilet Overflow Preventer (Requires Hydraulic Flush Valve)

T4A Auto Reset Toilet Overflow Preventer (Requires Hydraulic Flush Valve)

TSC Toilet Shipping Cover

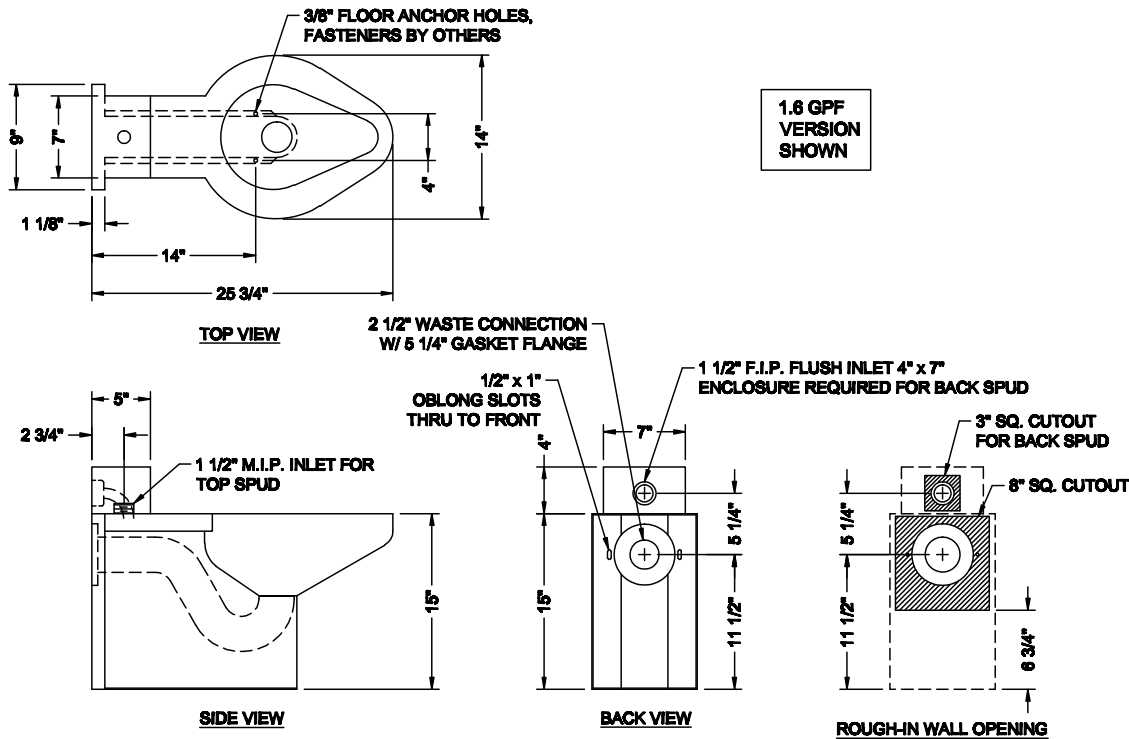
WO3 3" Toilet P-Trap (3.5 GPF Only)

Other: \_\_\_\_\_

Other: \_\_\_\_\_

Drawing Approved For Manufacturing By: \_\_\_\_\_ Date: \_\_\_\_\_ Company: \_\_\_\_\_  
 Wall Thickness \_\_\_\_\_ Wall Type \_\_\_\_\_

**VERIFY ALL DIMENSIONS PRIOR TO ROUGH-IN**



To specify fixture and accessories, use the Model Number and Options Guide.  
 Example: To specify an ETW-1490-FM-TS-FA floor mounted, top spud, 1.6 GPF, front access toilet with high polish seat. Use the following Willoughby Model number:  
 Willoughby Model Number: ETW-1490-FM-TS-1.6-FA-HPS

**Willoughby Industries, Inc.**

Made In The U.S.A.

