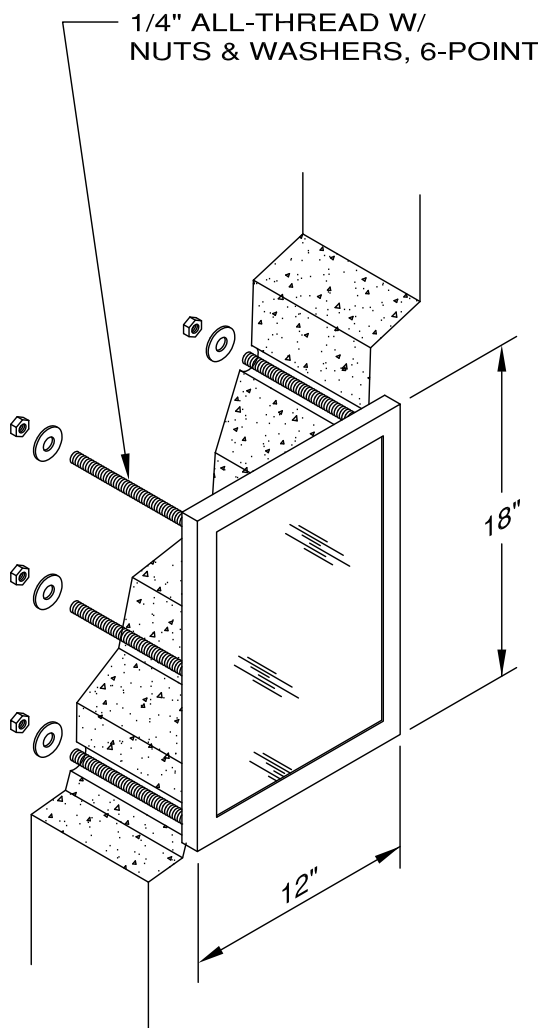
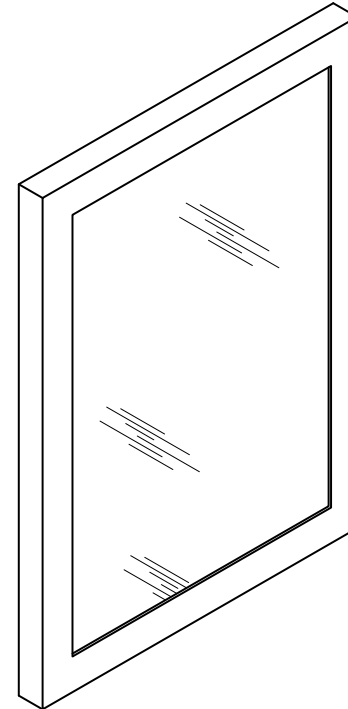


FMR-1 Framed Security Mirror Rear Mounted

Framed security mirror to be 16 gauge, type 304 stainless steel polished to a #8 non-directional mirror finish. Mirror shall be reinforced with 1/2" fiberboard backing. Anchoring shall be by 6-point system: threaded rods, nuts and washers furnished for walls up to 8" thick. Unit requires chase for installation.



Made In The U.S.A.



Visit our website at <http://www.willoughby-ind.com>

2210 West Morris Street • P.O. Box 21217 • Indianapolis, IN 46221
(317) 638-2381 • Fax: (317) 638-6110 • (800) 428-4065