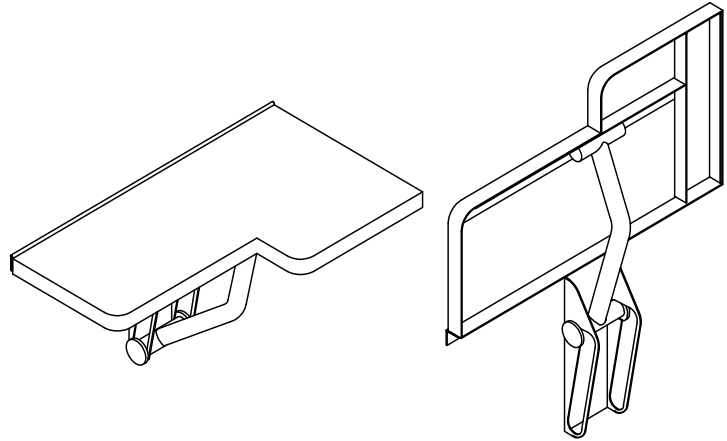
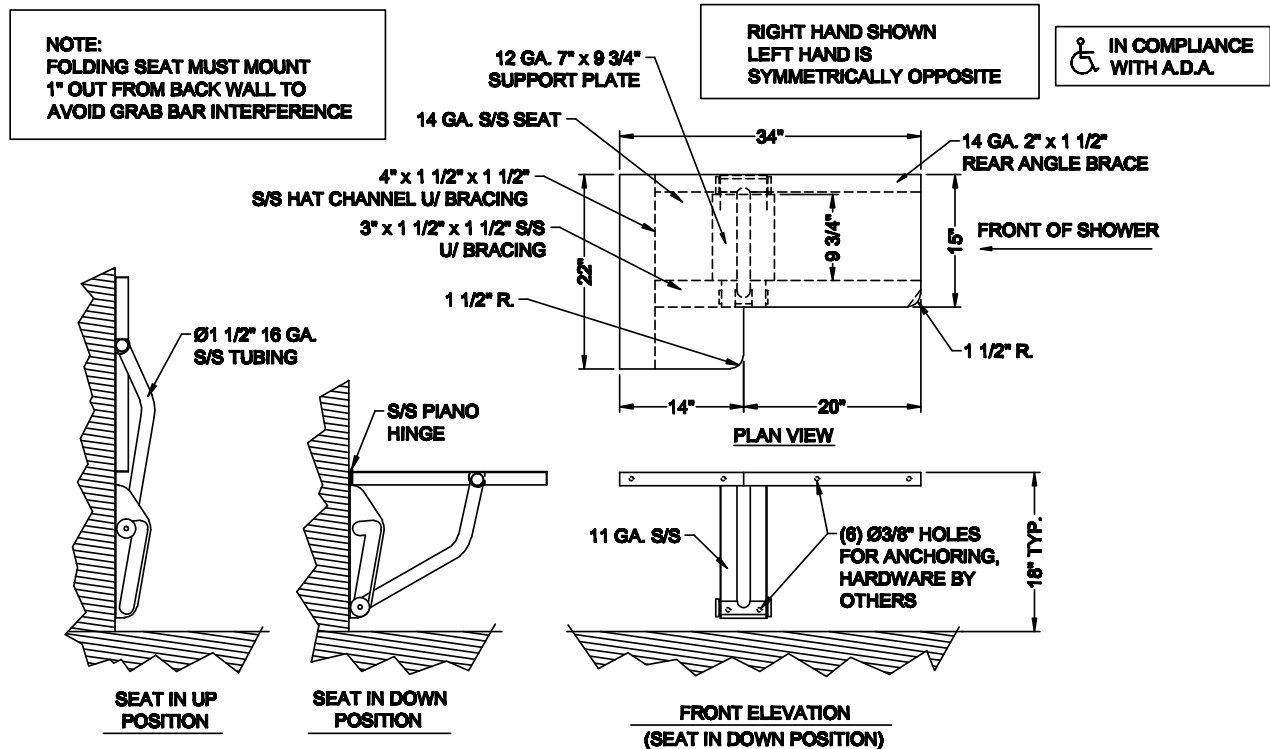


FSS Series Folding Shower Seat

✓	MODEL NUMBER	SEAT CONFIGURATION
	FSS-R	Right Hand
	FSS-L	Left Hand



FSS-__ folding shower seat shall be fabricated from type 304 stainless steel. Seating surface and flanges polished to a #4 satin finish. Folding shower seat provides sturdy seating for users of handicapped shower facilities, and can be easily folded up when not in use. Wall anchors and fasteners by others.



Made In The U.S.A.



Visit our website at <http://www.willoughby-ind.com>

2210 West Morris Street • P.O. Box 21217 • Indianapolis, IN 46221
(317) 638-2381 • Fax: (317) 638-6110 • (800) 428-4065