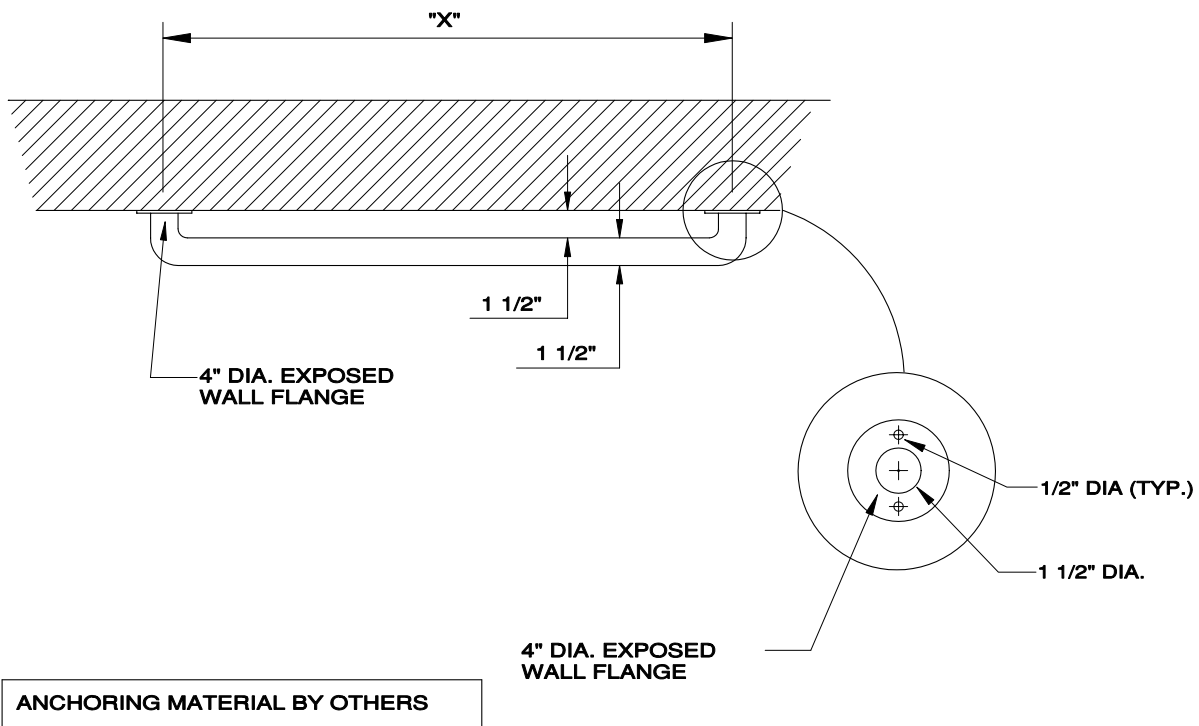
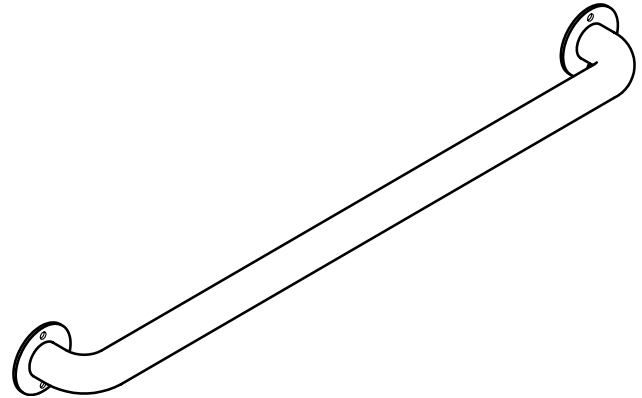


## GB Series Grab Bars

✓	MODEL NUMBER	GRAB BAR LENGTH
	GB-24	24"
	GB-36	36"
	GB-42	42"
	GB-48	48"

GB-\_\_\_ grab bars shall be fabricated from type 304 stainless steel. Exposed stainless steel surfaces shall be polished to a #4 satin finish. Standard flange configuration is exposed. Grab bar fasteners and wall anchors by others.

Various configurations available.



Visit our website at <http://www.willoughby-ind.com>

2210 West Morris Street • P.O. Box 21217 • Indianapolis, IN 46221

(317) 638-2381 • Fax: (317) 638-6110 • (800) 428-4065