

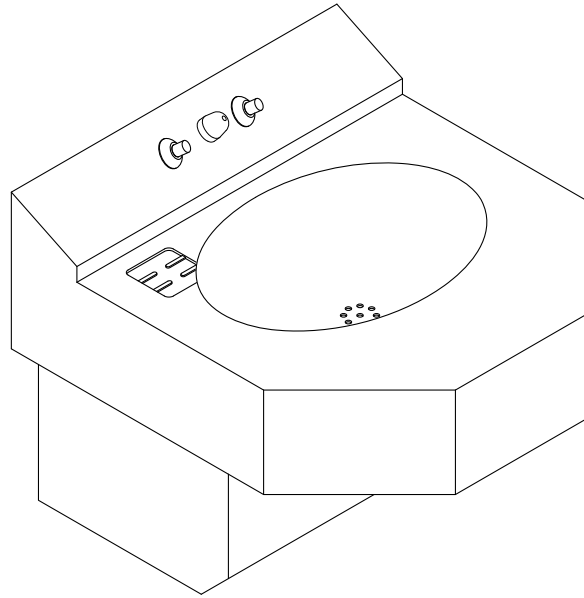
HS-1013-46-HC-FA

Front Access

Handicap

18" Wide

Lavatory



Recommended Specifications

Front Access handicap lavatory shall be Willoughby Model No. **HS-1013-46-HC-FA**.

Fixture shall be fabricated from 14 gauge, type 304 stainless steel. The construction shall be all-welded, with exposed stainless surfaces polished to a #4 satin finish.

Standard lavatory shall include: oval shaped bowl, 13" x 9 1/2" x 6" deep, stainless steel penal filler/bubbler, 1 1/2"

slip joint, cast brass union p-trap, factory mounted dual temperature pneumatic valve assembly, removable bottom panel attached with vandal resistant screws, and self-draining soap dish.

Anchoring shall be from the front with z-clip and anchoring holes provided. Anchoring hardware by others. Unit requires no chase area for installation or maintenance.

Made In The U.S.A.



Visit our website at <http://www.willoughby-ind.com>

2210 West Morris Street • P.O. Box 21217 • Indianapolis, IN 46221

(317) 638-2381 • Fax: (317) 638-6110 • (800) 428-4065

MODEL NUMBER AND OPTIONS

1.) Lavatory Type:

HS

- EL2 Dual Temp. Electronic
 PBH Hemispherical Pushbutton

2.) Base Model Number:

1013-46-HC 18" Handicap Lavatory

6.) Options:

- MT Metal Template
 TB1 Toothbrush Holder (Specify Location)
 TB2 Dual Toothbrush Holder (Specify Location)
 TH1 Single Towel Hook (Specify Location)
 TH2 Dual Towel Hook (Specify Location)
 PS1-DMB Single Temp Pneumatic Self Closing Valve W/Deck Mounted Bubbler
 Other: _____
 Other: _____

3.) Front Access

FA Front Access

4.) Bubbler or Spout Selection:

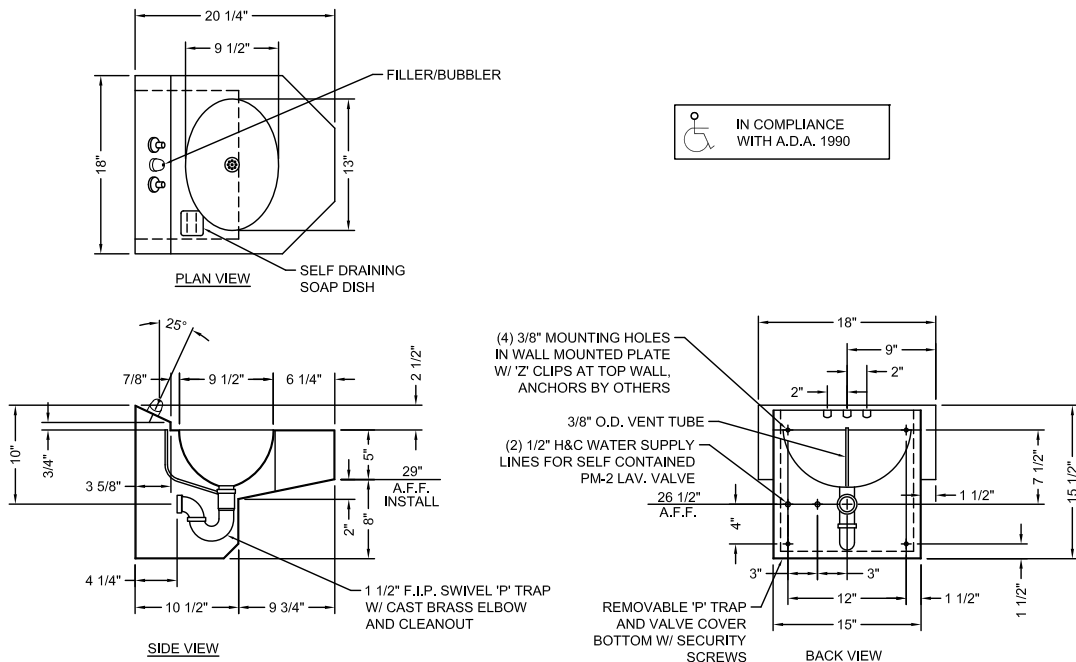
- SBC Security Code Bubbler
 SBP Security Penal Bubbler
 BPH Hemispherical Penal Bubbler

5.) Valve Selection:

- NV No Valve (Specify Hole Punching)
 PM1 Single Temp. Pneu. Metering
 PM2 Dual Temp. Pneu. Metering (Standard)
 EL1 Single Temp. Electronic

Drawing Approved For Manufacturing By: _____ Date: _____ Company: _____
 Wall Thickness: _____ Wall Type: _____

VERIFY ALL DIMENSIONS PRIOR TO ROUGH-IN



To specify fixture and accessories, use the Model Number and Options Guide.

Example: To specify an HS-1013-46-HC-FA front access handicap lavatory with security penal bubbler, dual temp. pneumatic metering valve. Use the following Willoughby Model Number:
 Willoughby Model Number: HS-1013-46-HC-FA-SBP-PM2

Willoughby Industries, Inc.

Made In The U.S.A.

