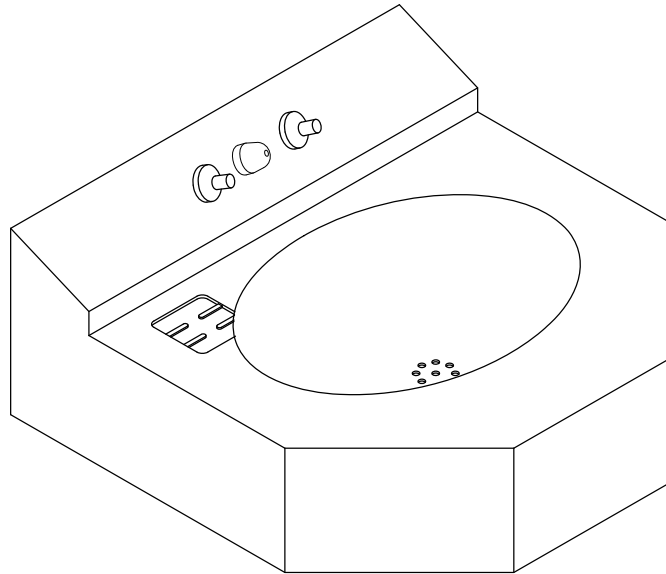


## HS-1013-46-HC

### Handicap 18" Wide Lavatory



### Recommended Specifications

---

Handicap lavatory shall be Willoughby Model No. **HS-1013-46-HC**. Designed to comply with the Americans with Disabilities Act of 1990.

Fixture shall be fabricated from 14 gauge, type 304 stainless steel. The construction shall be all-welded, with exposed stainless surfaces polished to a #4 satin finish.

Standard lavatory shall include: oval-shaped bowl, 13" x 9 1/2" x 6" deep, stainless steel penal filler/bubbler, fast drain

with air vent, elbow waste (1 1/2" FIP), and self-draining soap dish.

Cabinet interior shall be sound deadened with fire-resistant material.

Anchoring shall be by standard 4-point system: threaded rods, nuts and washers shall be furnished for walls up to 8" thick. Unit shall require chase area for installation and maintenance.

*Made In The U.S.A.*



*Visit our website at <http://www.willoughby-ind.com>*

2210 West Morris Street • P.O. Box 21217 • Indianapolis, IN 46221  
(317) 638-2381 • Fax: (317) 638-6110 • (800) 428-4065

# MODEL NUMBER AND OPTIONS

**1.) Lavatory Type:**

HS

MA2

MA3

MA4

(Specify Location)

TH2 Dual Towel Hook

(Specify Location)

WS Wall Sleeve

VG Ventilation Grille (Specify Location & Free Area)

**2.) Base Model Number:**

1013-46-HC 18" Handicap Lavatory

**3.) Bubbler or Spout Selection:**

SBC Security Code Bubbler

SBP Security Penal Bubbler

BPH Hemispherical Penal Bubbler

**5.) Lavatory Waste:**

EB Elbow Waste (Standard)

PT Integral P-Trap

LWE Lavatory Waste Extension

SD Slow Drain

LW1 Thru-Wall Extension, P-Trap

LW2 Thru-Wall Extension & Clean-out (Use w/ "PT" option)

PS1-DMB Single Temp Pneumatic Self Closing Valve W/Deck Mounted Bubbler

**4.) Valve Selection:**

NV No Valve (Specify Hole Punching)

PM1 Single Temp. Pneu.

Metering

PM2 Dual Temp. Pneu.

Metering

EL1 Single Temp. Electronic

EL2 Dual Temp. Electronic

PBH Hemispherical Pushbutton

Other: \_\_\_\_\_

Other: \_\_\_\_\_

**Valve Manifold Options:**

*Pneumatic or Electronic only:*

**6.) Options:**

MT Metal Template

TB1 Toothbrush Holder

(Specify Location)

TB2 Dual Toothbrush Holder

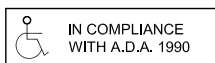
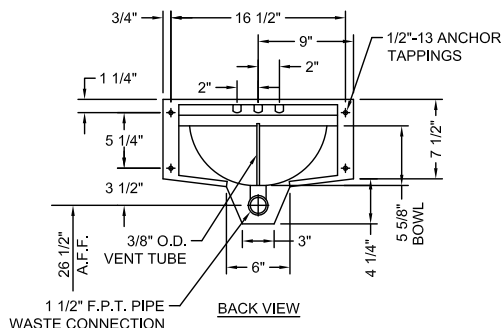
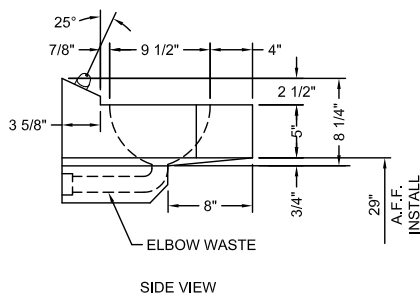
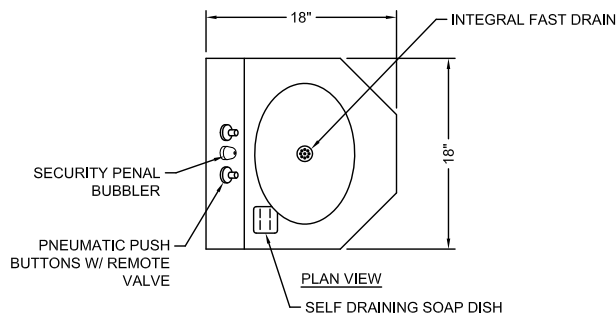
(Specify Location)

TH1 Single Towel Hook

Drawing Approved For Manufacturing By: \_\_\_\_\_ Date: \_\_\_\_\_ Company: \_\_\_\_\_

Wall Thickness: \_\_\_\_\_ Wall Type: \_\_\_\_\_

VERIFY ALL DIMENSIONS PRIOR TO ROUGH-IN



To specify fixture and accessories, use the Model Number and Options Guide.

Example: To specify an HS-1013-46-HC handicap lavatory with security penal filler/bubbler, dual temp. pneumatic metering valve, and single towel hook. Use the following Willoughby Model Number:

Willoughby Model Number: HS-1013-46-HC-SBP-PM2-TH1



*Made In The U.S.A.*

**Willoughby Industries, Inc.**