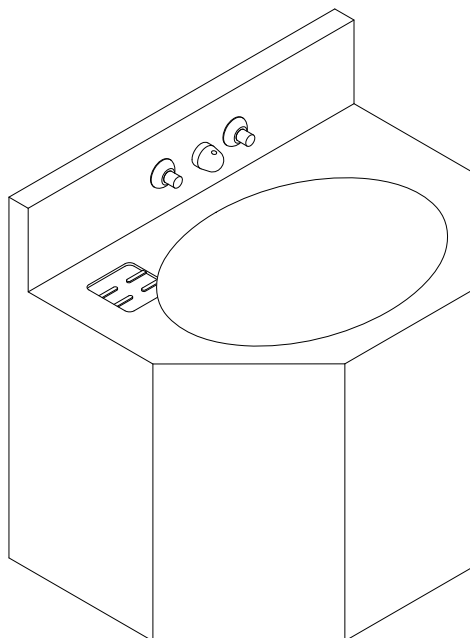


HS-1013-46 18" Wide Lavatory



Recommended Specifications

Lavatory shall be Willoughby Model No. **HS-1013-46**.

Fixture shall be fabricated from 14 gauge, type 304 stainless steel. The construction shall be all-welded, with exposed stainless surfaces polished to a #4 satin finish.

Standard lavatory shall include: oval-shaped bowl, 13" x 9 1/2" x 6" deep, stainless steel penal filler/bubbler, fast drain with air vent, elbow waste (1 1/2" FIP), and self-draining soap dish.

Cabinet interior shall be sound deadened with fire-resistant material.

Anchoring shall be by standard 4-point system: threaded rods, nuts and washers shall be furnished for walls up to 8" thick. Unit shall require chase area for installation and maintenance.

MODEL NUMBER AND OPTIONS

1.) Lavatory Type:

HS

2.) Base Model Number:

1013-46 18" Lavatory

3.) Bubblers or Spout Selection:

- BP Penal Bubbler
- BC Code Bubbler
- FL Lav/Filler
- BPH Hemispherical Penal Bubbler

4.) Valve Selection:

- NV No Valve (Specify Hole Punching)
- PS1 Single Temp. Pneu. Self-Closing
- PS2 Dual Temp. Pneu. Self-Closing
- PM1 Single Temp. Pneu. Metering
- PM2 Dual Temp. Pneu. Metering
- EL1 Single Temp. Electronic
- EL2 Dual Temp. Electronic
- PBH Hemispherical Pushbutton

Valve Manifold Options:

Pneumatic or Electronic only:

- MA2
- MA3
- MA4

5.) Lavatory Waste:

- EB Elbow Waste (Standard)
- PT Integral P-Trap
- LWE Lavatory Waste Extension
- SD Slow Drain
- LW1 Thru-Wall Extension, P-Trap
- LW2 Thru-Wall Extension & Clean-out (Use w/ "PT" option)

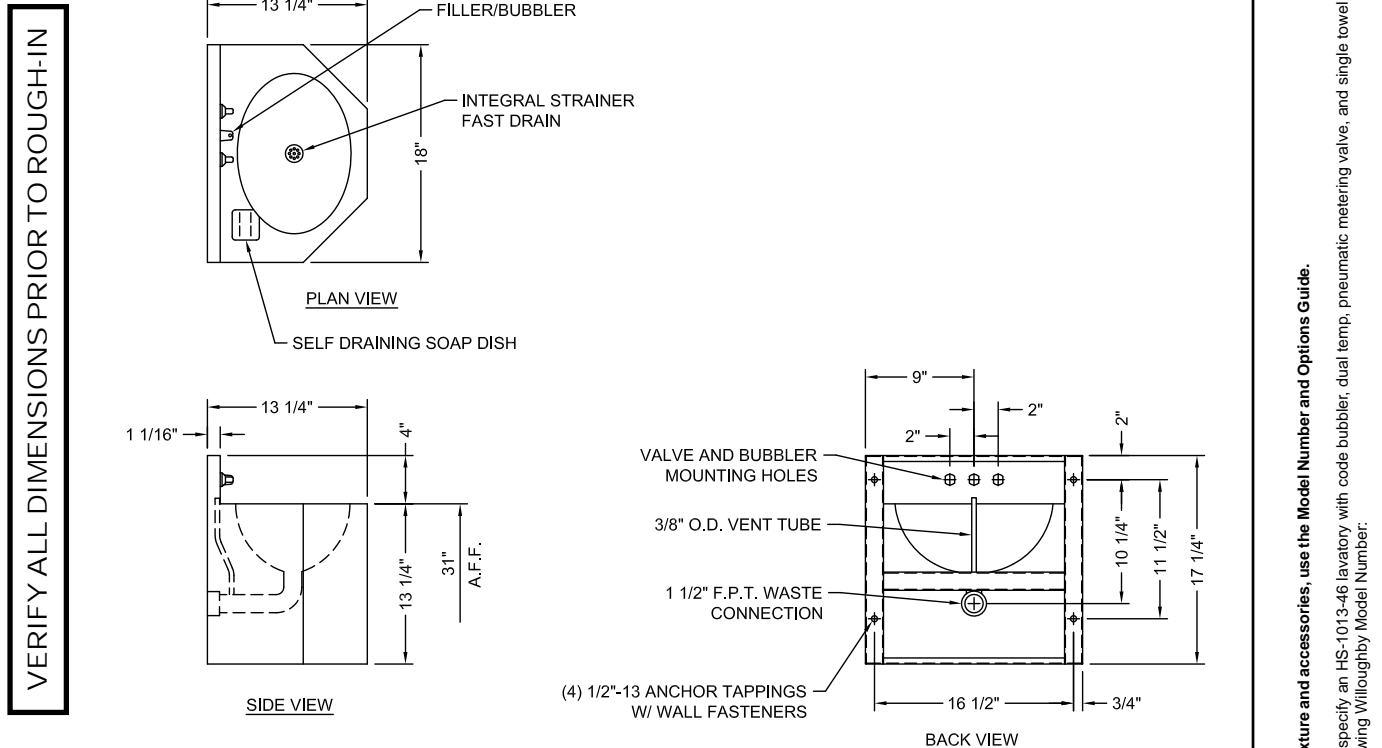
6.) Options:

- MT Metal Template
- TB1 Toothbrush Holder (Specify Location)
- TB2 Dual Toothbrush Holder (Specify Location)
- TH1 Single Towel Hook (Specify Location)

- TH2 Dual Towel Hook (Specify Location)
- FA Front Access Fixture
- WS Wall Sleeve
- ISH Integral Shelf
- VG Ventilation Grille (Specify Location & Free Area)

Other: _____
 Other: _____

Drawing Approved For Manufacturing By: _____ Date: _____ Company: _____
 Wall Thickness: _____ Wall Type: _____



To specify fixture and accessories, use the Model Number and Options Guide.
 Example: To specify an HS-1013-46 lavatory with code bubbler, dual temp, pneumatic metering valve, and single towel hook. Use the following Willoughby Model Number:
 Willoughby Model Number: HS-1013-46-BC-PM2-TH1

Willoughby Industries, Inc.