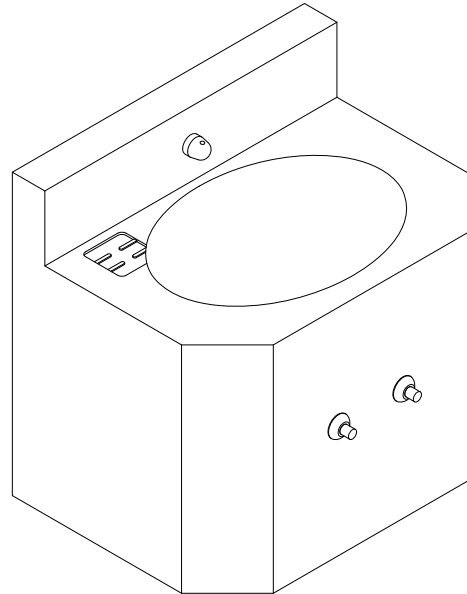


HS-1013-96-FA

Front Access

18" Wide

Lavatory



Recommended Specifications

Front Access lavatory shall be Willoughby Model No. **HS-1013-96-FA**.

Fixture shall be fabricated from 14 gauge, type 304 stainless steel. The construction shall be all-welded, with exposed stainless surfaces polished to a #4 satin finish.

Standard lavatory shall include: oval shaped bowl, 13" x 9 1/2" x 6" deep, stainless steel penal filler/bubbler, 1 1/2"

slip joint, cast brass union p-trap, factory mounted dual temperature pneumatic valve assembly, removable bottom panel attached with vandal resistant screws, and self-draining soap dish.

Anchoring shall be from the front with z-clip and anchoring holes provided. Anchoring hardware by others. Unit requires no chase area for installation or maintenance.

Made In The **U.S.A.**



Visit our website at <http://www.willoughby-ind.com>

2210 West Morris Street • P.O. Box 21217 • Indianapolis, IN 46221
(317) 638-2381 • Fax: (317) 638-6110 • (800) 428-4065

MODEL NUMBER AND OPTIONS

1.) Lavatory Type:

HS

SD Slow Drain

2.) Base Model Number:

1013-96 18" Lavatory

7.) Options:

MT Metal Template

TB1 Toothbrush Holder
(Specify Location)

3.) Front Access

FA Front Access

TB2 Dual Toothbrush Holder
(Specify Location)

4.) Bubbler or Spout Selection:

BP Penal Bubbler

BC Code Bubbler

FL Lav/Filler

BPH Hemispherical Penal Bubbler

TH1 Single Towel Hook
(Specify Location)

TH2 Dual Towel Hook
(Specify Location)

ISH Integral Shelf

Other: _____

Other: _____

5.) Valve Selection:

PM1 Single Temp. Pneu.
Metering

PM2 Dual Temp. Pneu.
Metering (Standard)

EL1 Single Temp. Electronic

EL2 Dual Temp. Electronic

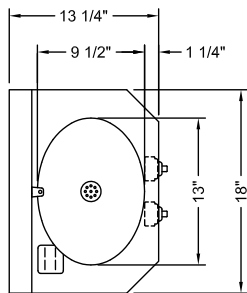
PBH Hemispherical Pushbutton

6.) Lavatory Waste:

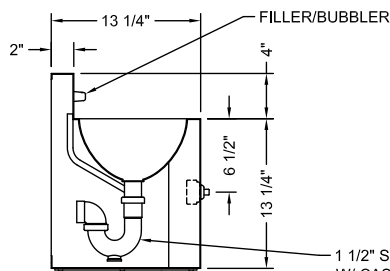
Drawing Approved For Manufacturing By: _____ Date: _____ Company: _____

Wall Thickness: _____ Wall Type: _____

VERIFY ALL DIMENSIONS PRIOR TO ROUGH-IN



PLAN VIEW

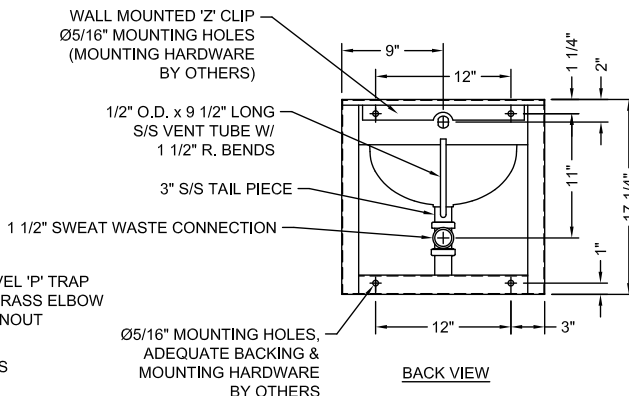


SIDE VIEW

FILLER/BUBBLER

1 1/2" SWIVEL 'P' TRAP
W/ CAST BRASS ELBOW
AND CLEANOUT

REMOVABLE BOTTOM
W/ SECURITY SCREWS



BACK VIEW

WALL MOUNTED 'Z' CLIP
Ø5/16" MOUNTING HOLES
(MOUNTING HARDWARE
BY OTHERS)

1/2" O.D. x 9 1/2" LONG
S/S VENT TUBE W/
1 1/2" R. BENDS

3" S/S TAIL PIECE

1 1/2" SWEAT WASTE CONNECTION

Ø5/16" MOUNTING HOLES,
ADEQUATE BACKING &
MOUNTING HARDWARE
BY OTHERS



Made In The U.S.A.

Willoughby Industries, Inc.

To specify fixture and accessories, use the Model Number and Options Guide.

Example: To specify an HS-1013-96-FA front access lavatory with code bubbler, dual temp. pneumatic metering valve. Use the following Willoughby Model Number:

Willoughby Model Number: HS-1013-96-FA-BC-PM2