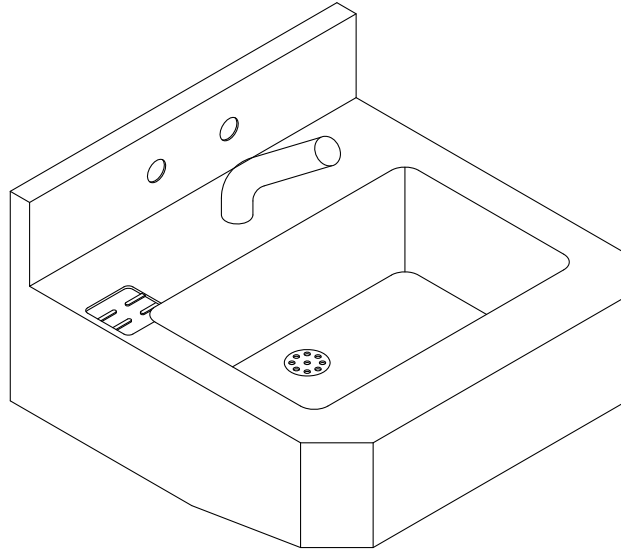


HS-1014-96-HC

Handicap 18" Wide Lavatory



Recommended Specifications

Handicap lavatory shall be Willoughby Model No. **HS-1014-96-HC**. Designed to comply with the Americans with Disabilities Act of 1990.

Fixture shall be fabricated from 14 gauge, type 304 stainless steel. The construction shall be all-welded, with exposed stainless surfaces polished to a #4 satin finish.

Standard lavatory shall include: rectangular-shaped bowl, 14 1/2" x 9 1/2" x 5 1/2" deep, fast drain with air vent, elbow waste (1 1/2" FIP), and self-draining soap dish.

Cabinet interior shall be sound deadened with fire-resistant material.

Anchoring shall be by standard 4-point system: threaded rods, nuts and washers shall be furnished for walls up to 8" thick. Unit shall require chase area for installation and maintenance.

Note: lav/filler and bubbler are not available on this lavatory.

Made In The **U.S.A.**



Visit our website at <http://www.willoughby-ind.com>

2210 West Morris Street • P.O. Box 21217 • Indianapolis, IN 46221
(317) 638-2381 • Fax: (317) 638-6110 • (800) 428-4065

MODEL NUMBER AND OPTIONS

1.) Lavatory Type:

HS

MA2

MA3

MA4

2.) Base Model Number:

1014-96-HC 18" Handicap Lavatory

3.) Bubblers or Spout Selection:

DMS Deck Mounted Spout

DMB Deck Mounted Bubbler

DMBH Anti-Suicide Deck Mounted Bubbler

Faucet by Others

4.) Valve Selection:

NV No Valve (Specify Hole Punching)

PM1 Single Temp. Pneu. Metering

PM2 Dual Temp. Pneu. Metering

EL1 Single Temp. Electronic

EL2 Dual Temp. Electronic

PBH Hemispherical Pushbutton

Valve Manifold Options:

Pneumatic or Electronic only:

5.) Lavatory Waste:

EB Elbow Waste (Standard)

LWE Lavatory Waste Extension

SD Slow Drain

LW1 Thru-Wall Extension, P-Trap

FA Front Access Fixture

WS Wall Sleeve

ISH Integral Shelf

VG Ventilation Grille (Specify Location & Free Area)

Other: _____

Other: _____

6.) Options:

MT Metal Template

TB1 Toothbrush Holder (Specify Location)

TB2 Toothbrush Holder (Specify Location)

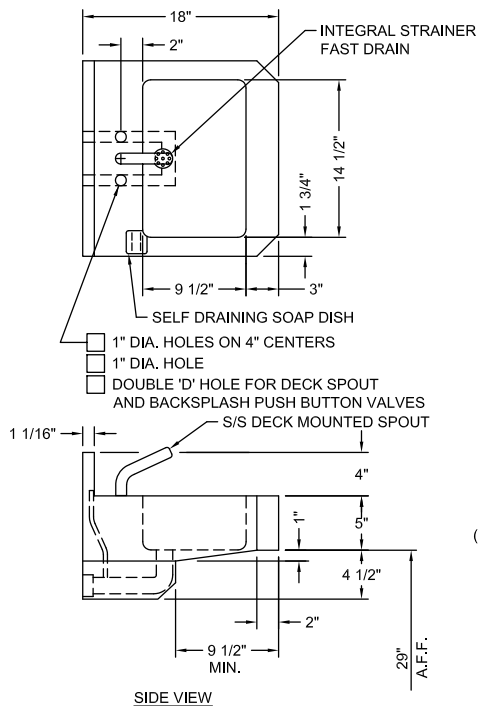
TH1 Single Towel Hook (Specify Location)

TB2 Dual Toothbrush Holder (Specify Location)

Drawing Approved For Manufacturing By: _____ Date: _____ Company: _____

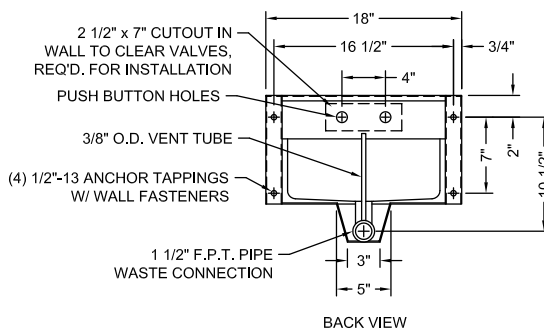
Wall Thickness: _____ Wall Type: _____

VERIFY ALL DIMENSIONS PRIOR TO ROUGH-IN



IN COMPLIANCE WITH A.D.A.

NOTE:
5" DEEP RECTANGULAR SINK BOWL



To specify fixture and accessories, use the Model Number and Options Guide.

Example: To specify an HS-1014-96-HC handicap lavatory with single towel hook. Use the following Willoughby Model Number:
Willoughby Model Number: HS-1014-96-HC-NV-TH1

Made In The U.S.A.



Willoughby Industries, Inc.