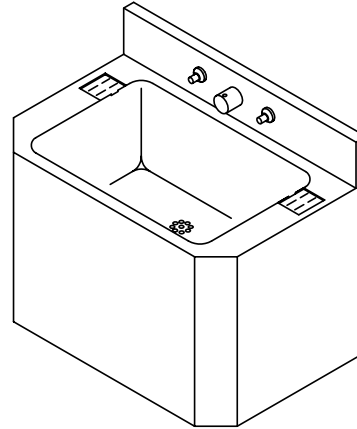


## HS-1015-20 20" Wide Lavatory



### Recommended Specifications

---

Lavatory shall be Willoughby Model No. **HS-1015-20**.

Fixture shall be fabricated from 14 gauge, type 304 stainless steel. The construction shall be all-welded, with exposed stainless surfaces polished to a #4 satin finish.

Standard lavatory shall include: rectangular bowl, 9 1/2" x 14 1/2" x 6" deep, stainless steel penal filler/bubbler, fast drain with air vent, elbow waste (1 1/2" FIP) and self-draining soap dishes.

Cabinet interior shall be sound deadened with fire-resistant material.

Anchoring shall be by standard 4-point system: threaded rods, nuts and washers shall be furnished for walls up to 8" thick. Unit shall require chase area for installation and maintenance.

*Visit our website at <http://www.willoughby-ind.com>*

2210 West Morris Street • P.O. Box 21217 • Indianapolis, IN 46221  
(317) 638-2381 • Fax: (317) 638-6110 • (800) 428-4065

