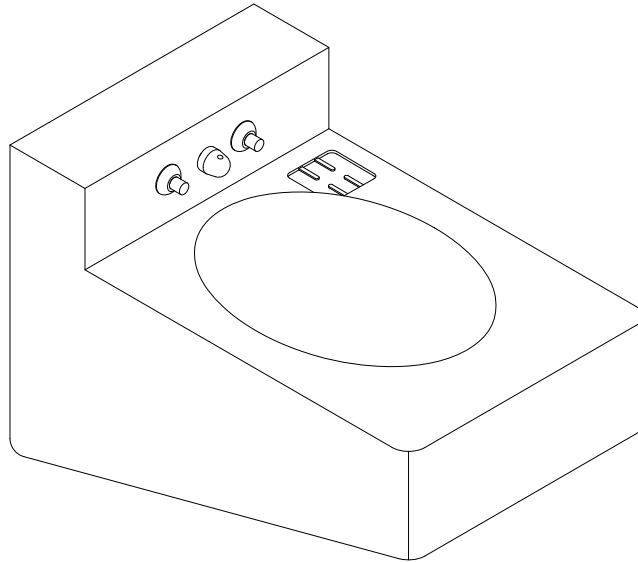


HS-1310-96-HC

Handicap

Lavatory (45° Chase)



Recommended Specifications

Handicap lavatory shall be Willoughby Model No. **HS-1310-96-HC**. Designed to comply with the Americans with Disabilities Act of 1990.

Fixture shall be fabricated from 14 gauge, type 304 stainless steel. The construction shall be all-welded, with exposed stainless surfaces polished to a #4 satin finish.

Standard lavatory shall include: oval-shaped bowl, 13" x 9 1/2" x 5 5/8" deep, stainless steel penal filler/bubbler, fast

drain with air vent, elbow waste (1 1/2" FIP), and self-draining soap dish.

Cabinet interior shall be sound deadened with fire-resistant material.

Anchoring shall be by standard 4-point system: threaded rods, nuts and washers shall be furnished for walls up to 8" thick. Unit shall require chase area for installation and maintenance.

*Specify in conjunction with 1445 Series Water Closet

Made In The **U.S.A.**



Visit our website at <http://www.willoughby-ind.com>

2210 West Morris Street • P.O. Box 21217 • Indianapolis, IN 46221
(317) 638-2381 • Fax: (317) 638-6110 • (800) 428-4065

MODEL NUMBER AND OPTIONS

1.) Lavatory Type:

HS

2.) Base Model Number:

1310-96 18" Handicap Lavatory

3.) Bubbler or Spout Selection:

- BP Penal Bubbler
- BC Code Bubbler
- FL Lav/Filler
- BPH Hemispherical Penal Bubbler

4.) Valve Selection:

- NV No Valve (Specify Hole Punching)
- PM1 Single Temp. Pneu. Metering
- PM2 Dual Temp. Pneu. Metering
- EL1 Single Temp. Electronic
- EL2 Dual Temp. Electronic

PBH Hemispherical Pushbutton

Valve Manifold Options:

Pneumatic or Electronic only:

- MA2
- MA3
- MA4

5.) Lavatory Waste:

- EB Elbow Waste (Standard)
- LW1 Thru-Wall Extension, P-Trap
- SD Slow Drain
- LW1 Thru-Wall Extension, P-Trap
- FD Fast Drain (Standard)
- LW2 Lavatory Waste Extension

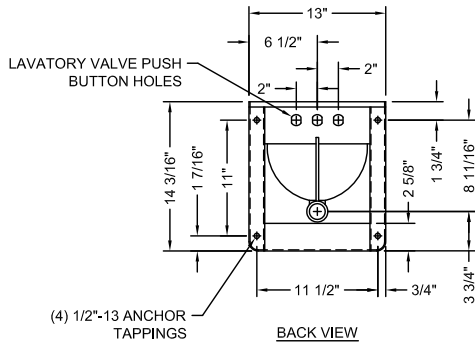
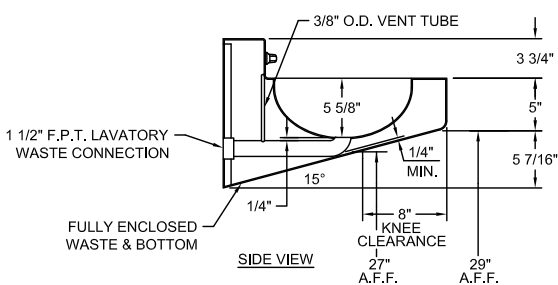
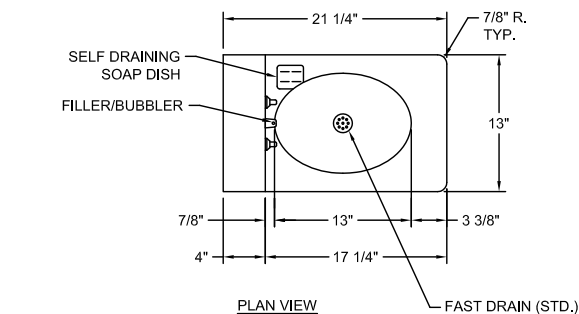
6.) Options:

- MT Metal Template
- TB1 Toothbrush Holder (Specify Location)
- TB2 Dual Toothbrush Holder (Specify Location)
- TH1 Single Towel Hook (Specify Location)
- TH2 Dual Towel Hook (Specify Location)
- WS Wall Sleeve
- VG Ventilation Grille (Specify Location & Free Area)
- GB22 "S" Shaped Grab Bar
- GB42 42" Grab Bar

Other: _____
 Other: _____

Drawing Approved For Manufacturing By: _____ Date: _____ Company: _____
 Wall Thickness: _____ Wall Type: _____

VERIFY ALL DIMENSIONS PRIOR TO ROUGH-IN



To specify fixture and accessories, use the Model Number and Options Guide.
 Example: To specify an HS-1310-96 handicap lavatory with code bubbler, dual temp, pneumatic metering valve, single towel hook, and wall sleeve. Use the following Willoughby Model Number:
 Willoughby Model Number: HS-1310-96-HC-PM2-TH1-WS

Made In The U.S.A.



Willoughby Industries, Inc.