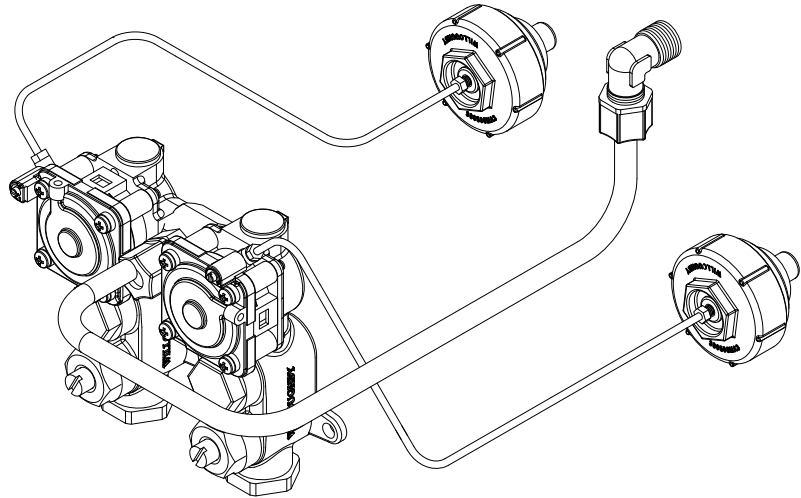




PS2 / PM2 Dual Temperature Pneumatic Valve

| ✓ | MODEL NUMBER | FUNCTION TYPE |
|---|--------------|---------------|
| | PS2 | SELF-CLOSING |
| | PM2 | METERING |



Recommended Specifications

Pneumatic valve assembly shall be Willoughby Model No. __2 (select from table above). The valve assembly shall use diaphragm pumps to pneumatically activate a self-closing or non-hold open metering (5-90 seconds) pneumatic valve assembly. The pushbuttons shall require less than 5 lbs. of force to operate. Vandal resistant diaphragm style pushbuttons and keyed pump bodies shall be non-removable from the front of the fixture.

The valve checkstop/strainers shall be cast brass with integral mounting lugs. Replaceable stainless steel strainers and optional 0.5 GPM flow control shall be serviced without disturbing the supply line. The connection to the filler/bubbler/showerhead shall be flexible tubing. Water inlets shall be 1/2" FPT and shall be reversible for either top or bottom supply. The valve assembly shall be accessible from the pipe chase only.

Flexible tubing shall be supplied for walls up to 8 inches thick. Recommended operating pressure shall be 35-70 psi. Valve shall withstand pressures up to 90 psi. The maximum length for tubing between the pushbutton actuator and the valve is 20 feet. The pneumatic system shall be entirely self-contained and shall require no outside air supply. Cost reducing manifolded valves shall consist of multiple valve assemblies served by a common supply line.

* Not for use in states of California and Vermont.

Visit our website at <http://www.willoughby-ind.com>

2210 West Morris Street • P.O. Box 21217 • Indianapolis, IN 46221

(317) 638-2381 • Fax: (317) 638-6110 • (800) 428-4065

Function Selection: (choose one)

- Self-Closing (PS2)
- Metering (PM2)

Flow Selection: (choose one)

- 0.5 GPM Flow (lavatories)
- NFC* (No Flow Control)
(showers, up to MA2)

* This is not a substitute for a thermostatic mixing valve. The delivered water temperature is the result of the two combined inlet temperatures and can not be adjusted by this valve assembly. The hot side of the valve must be supplied with tempered water.

Options:

- MA2 (Double Manifold, no flow limitations)
- MA3 (Triple Manifold, 0.5 GPM flow only)
- MA4 (Quad Manifold, 0.5 GPM flow only)



Made In The U.S.A.