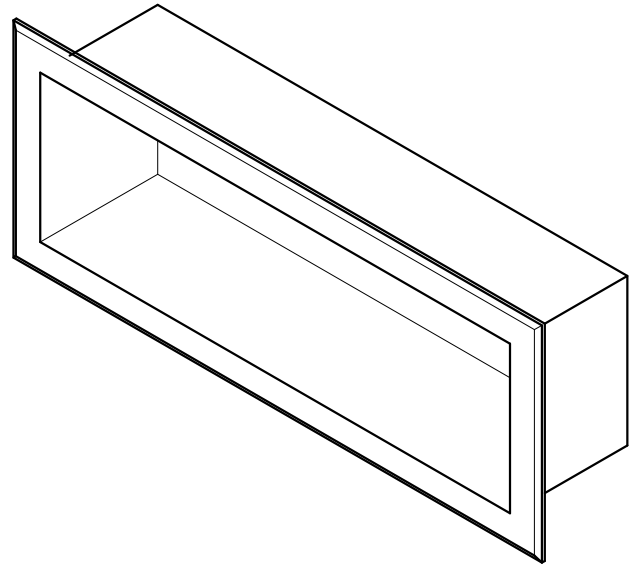


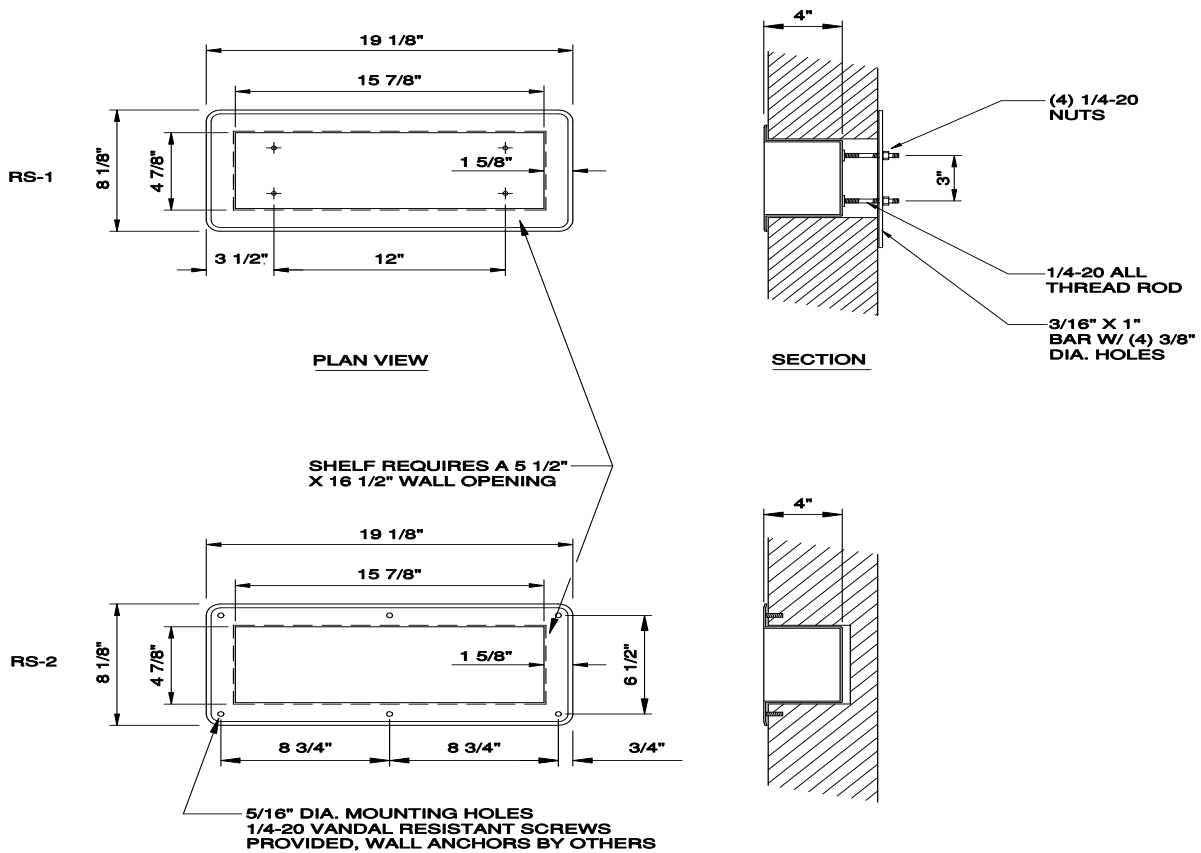
## RS Series Recessed Shelf

✓	MODEL NUMBER	MOUNTING CONFIGURATION
	RS-1	Rear Mounting
	RS-2	Flange Mounting



**RS-** recessed shelf shall be fabricated entirely of 16 gauge, type 304 stainless steel. Exposed flange surfaces shall be polished to a #4 satin finish. Shelf is available in both rear mounting (RM) or flange mounting (FM) configuration.

Shelf assembly (RS-1) supplied with anchoring hardware. Shelf assembly (RS-2) supplied with vandal resistant security screws, wall anchors by others.



Made In The U.S.A.



Visit our website at <http://www.willoughby-ind.com>

2210 West Morris Street • P.O. Box 21217 • Indianapolis, IN 46221

(317) 638-2381 • Fax: (317) 638-6110 • (800) 428-4065