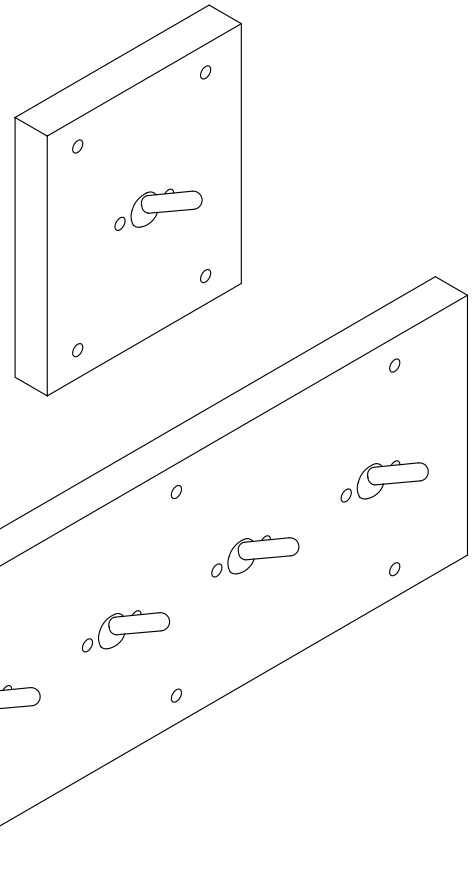


## TH Series Release Towel Hook

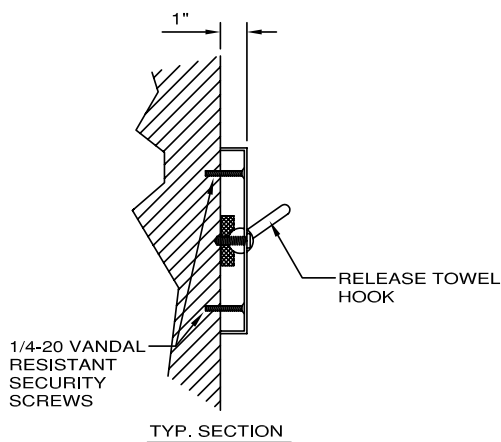
✓	MODEL NUMBER	QTY OF HOOKS
	TH-3	1
	TH-4	4



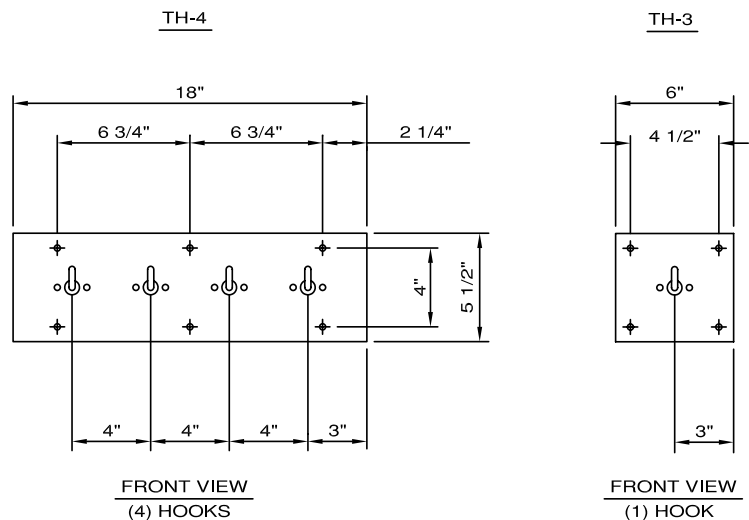
TH-\_\_ release towel hook assembly shall be fabricated from type 304 stainless steel. Exposed stainless steel surfaces shall be polished to a #4 satin finish.

Pressure activated release towel hook(s) will support light clothing & towel loads, however, excessive hook loads will cause downward hook release.

Hook assemblies supplied with vandal resistant stainless steel security screws. Wall anchors by others.



P971056B.DWG



Visit our website at <http://www.willoughby-ind.com>

2210 West Morris Street • P.O. Box 21217 • Indianapolis, IN 46221

(317) 638-2381 • Fax: (317) 638-6110 • (800) 428-4065