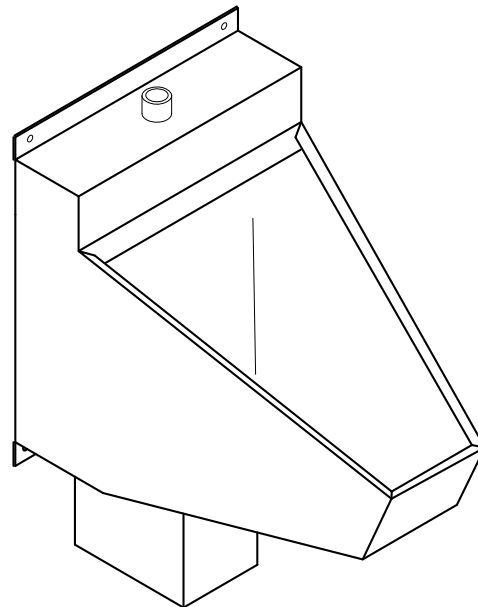


## UW-1412-WO-FA Series Front Mounted Straddle Urinal Washout Type

✓	MODEL NUMBER	FLUSH TYPE	INLET LOCATION
	UW-1412-WO-BS-FA	WASHOUT	BACK
	UW-1412-WO-TS-FA	WASHOUT	TOP



### Recommended Specifications

Front mounted wall hung straddle urinal shall be Willoughby Model No. **UW-1412-WO-\_\_-FA** (select from table above).

Fixture shall be fabricated from 14 gauge, type 304 stainless steel. The construction shall be all-welded, with exposed stainless surfaces polished to a #4 satin finish.

Standard equipment shall include: full perimeter 360 degree flushing rim, beehive strainer, 1 1/2" FIP slip-joint p-trap and removable p-trap access. Urinal shall be washout type which requires 25 psi minimum flushing pressure. Trap shall be fully enclosed, maintain a 3" seal.

Anchoring shall be from the front with anchoring hardware by others. Unit requires no chase area for installation and maintenance.

Made In The **U.S.A.**



Visit our website at <http://www.willoughby-ind.com>

2210 West Morris Street • P.O. Box 21217 • Indianapolis, IN 46221

(317) 638-2381 • Fax: (317) 638-6110 • (800) 428-4065

## MODEL NUMBER AND OPTIONS:

**1.) Urinal Waste Location:**

- UW Wall Outlet

**2.) Base Model Number:**

- 1412 Straddle Urinal

**3.) Flush Type:**

- WO Wash-out

**4.) Inlet Location:**

- BS Back Spud  
 TS Top Spud

**5.) Flush Valve GPF's (Must Specify):**

- 1.0 (Low Flow)  
 0.5 (High Efficiency)

**6.) Front Access:**

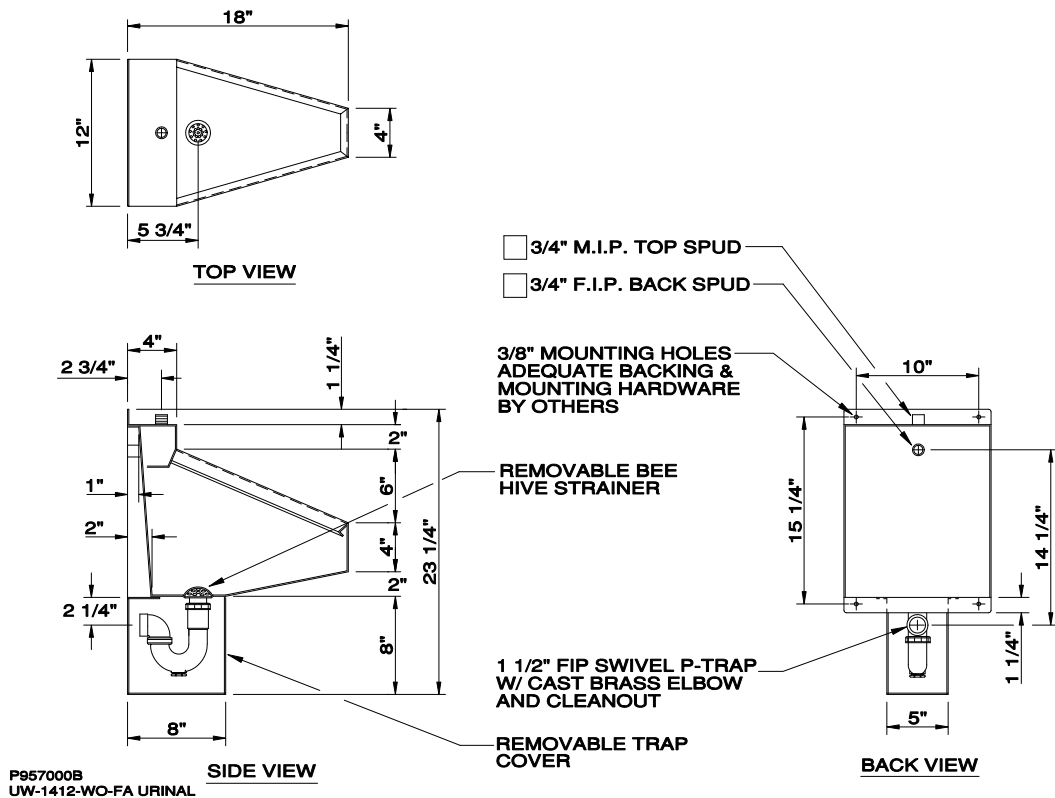
- FA Front Access

**7.) Options:**

- MT Metal Template  
 FV Flush Valve  
 FVC Flush Valve Cover (Top Spud)  
 FVT Flush Valve Thru-Wall Connection  
 (Requires Back Spud Option)  
 AP Flush Valve Access Panel  
 Other: \_\_\_\_\_  
 Other: \_\_\_\_\_

Drawing Approved For Manufacturing By: \_\_\_\_\_ Date: \_\_\_\_\_ Company: \_\_\_\_\_  
 Wall Thickness: \_\_\_\_\_ Wall Type: \_\_\_\_\_

**VERIFY ALL DIMENSIONS PRIOR TO ROUGH-IN**



**To specify fixture and accessories, use the Model Number and Options Guide.**  
 Example: To specify a UW-1412-WO-FA front mounted straddle urinal with back spud.  
 Use the following Willoughby Model Number:  
 Willoughby Model Number: UW-1412-WO-BS-FA

**Willoughby Industries, Inc.**

Made In The U.S.A.

