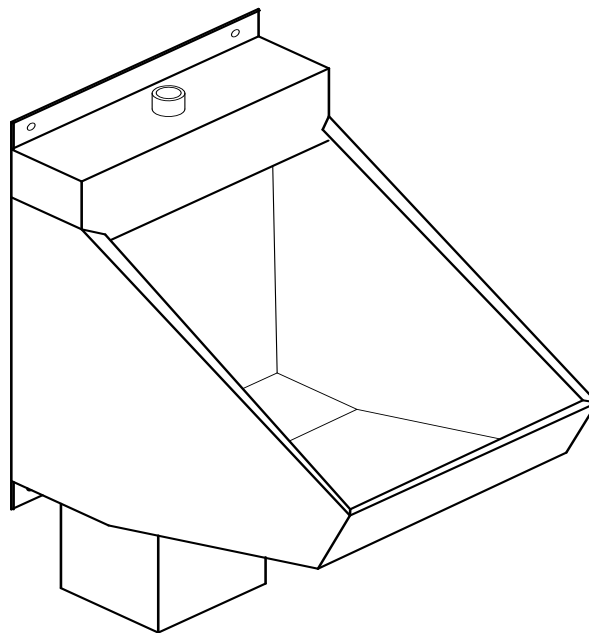


UW-1814-WO-FA Series Front Mounted Single Person Trough Urinal Washout Type



✓	MODEL NUMBER	FLUSH TYPE	INLET LOCATION
	UW-1814-WO-BS-FA	WASHOUT	BACK
	UW-1814-WO-TS-FA	WASHOUT	TOP

Recommended Specifications

Front mounted wall hung single person trough urinal shall be Willoughby Model No. **UW-1814-WO-__-FA** (select from table above).

Fixture shall be fabricated from 14 gauge, type 304 stainless steel. The construction shall be all-welded, with exposed stainless surfaces polished to a #4 satin finish.

Standard equipment shall include: full perimeter 360 de-

gree flushing rim, beehive strainer, and 1 1/2" slip-joint p-trap and removable p-trap access. Urinal shall be washout type which requires 25 psi minimum flushing pressure. Trap shall be fully enclosed, maintain a 3" seal.

Anchoring shall be from z-clip and anchoring holes provided. Anchoring hardware by others. Unit requires no chase area for installation and maintenance.

Made In The U.S.A.



Visit our website at <http://www.willoughby-ind.com>

2210 West Morris Street • P.O. Box 21217 • Indianapolis, IN 46221

(317) 638-2381 • Fax: (317) 638-6110 • (800) 428-4065

MODEL NUMBER AND OPTIONS:

1.) Urinal Waste Location:

UW Wall Outlet

2.) Base Model Number:

1814 Single Person Trough Urinal

3.) Flush Type:

WO Wash-out

4.) Inlet Location:

BS Back Spud

TS Top Spud

5.) Flush Valve GPF's (Must Specify):

1.0 (Low Flow)

0.5 (High Efficiency)

6.) Front Access:

FA Front Access

7.) Options:

MT Metal Template

FV Flush Valve

FVC Flush Valve Cover (Top Spud)

FVT Flush Valve Thru-Wall Connection
(Requires Back Spud Option)

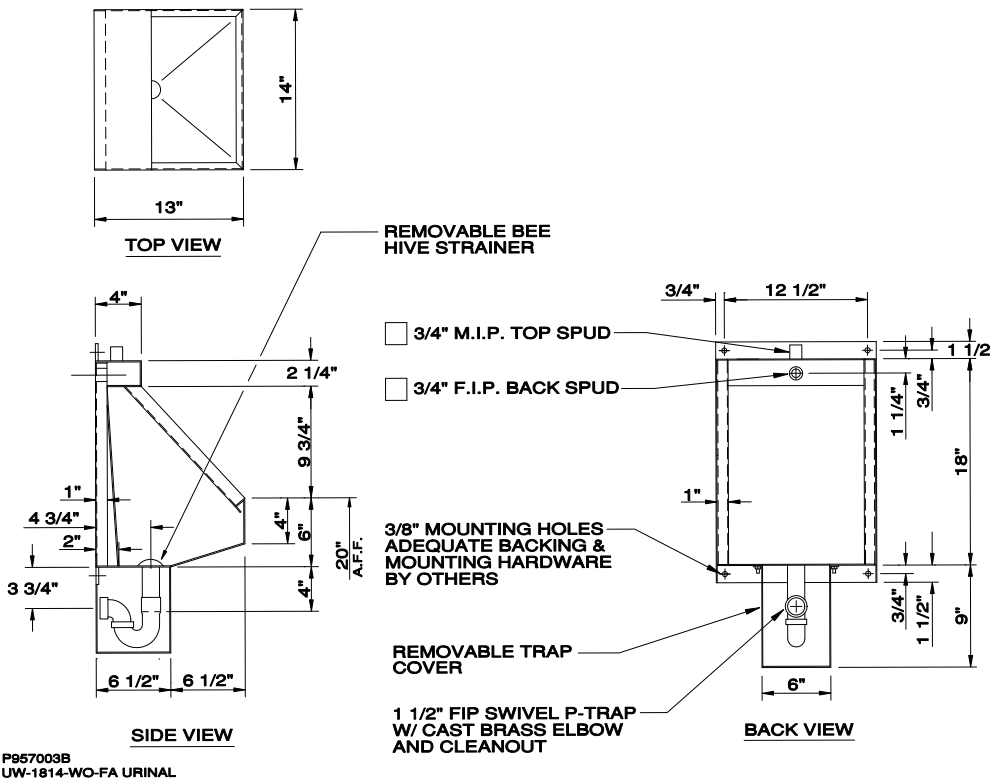
AP Flush Valve Access Panel

Other: _____

Other: _____

Drawing Approved For Manufacturing By: _____ Date: _____ Company: _____
 Wall Thickness: _____ Wall Type: _____

VERIFY ALL DIMENSIONS PRIOR TO ROUGH-IN



To specify fixture and accessories, use the Model Number and Options Guide.
 Example: To specify a UW-1814-WO-FA front mounted single person blow-out trough urinal with back spud.
 Use the following Willoughby Model Number:
 Willoughby Model Number: UW-1814-WO-BS-FA

Willoughby Industries, Inc.

Made In The U.S.A.

