

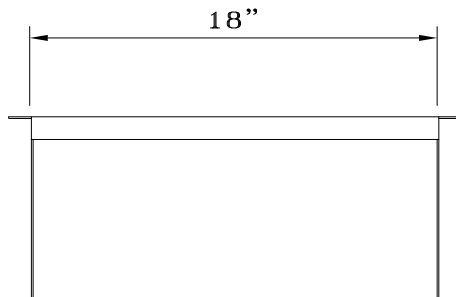
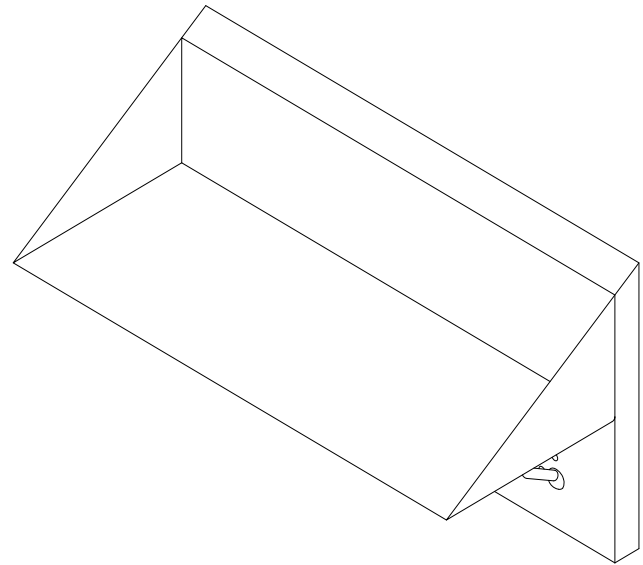
WA Series Release Towel Hook with Integral Shelf

✓	MODEL NUMBER	QTY. OF HOOKS
	WA-1824	4

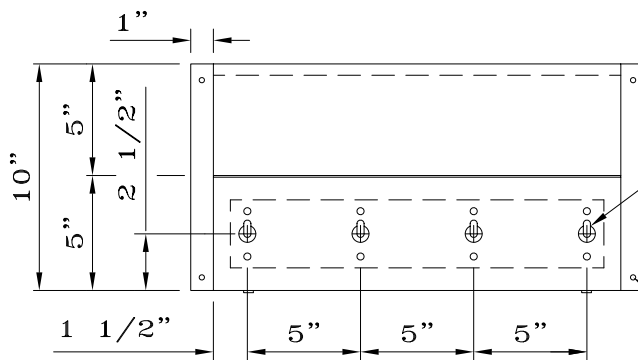
WA-_____ Release towel hook assembly with integral shelf shall be fabricated from type 304 stainless steel. Exposed stainless steel surfaces shall be polished to a #4 satin finish.

Pressure activated release towel hook(s) will support light clothing & towel loads, however, excessive hook loads will cause downward hook release.

Hook assemblies supplied with vandal resistant stainless steel security screws. Wall anchors by others.



PLAN VIEW



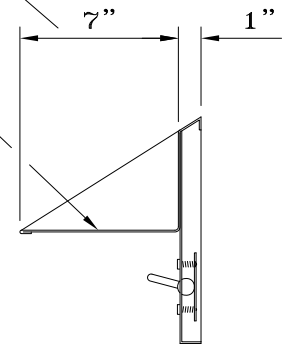
FRONT VIEW

14 GA. S/S Z-CLIP, W/ 5/16" DIA. ANCHORING HOLES (ANCHORING HARDWARE BY OTHERS)

14 GA. S/S SHELF & BACK PLATE

(4) RELEASE TOWEL HOOKS

(4) 5/16" DIA. HOLES LESS ANCHORING HARDWARE SECTION



Made In The **U.S.A.**

Visit our website at <http://www.willoughby-ind.com>

2210 West Morris Street • P.O. Box 21217 • Indianapolis, IN 46221

(317) 638-2381 • Fax: (317) 638-6110 • (800) 428-4065

