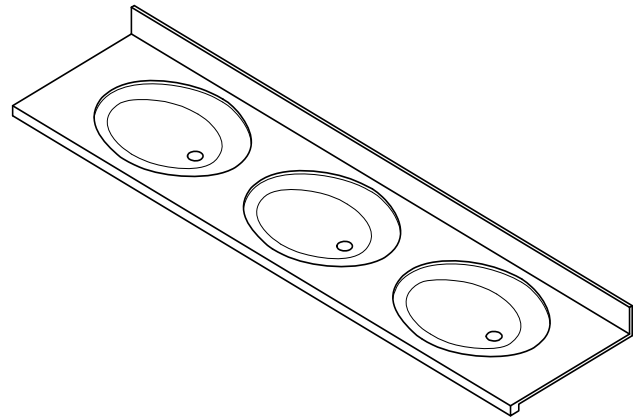


## AquaDeck Lavatory Deck 2230 Series



✓	MODEL NUMBER	NUMBER OF BOWLS	OVERALL SIZE
	WAD-2230-1	1	30"x 22"
	WAD-2230-2	2	60"x 22"
	WAD-2230-3	3	90"x 22"
	WAD-2230-4	4	120"x 22"

### Recommended Specifications

Solid surface lavatory deck shall be Willoughby Aquasurf® Model No. WAD-2230-\_\_ (Select from table above).

The lavatory deck shall be constructed of Aquasurf® molded cast polymer densified solid surface material composed of polyester/acrylic resin, UV stabilizer, aluminum trihydrate and mineral fillers. AquaDeck lavatory deck is a modular cast component with integral oval bowl and soap/faucet ledge. An integrally cast 4" covered backsplash, and 1½" squared eased front edge is included. Front edge is square eased, sides are straight.

The Aquasurf® solid surface material is resistant to stains, impact and burns. Surface damage can be easily repaired with everyday cleansers and/or fine grit abrasives.

Unit supplied with overflow in basin and hole for 1¼" pop-up drain.

Unit to be supported by wall carriers, supplied by others. Optional wall brackets are available.

#### ADA, TAS, UFAS and ANSI Compliant:

When the deck is mounted at standard 34" rim height it is compliant with applicable ADA, TAS, UFAS and ANSI Z124.3 and Z124.6 accessibility guidelines.

#### Optional Features:

Aquasurf® lavatory decks offer liquid soap dispensers as optional accessories. Aquasurf® lavatory decks can also be supplied with a rim height of 28" for use by juveniles.

Visit our website at <http://www.willoughby-ind.com>

2210 West Morris Street • P.O. Box 21217 • Indianapolis, IN 46221  
(317) 638-2381 • Fax: (317) 638-6110 • (800) 428-4065

## MODEL NUMBER AND OPTIONS:

### 1.) Lavatory Deck:

- WAD-2230-1
- WAD-2230-2
- WAD-2230-3
- WAD-2230-4

### 2.) Faucet Drilling:

- 4CC 4" Centerset
- 8CC 8" Centerset
- 1CC Center Shank

### 3.) Solid Surface Color:

- GG1 Gray Granite
- SS1 Sandstone
- WG1 White Granite
- BG1 Black Granite
- NB1 Nocturnal Blue
- RC1 Red Coral
- SG1 Sea Green
- B1 Bone
- GW1 Glacier White

### 4.) Edge Style:

- BN Bullnose
- BV Beveled

### 5.) Options:

- LSD Liquid Soap Dispenser
- JR Junior Height (28" Rim Height)
- WADSS-BRKT Reversible Angle Bracket
- WADSS-0422R Right Side Splash
- WADSS-0422L Left Side Splash
- WAD-AP-430 3/8" Field Applied Front Apron
- WAD-AP-460 3/8" Field Applied Front Apron
- WAD-AP-490 3/8" Field Applied Front Apron
- WAD-AP-4120 3/8" Field Applied Front Apron
- WAD-AP-422 3/8" Field Applied Side Apron
- W-SS-DS27 27" Modular Section Drain Shroud
- Other \_\_\_\_\_
- Other \_\_\_\_\_

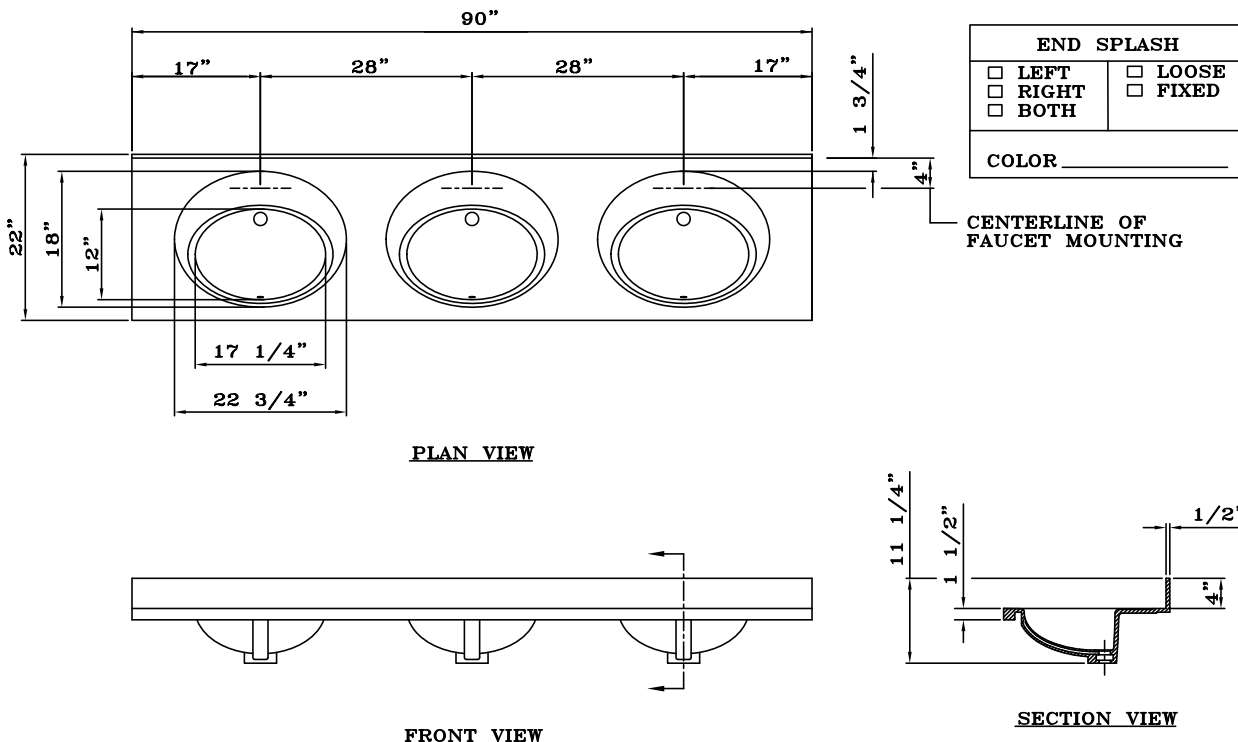
To specify fixture and accessories, use the Model Number and Options Guide.

Example: To specify a 2 station 2230 series lavatory deck with 4" centerset faucet holes, Red Coral color, beveled edge, and a left side splash, use the following Willoughby Model Number:  
Willoughby Model Number: WAD-2230-2-4CC-RC1-BV-WADSS-0422L

Drawing Approved For Manufacturing By: \_\_\_\_\_ Date: \_\_\_\_\_ Company: \_\_\_\_\_  
 Wall Thickness: \_\_\_\_\_ Wall Type: \_\_\_\_\_



**Do Not Use For Rough-In!**



## Willoughby Industries, Inc.