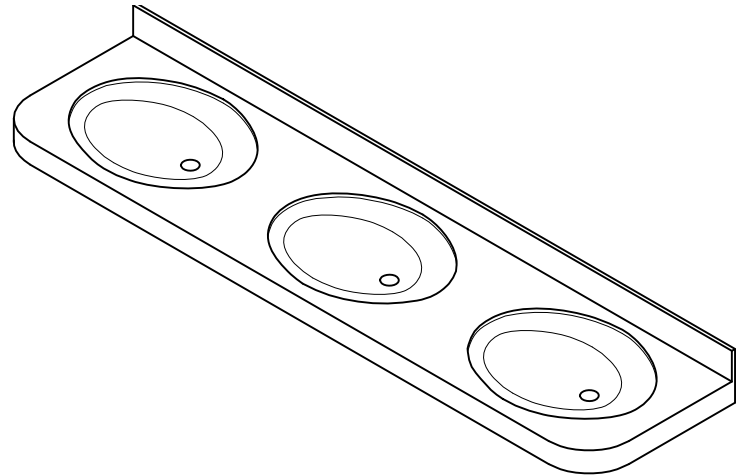


## AquaDeck Lavatory Deck 2250 Series



✓	MODEL NUMBER	NUMBER OF BOWLS	OVERALL SIZE
	WAD-2250-1	1	30"x 22"
	WAD-2250-2	2	60"x 22"
	WAD-2250-3	3	90"x 22"
	WAD-2250-4	4	120"x 22"

### Recommended Specifications

Solid surface lavatory deck shall be Willoughby Aquasurf® Model No. WAD-2250-\_\_ (Select from table above).

The lavatory deck shall be constructed of Aquasurf® molded cast polymer densified solid surface material composed of polyester/acrylic resin, UV stabilizer, aluminum trihydrate and mineral fillers. Lavatory deck is a modular cast component with integral oval bowl and soap/faucet ledge. Lavatory deck consisting of radius corners with integral front apron, side aprons, and backsplash. All edges square eased.

The Aquasurf® solid surface material is resistant to stains, impact and burns. Surface damage can be easily repaired with everyday cleansers and/or fine grit abrasives.

Unit supplied with overflow in basin and hole for 1 1/4" pop-up drain.

Unit to be supported by wall carriers, supplied by others. Optional wall brackets are available.

#### **ADA, TAS, UFAS and ANSI Compliant:**

When the deck is mounted at standard 34" rim height it is compliant with applicable ADA, TAS, UFAS and ANSI Z124.3 and Z124.6 accessibility guidelines.

#### **Optional Features:**

Aquasurf® lavatory decks offer liquid soap dispensers as optional accessories. Aquasurf® lavatory decks can also be supplied with a rim height of 28" for use by juveniles.

Visit our website at <http://www.willoughby-ind.com>

2210 West Morris Street • P.O. Box 21217 • Indianapolis, IN 46221  
(317) 638-2381 • Fax: (317) 638-6110 • (800) 428-4065

## MODEL NUMBER AND OPTIONS:

**1.) Lavatory Deck:**

- WAD-2250-1
- WAD-2250-2
- WAD-2250-3
- WAD-2250-4

**2.) Faucet Drilling:**

- 4CC 4" Centerset
- 8CC 8" Centerset
- 1CC Center Shank

**3.) Solid Surface Color:**

- GG1 Gray Granite
- SS1 Sandstone
- WG1 White Granite
- BG1 Black Granite
- NB1 Nocturnal Blue
- RC1 Red Coral
- SG1 Sea Green
- B1 Bone
- GW1 Glacier White

**4.) Edge Style:**

- BN Bullnose
- BV Beveled

**5.) Options:**

- LSD Liquid Soap Dispenser
- JR Junior Height (28" Rim Height)
- WADSS-BRKT Reversible Angle Bracket
- WADSS-0412R Right Side Splash
- WADSS-0412L Left Side Splash
- Other \_\_\_\_\_
- Other \_\_\_\_\_

To specify fixture and accessories, use the Model Number and Options Guide.

Example: To specify a 4 station 2250 series lavatory deck with 8" centerset faucet holes, Bone color, beveled edge, and a left side splash, use the following Willoughby Model Number:

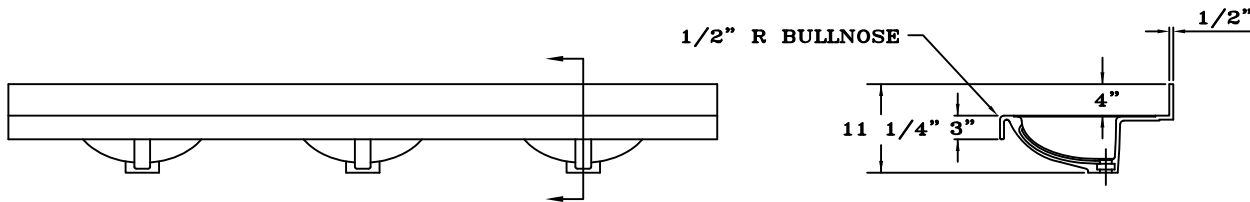
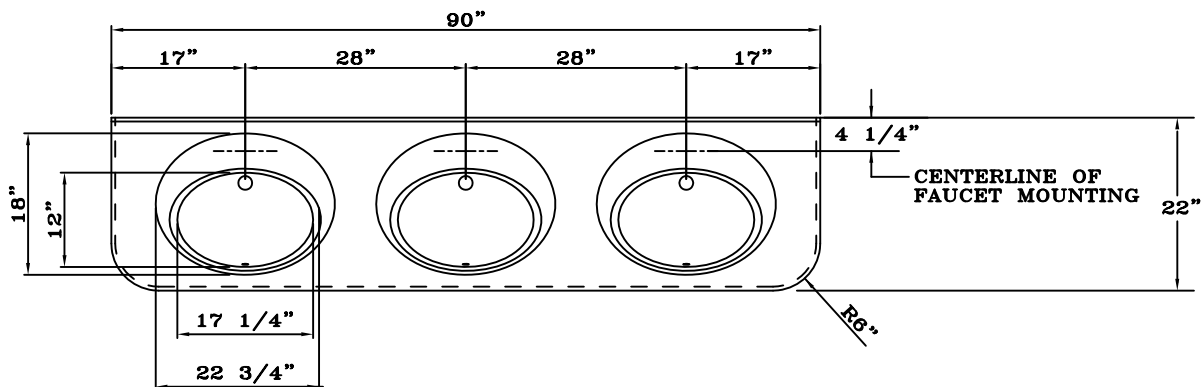
Willoughby Model Number: WAD-2250-4-8CC-B1-BV-WADSS-0422L

Drawing Approved For Manufacturing By: \_\_\_\_\_ Date: \_\_\_\_\_ Company: \_\_\_\_\_  
 Wall Thickness: \_\_\_\_\_ Wall Type: \_\_\_\_\_

**Do Not Use For Rough-In!**



IN COMPLIANCE  
WITH A.D.A. 1994



## Willoughby Industries, Inc.