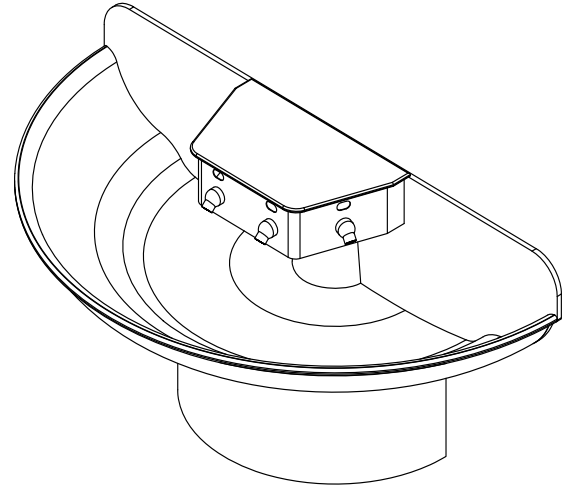


Aquasurf® 3 & 4 Station Deep Bowl 54" Washfountain



✓	MODEL NUMBER	NUMBER OF STATIONS	PEDESTAL TYPE
	WAF-5403	3	WALL
	WAF-5404	4	WALL

Recommended Specifications

Solid surface washfountain shall be Willoughby AquaFount® Model No. **WAF-54**__ (select from table).

Aquasurf® washfountain shall accommodate from 1 to 3 users simultaneously for the 3 station and 1 to 4 users simultaneously for the 4 station. The washfountain bowl and top shall be constructed of Aquasurf® molded cast polymer densified solid surface material composed of polyester/acrylic resin, UV stabilizer, aluminum trihydrate and mineral fillers. The pre- assembled water distribution heads and pedestal base shall be constructed of heavy gauge, type 304 stainless steel. Exposed stainless steel surfaces shall be polished to a satin finish. Pushbuttons and water spray nozzles shall be constructed of type 303 stainless steel. The drain grate shall be constructed of heavy gauge stainless steel. The pre-assembled sprayhead module shall be equipped with independent spray nozzles; each controlled by a separate pushbutton or infrared sensor. Flow restrictor shall maintain flow rates at 0.5 GPM per station. AquaFount® washfountains shall be supplied with thermostatic mixing valve, integral check stops, drain spuds, flexible supply hoses, control valves, color coded water lines, and (IR and EL1 valves only) Class II, 120/24 VAC plug-in transformer.* Operating supply water pressure range is 25-100 PSI.

Vandal Resistance:

All spray nozzles, pushbuttons, infrared sensors, and escutcheons are secured to the unit from within the sprayhead. Valves, water supplies, and waste connections are concealed within the pedestal. The pedestal cover is removable and secured with vandal resistant security screws. The Aquasurf® solid surface material is resistant to stains, impact, and burns. Surface damage can be easily repaired with everyday cleansers and/or fine grit abrasives.

ADA, UFAS, TAS, and ANSI Compliant:

When the washfountain is mounted at the standard 34" rim height it is designed to comply with all applicable ADA, UFAS, TAS, and ANSI Z124.3 and Z124.6 accessibility guidelines.

Optional Features:

AquaFount® washfountains also offer liquid soap dispensers as optional accessories. AquaFount® washfountains can also be supplied with a rim height of 28" for use by juveniles.

**Note: Plug-in transformer must be used with a ground fault interrupter (GFCI) receptacle to help prevent possible electrical shock.*

Made In The **U.S.A.**



Visit our website at <http://www.willoughby-ind.com>

2210 West Morris Street • P.O. Box 21217 • Indianapolis, IN 46221

(317) 638-2381 • Fax: (317) 638-6110 • (800) 428-4065

MODEL NUMBER AND OPTIONS:

1.) Washfountain Model:

- WAF AquaFount™

2.) Base Model Number:

- 5403 3-Station, Wall Mounted
 5404 4-Station, Wall Mounted

3.) Valve Selection:

- PM1 Single Temp. Pneumatic
 EL1 Single Temp. Electronic
 IR Infrared Sensor

5.) Solid Surface Color:

- B1 Bone
 GW1 Glacier White
 GG1 Grey Granite
 SS1 Sandstone
 WG1 White Granite
 BG1 Black Granite
 NB1 Nocturnal Blue
 RC1 Red Coral
 SG1 Sea Green

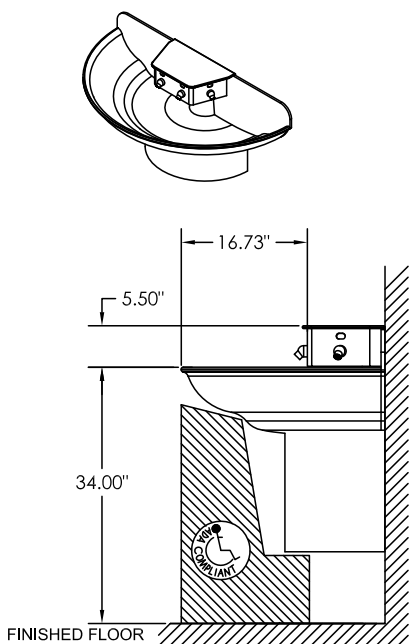
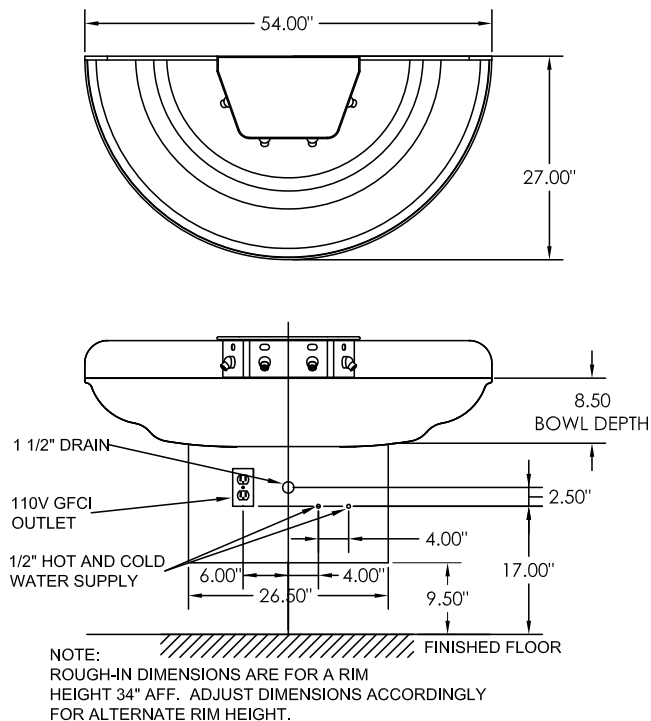
6.) Options:

- LSD Liquid Soap Dispenser
 JR Junior Height (28" Rim Height)
 FO Foot Operated (Pneumatic)
 (not ADA compliant)
 Other _____
 Other _____

Drawing Approved For Manufacturing By: _____ Date: _____ Company: _____
 Wall Thickness: _____ Wall Type: _____



VERIFY ALL DIMENSIONS PRIOR TO ROUGH-IN



To specify fixture and accessories, use the Model Number and Options Guide.
 Example: To specify a wall mounted, AquaFount 4-Station, 54" half round, deep bowl washfountain with infrared sensor, in Sandstone color, with liquid soap dispenser, use the following Willoughby Model Number:
 Willoughby Model Number: WAF-5404-IR-SS1-LSD

Willoughby Industries, Inc.

Made In The U.S.A.

