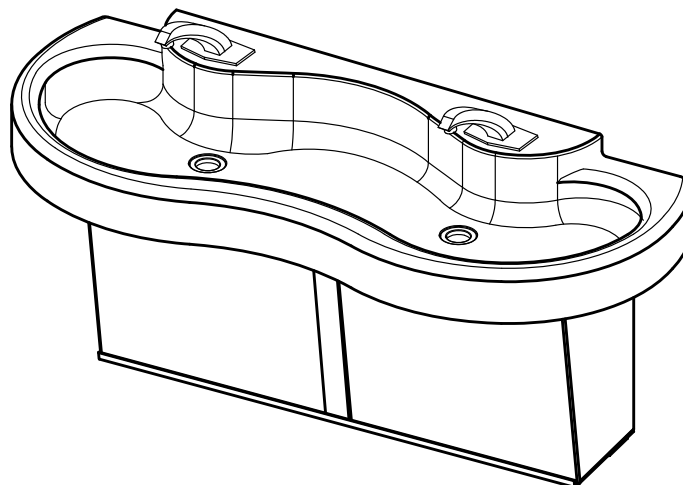


AquaWave® 2 Station Lavatory System for Deck Mounted Faucets



(Shown with optional faucets)

✓	MODEL NUMBER	NUMBER OF STATIONS	PEDESTAL TYPE
	WAW-2322-DMF	2	WALL

Recommended Specifications

Solid surface washfountain shall be Willoughby AquaWave™ Model No. **WAW-2322-DMF**.

AquaWave® Lavatory System shall accommodate from 1 to 2 users simultaneously. The lavatory system bowl and pedestal panels shall be constructed of Aquasurf® molded cast polymer densified solid surface material composed of polyester/acrylic resin, UV stabilizer, aluminum trihydrate and mineral fillers. Exposed stainless steel surfaces shall be polished to a satin finish. The drain shall be constructed of heavy gauge stainless steel.

Vandal Resistance:

Valves (by others), water supplies, and waste connections are concealed within the pedestal. The pedestal panels are removable and secured with vandal resistant security screws. The Aquasurf® solid surface material is resistant to stains, impact, and burns. Surface damage can be easily repaired with everyday cleansers and/or fine grit abrasives.

ADA, UFAS, TAS, and ANSI Compliant:

When the lavatory system is mounted at the standard 34" rim height it is designed to comply with all applicable ADA, UFAS, TAS, and ANSI Z124.3 and Z124.6 accessibility guidelines.

Optional Features:

AquaWave® Lavatory Systems also offer liquid soap dispensers as optional accessories. AquaWave® Lavatory Systems can also be mounted at juvenile rim height (Low Profile Pedestal kit required to meet accessibility guidelines). A floor kit is available for an installation that requires an on-floor pedestal. Sloan Optima® faucets are available as options (supplied uninstalled).*

*Note: Plug-in transformer must be used with a ground fault interrupter (GFCI) receptacle to help prevent possible electrical shock.

Made In The **U.S.A.**



Visit our website at <http://www.willoughby-ind.com>

2210 West Morris Street • P.O. Box 21217 • Indianapolis, IN 46221

(317) 638-2381 • Fax: (317) 638-6110 • (800) 428-4065

MODEL NUMBER AND OPTIONS:

1.) Lavatory Model:

WAW AquaWave™

2.) Base Model Number:

2322-DMF 2-Sta. for Deck Mtd. Faucet

3.) Valve Selection:

- NV Faucet by Others
- SF1 (2) Sloan® ETF 600 Faucets
- SF2 (2) Sloan® EBF 650 Faucets
- SF3 (2) Sloan® ETF 80 Faucets
- SF4 (2) Sloan® EBF 85 Faucets

4.) Pedestal Type:

- FLR Floor Kit
- LP Low Profile Pedestal

5.) Solid Surface Color:

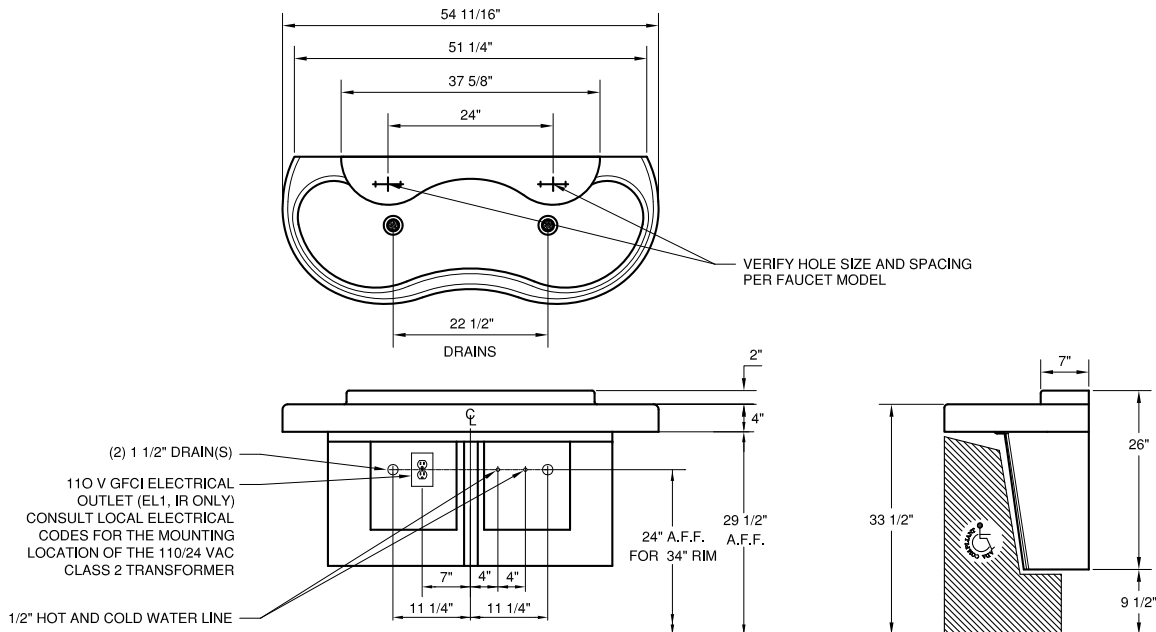
- B1 Bone
- GW1 Glacier White
- GG1 Grey Granite
- SS1 Sandstone
- WG1 White Granite
- BG1 Black Granite
- NB1 Nocturnal Blue
- RC1 Red Coral
- SG1 Sea Green

6.) Options:

- TAS Texas Accessibility Standards
- JR Junior Height (28" Rim Height)
(LP Pedestal Required)
- Other _____
- Other _____

Drawing Approved For Manufacturing By: _____ Date: _____ Company: _____
 Wall Thickness: _____ Wall Type: _____

VERIFY ALL DIMENSIONS PRIOR TO ROUGH-IN



To specify fixture and accessories, use the Model Number and Options Guide.
 Example: To specify an AquaWave 2 Station Lavatory System for Deck Mounted Faucet with Sloan ETF 600 faucets, a low profile pedestal, in Sandstone color, use the following Willoughby Model Number:
 Willoughby Model Number: WAW-2322-DMF-SF1-LP-SS1

Made In The U.S.A.



Willoughby Industries, Inc.