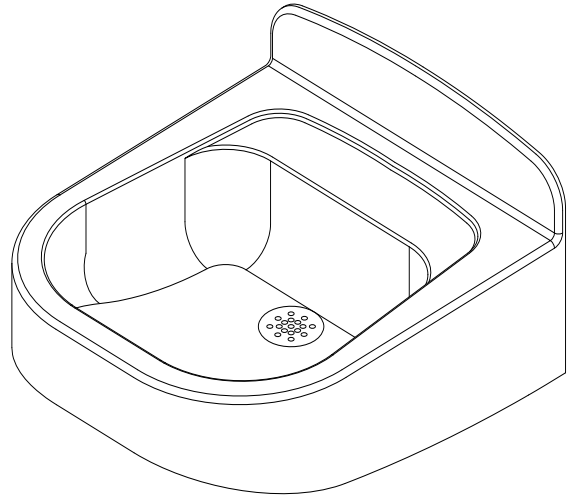


## Aquasurf® Executive Lavatory WEL-2311

✓	MODEL NUMBER	NUMBER OF STATIONS	PEDESTAL TYPE
	WEL-2311	1	WALL



### Recommended Specifications

Solid surface lavatory shall be Willoughby Aquasurf® Executive Lavatory Model No. **WEL-2311**. The lavatory shall accommodate one user at a time. The lavatory shall have an integral backsplash and bowl overflow. Heavy-gauge stainless steel wall carrier (fasteners by others) shall be supplied with lavatory. Each Executive Lavatory mounted at standard height shall comply with ADA Accessibility Standards without an offset drain.

Aquasurf® Executive Lavatory bowl shall be constructed of molded cast polymer densified solid surface material composed of polyester/acrylic resin, UV stabilizer and aluminum trihydrate and mineral fillers. The Aquasurf® solid surface material is resistant to stains, impact, and burns. Surface damage can be easily repaired with everyday cleansers and/or fine grit abrasives. Deck can be drilled (by others) for 4 inch or 8-inch centerset, or centershank

faucet (supplied by others). Deck-mounted soap dispenser (by others) can be used when using most 4-inch centerset or centershank faucets.

#### **ADA, TAS, UFAS and ANSI Compliant:**

When the deck is mounted at standard 34" rim height it complies with applicable ADA, TAS, UFAS and ANSI Z124.3 and Z124.6 accessibility guidelines.

#### **Optional Features:**

Aquasurf® Executive Lavatories are available with a variety of optional accessories including 4" centerset faucet, centershank infrared faucet, chrome-plated 1 1/4" grid strainer/tail piece assembly with overflow connection and stainless steel trap enclosure.

*Made In The U.S.A.*



*Visit our website at <http://www.willoughby-ind.com>*

2210 West Morris Street • P.O. Box 21217 • Indianapolis, IN 46221  
(317) 638-2381 • Fax: (317) 638-6110 • (800) 428-4065

## MODEL NUMBER AND OPTIONS:

**1.) Lavatory Model:**

WEL Executive Lavatory

**2.) Base Model Number:**

2311 Single-Station Lavatory

**3.) Valve Selection:**

NF No Faucet Included  
 2H 4" Centerset Faucet

**4.) Solid Surface Color:**

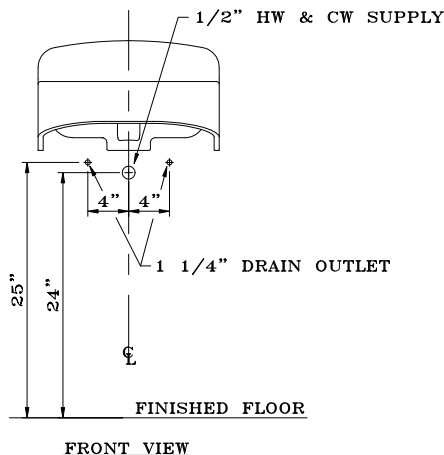
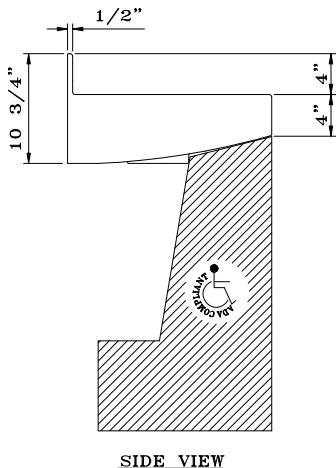
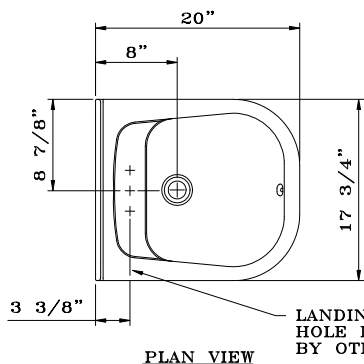
GG1 Gray Granite  
 SS1 Sandstone  
 WG1 White Granite  
 BG1 Black Granite  
 NB1 Nocturnal Blue  
 RC1 Red Coral  
 SG1 Sea Green  
 B1 Bone  
 GW1 Glacier White

**5.) Options:**

TE Stainless Steel Trap Cover  
 Other \_\_\_\_\_  
 Other \_\_\_\_\_

Drawing Approved For Manufacturing By: \_\_\_\_\_ Date: \_\_\_\_\_ Company: \_\_\_\_\_  
 Wall Thickness: \_\_\_\_\_ Wall Type: \_\_\_\_\_

**Do Not Use For Rough-In!**



To specify fixture and accessories, use the Model Number and Options Guide.  
 Example: To specify an Executive Lavatory unit with no valve, Red Coral color, and a stainless steel trap cover. Use the following Willoughby Model Number:  
 Willoughby Model Number: WEL-2311-NF-RC1-TE

**Willoughby Industries, Inc.**

*Made In The U.S.A.*

