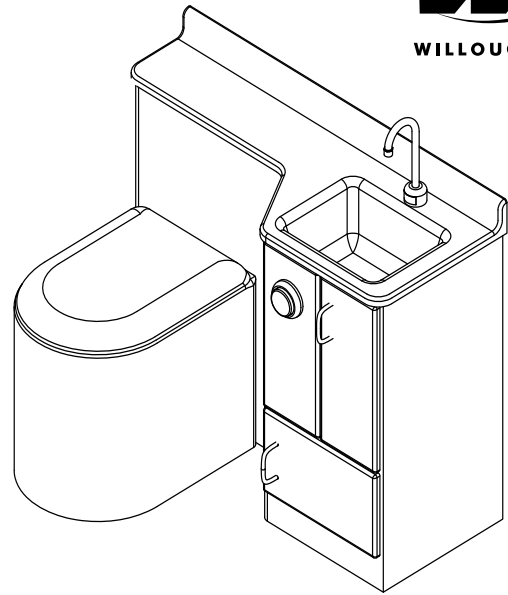


WH-1900 Patient Care Unit



Note: May be shown with optional features

✓	MODEL NUMBER	TOILET LOCATION	CABINET MOUNTING
	WH-1900-L	LEFT	FLOOR
	WH-1900-R	RIGHT	FLOOR

Recommended Specifications

Modular patient care unit with decorator cabinet shall be Willoughby Model WH-1900. Unit shall be free standing with welded type 304 stainless steel cabinet and the following equipment:

- Cabinet/doors exterior finished in solid polymer
- Doors with rounded edges
- Toilet tissue holder
- Aquasurf® Solid Surface countertop
- Lavatory integral to countertop
- 10" gooseneck spout with 4 " wristblade handles
- Siphon type toilet is fixed and has elongated bowl, integral flushing rim, and white hinged seat cover and shall be a minimum of 17"H and support a 5,000 lb. static load*.

Cabinet

Cabinet is stainless steel; cabinet exterior panels and doors are solid polymer. Interior finishes are satin finish stainless steel. Doors have rounded edges to enhance patient safety. Toilet tissue holder is conveniently located within the cabinet door. Standard countertop is Aquasurf® Solid Surface. Flex hose bed pan washer concealed behind angled door, includes vacuum breaker. Optional dialysis box located in sink storage compartment.

Lavatory

Lavatory is an integral solid surface bowl 14" x 11" x 6½" deep (optional 11" x 13" x 5½" oval bowl). Furnished with 10" rigid gooseneck, deck-mounted hot and cold faucet with 4" wristblade handles. Traps and stops complying with local codes to be furnished by others.

Toilet

Standard toilet shall include: elongated toilet bowl with contoured seat, integral crevice-free self-draining flushing rim with positive afterfill and fully enclosed 3" O.D. trap which shall maintain a minimum 3 ½" seal and pass a 2 5/8" ball. Toilet shall be siphon jet type which requires 25 psi minimum flushing pressure.

Fixture shall withstand loadings up to 2,000 lbs. with no measurable deflection and loadings up to 5,000 lbs. with no permanent damage.

Anchoring shall be through the front and through the floor (anchoring hardware provided by others). Unit requires no chase area for installation and maintenance.

Note: For 1.6 gallon flush, unit will pass a 2 1/8" ball.

On back to back fixture installations, do not use standard cross type waste fittings: cross flow may result due to blowout jet action. Use sanitary or offset type waste fittings.

Visit our website at <http://www.willoughby-ind.com>

2210 West Morris Street • P.O. Box 21217 • Indianapolis, IN 46221

(317) 638-2381 • Fax: (317) 638-6110 • (800) 428-4065

