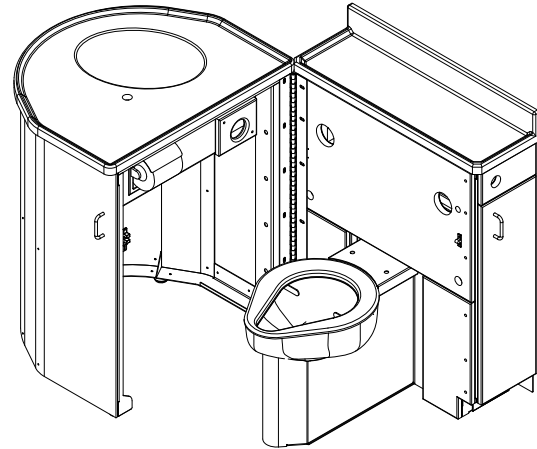


WH-2600 Patient Care Unit



✓	MODEL NUMBER	TOILET LOCATION	CABINET MOUNTING
	WH-2600-L	LEFT	WALL
	WH-2600-R	RIGHT	WALL

Note: May be shown with optional features

Recommended Specifications

Modular Patient Care Unit in Swivel Front decorator cabinet shall be Willoughby Model WH-2600. Unit shall be free standing with type 304-welded stainless steel cabinet and circular frame, and the following equipment:

- AquaSurf® Solid Surface countertop
- Toilet tissue holder within cabinet
- Lavatory integral to countertop
- 10" gooseneck spout with 4 " wrist-blade handles
- Siphon-jet type toilet is fixed and has elongated bowl, integral flushing rim, and white hinged seat cover and shall be 18"H and support a 5,000 lb. static load*.

Cabinet

Cabinet is welded stainless steel; cabinet exterior panels and doors are 3/4", and 1/2" solid polymer. Interior finishes are satin finish stainless steel. Doors have rounded edges to enhance patient and staff safety. Toilet tissue holder is located within Swivel Cabinet front panel. Standard countertop is AquaSurf® Solid Surface. Optional side door mounted flex hose bed pan washer and/or dialysis box with drain.

Lavatory

Lavatory deck has an integral solid surface oval bowl, and backsplash. Furnished with 10" rigid gooseneck, deck mounted hot and cold faucet with 4" Wristblade handles. Traps and stops complying with local codes to be furnished by plumbing contractor.

Toilet

Standard toilet shall include: elongated toilet bowl with contoured seat, integral crevice-free self-draining flushing rim with positive afterfill and fully enclosed 3" O.D. trap which shall maintain a minimum 3 1/2" seal and pass a 2 5/8" ball. Toilet shall be siphon jet type which requires 25 psi minimum flushing pressure.

Fixture shall withstand loadings up to 2,000 lbs. with no measurable deflection and loadings up to 5,000 lbs. with no permanent damage.

Anchoring shall be through the front and through the floor (anchoring hardware provided by others). Unit requires no chase area for installation and maintenance.

Note: For 1.6 gallon flush, unit will pass a 2 1/8" ball.

On back to back fixture installations, do not use standard cross type waste fittings: cross flow may result due to blowout jet action. Use sanitary or offset type waste fittings.

Made In The U.S.A.



Visit our website at <http://www.willoughby-ind.com>

2210 West Morris Street • P.O. Box 21217 • Indianapolis, IN 46221

(317) 638-2381 • Fax: (317) 638-6110 • (800) 428-4065

MODEL NUMBER AND OPTIONS:

1.) Patient Care Module Number

- WH2600-F(Center Toilet) – (Floor/Floor)
- WH2600-W(Center Toilet) – (Floor/Wall)
- RH/RL Right Hinge / Right Lavatory
- LH/LL Left Hinge / Left Lavatory

2.) Toilet Fixture (Stainless Steel)

- FM Floor Mount, Wall Outlet
- FO Floor Mount, Floor Outlet
- TS Top Spud (Standard – FV in Cabinet)
- TWE Toilet Waste Extension (Wall outlet only)
- TW3 Coupling, 3" C.O. for TWE (Wall outlet only)
- TW4 Waste Connect, Floor Outlet

3.) Cabinet (Exterior Polymer – Indicate Color)

- AW Arctic White
- WW White / White
- LG Light Grey
- SN Sansshade (Almond)
- SM Seafoam
- DG Dolphin Grey
- SP Sea Pearl

4.) Counter Top Colors

Standard (Indicate Color)(AQCT)

- WG1 White Granite
- SS1 Sandstone Granite
- GG1 Grey Granite
- RC1 Red Coral (Granite)
- BG1 Black Granite
- NB1 Nocturnal Blue (Granite)
- BN1 Bone (Solid)
- GW1 Glacier White (Solid)

5.) Counter Top Bowls (Matching)

- AMB-L1113 Oval Integral Bowl

Colors: Bowl (Optional)

- BBN1 Bowl - Bone
- BGW1 Bowl – Glacier White

6.) Faucet

- WB 4" CC, 10" Gooseneck, Wrist Blade Handles (standard)
- FSS Sensor Spout, Center Shank
- FFP Foot Pedal, Faucet

7.) Other Options

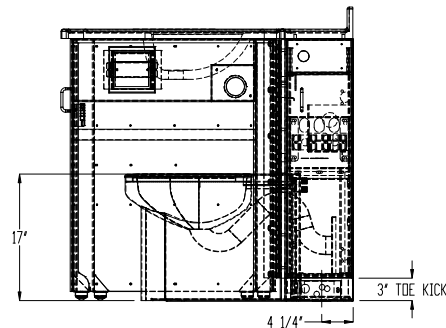
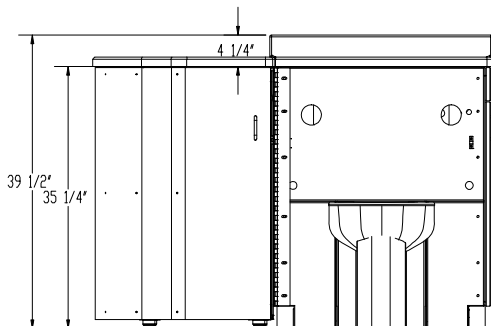
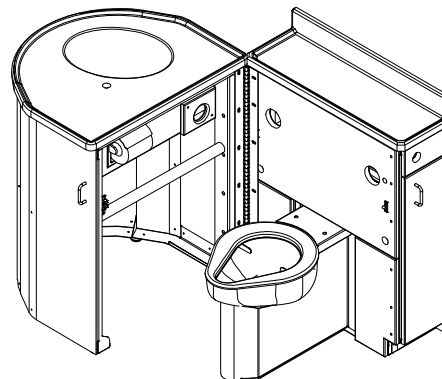
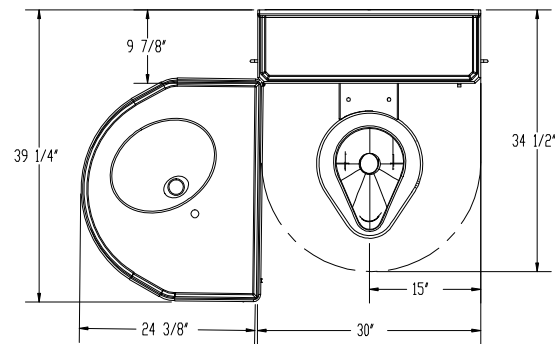
- DC White Finish (Toilet)
- BWSEV Bedpan Washer, Elevated Valve
- BWSEV-VC Bedpan Washer, Elevated Volume Control Valve
- BWFP Foot Pedal, BedpanWasher Valve
- BL Bed Pan Lugs
- LHS Lavatory hose spray
- LFN Laminar Flow nozzle
- SDB Integral Cabinet Single Valve Dialysis Box
- DDB Integral Cabinet Dual Valve Dialysis Box
- SGB Swing Down Grab Bar (35")
- WGB Wall Grab Bar (36")
- FGB Floor Mount Grab Bar

8.) Code Variances

- TSC Toilet Seat w/cover
- IVB Inline Vacuum Breaker
- PCP P-trap w/clean out plug
- CVB-U Continuous Pressure Vacuum Breaker
- TMV-U Thermostatic Mixing Valve
- MG-S 1/2"x 3/8" Supply Stops
- MG-T 1/2" 17ga P-Trap
- DB-DRN Dialysis Box Drain/Trap
- LOCK Flush Valve Staged Lockout
- RPZ Reduced Pressure Zone Check

Drawing Approved For Manufacturing By: _____ Date: _____ Company: _____
 Wall Thickness: _____ Wall Type: _____

VERIFY ALL DIMENSIONS PRIOR TO ROUGH-IN



Willoughby Industries, Inc.

Made In The U.S.A.

