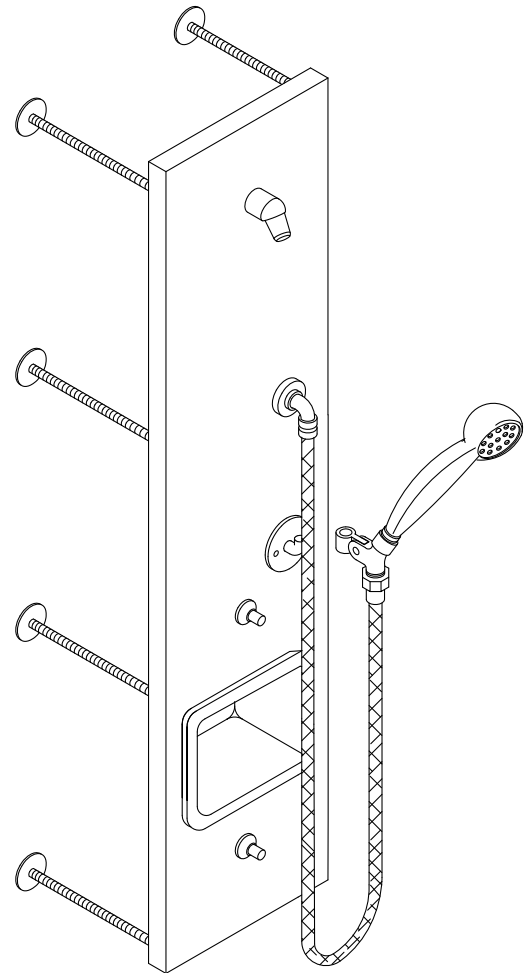


## WRS-BF Series Rear Mounted Recessed Handicap Shower Panel w/ Hand Held Showerhead

✓	MODEL NUMBER	VALVE TYPE
	WRS-PM1-PM1-BF	SINGLE TEMP PNEU. METERING VALVE
	WRS-PM2-PM2-BF	DUAL TEMP PNEU. METERING VALVE
	WRS-EL1-EL1-BF	SINGLE TEMP ELECTRONIC
	WRS-EL2-EL2-BF	DUAL TEMP ELECTRONIC
	WRS-NV-NV-BF	NO VALVE



### Recommended Specifications \_\_\_\_\_

Handicap recessed shower panel shall be Willoughby Model No. **WRS-\_\_\_-\_\_\_-BF**.

Shower panel shall be fabricated from 14 gauge, type 304 stainless steel with exposed stainless surfaces polished to a #4 satin finish.

Standard equipment shall include: shower valving (as selected from table above), vandal resistant shower head (NPS), quick disconnect, vacuum breaker, hand held flex shower assembly, and fixed mounting bracket.

Anchoring shall be by standard 8-point system: 1/2" threaded rods, nuts, and washers shall be furnished for walls up to 8" thick. Unit shall require chase area for installation and maintenance.

Made In The **U.S.A.**



Visit our website at <http://www.willoughby-ind.com>

2210 West Morris Street • P.O. Box 21217 • Indianapolis, IN 46221  
(317) 638-2381 • Fax: (317) 638-6110 • (800) 428-4065

## MODEL NUMBER AND OPTIONS:

**1.) Base Model Number:**

- WRS-BF Rear mounted recessed handicap shower

**2.) Valve Selection:**

- NV No Valve  
 PM1 Single Temp. Pneu. Metering  
 PM2 Dual Temp. Pneu. Metering  
 EL1 Single Temp. Electronic  
 EL2 Dual Temp. Electronic

**3.) Options:**

- NPS Non-Adjustable Penal Shower Head (Standard)  
 APS Adjustable Penal Shower Head  
 CSH Anti-Suicide Shower Head  
 PBH Anti-Suicide Pushbutton (Pneumatic)  
 RD Recessed mounted soap dish  
 SD Surface mounted soap dish  
 WS Wall Sleeve  
 Other: \_\_\_\_\_  
 Other: \_\_\_\_\_

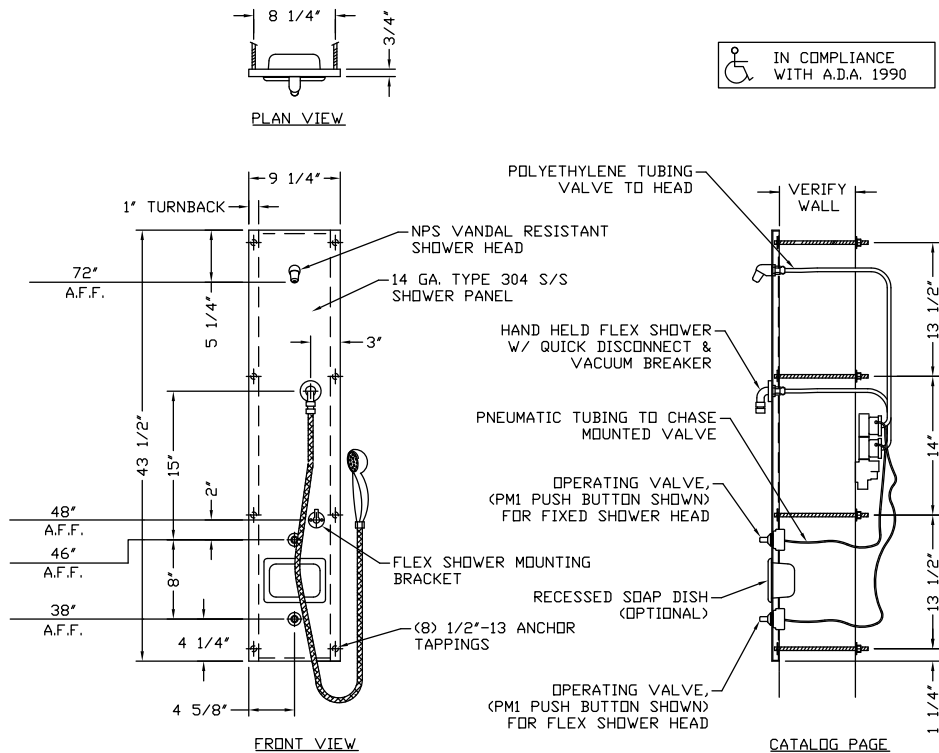
**Valve Manifold Options:**

*Pneumatic or Electronic only:*

- MA2

Drawing Approved For Manufacturing By: \_\_\_\_\_ Date: \_\_\_\_\_ Company: \_\_\_\_\_  
 Wall Thickness \_\_\_\_\_ Wall Type \_\_\_\_\_

**VERIFY ALL DIMENSIONS PRIOR TO ROUGH-IN**



**To specify fixture and accessories, use the Model Number and Options Guide.**  
 Example: To specify a rear mounted recessed handicap shower panel with single temp. pneumatic metering valves and recessed mounted soap dish. Use the following Willoughby Model Number:  
 Willoughby Model Number: WRS-PM1-PM1-BF-RD

**Willoughby Industries, Inc.**

Made In The U.S.A.

