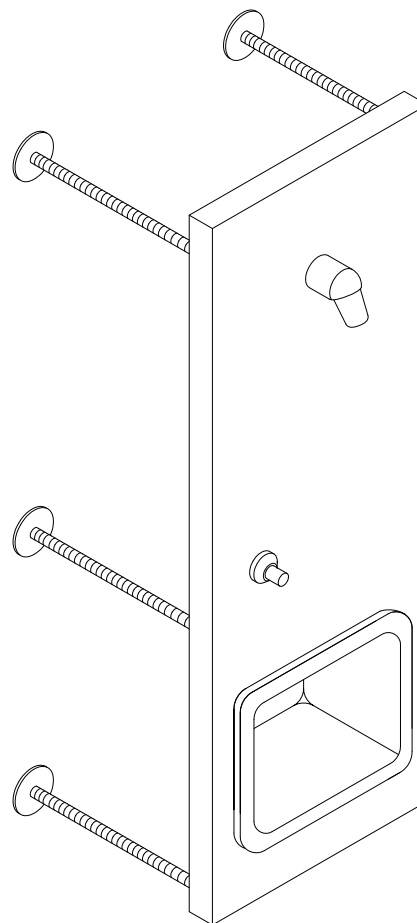


## WRS-Series Rear Mounted Recessed Shower Panel

✓	MODEL NUMBER	VALVE TYPE
	WRS-PM1	SINGLE TEMP METERING VALVE
	WRS-PM2	DUAL TEMP METERING VALVE
	WRS-EL1	SINGLE TEMP ELECTRONIC
	WRS-EL2	DUAL TEMP ELECTRONIC
	WRS-NV	NO VALVE
	WRS-PB	PRESSURE BALANCING
	WRS-TMV	THERMOSTATIC MIXING VALVE



### Recommended Specifications \_\_\_\_\_

Recessed shower panel shall be Willoughby Model No. **WRS-\_\_\_** (select from table above).

Shower panel shall be fabricated from 14 gauge, type 304 stainless steel with exposed stainless surfaces polished to a #4 satin finish.

Standard equipment shall include: vandal resistant shower head (NPS).

Anchoring shall be by standard 6-point system: 1/2" threaded rods, nuts, and washers shall be furnished for walls up to 8" thick. Unit shall require chase area for installation and maintenance.

*Made In The U.S.A.*



*Visit our website at <http://www.willoughby-ind.com>*

2210 West Morris Street • P.O. Box 21217 • Indianapolis, IN 46221  
(317) 638-2381 • Fax: (317) 638-6110 • (800) 428-4065

## MODEL NUMBER AND OPTIONS:

**1.) Base Model Number:**

WRS Rear mounted recessed shower

**2.) Valve Selection:**

- NV No Valve
- PM1 Single Temp. Pneu. Metering
- PM2 Dual Temp. Pneu. Metering
- EL1 Single Temp. Electronic
- EL2 Dual Temp. Electronic
- PB Pressure Balancing
- TSV Thermostatic Mixing Valve

**3.) Options:**

- NPS Non-Adjustable Penal Shower Head (Standard)
- APS Adjustable Penal Shower Head
- CSH Anti-Suicide Shower Head
- PBH Anti-Suicide Pushbutton (Pneumatic)
- RD Recessed mounted soap dish
- SD Surface mounted soap dish
- WS Wall Sleeve

Other: \_\_\_\_\_

Other: \_\_\_\_\_

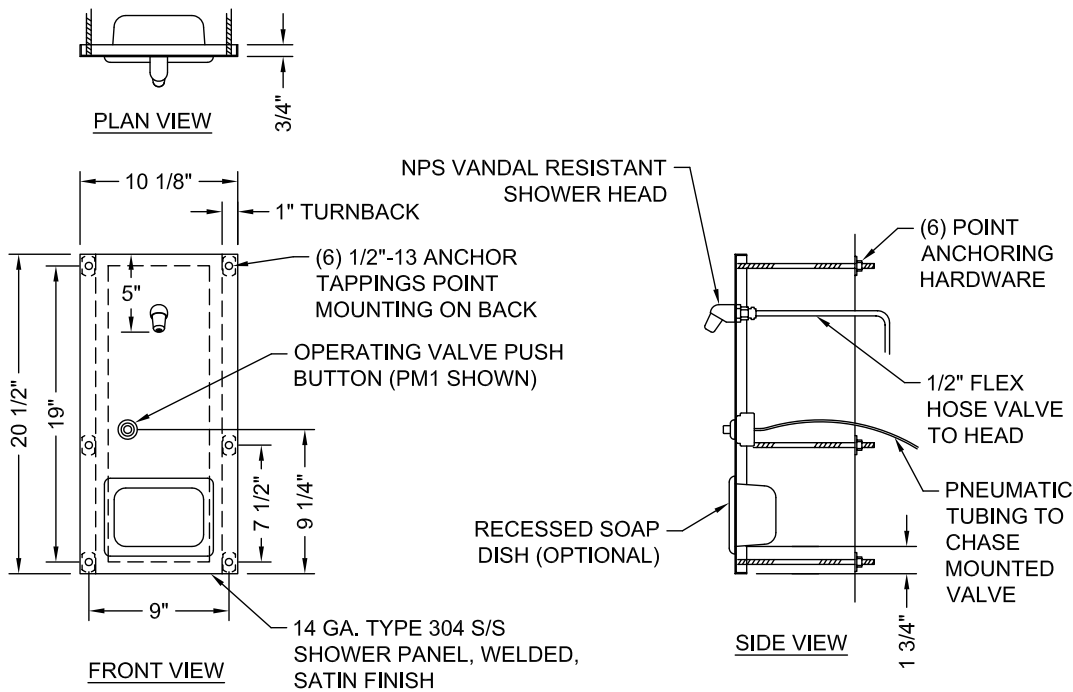
**Valve Manifold Options:**

*Pneumatic or Electronic only:*

MA2

Drawing Approved For Manufacturing By: \_\_\_\_\_ Date: \_\_\_\_\_ Company: \_\_\_\_\_  
 Wall Thickness \_\_\_\_\_ Wall Type \_\_\_\_\_

**VERIFY ALL DIMENSIONS PRIOR TO ROUGH-IN**



**To specify fixture and accessories, use the Model Number and Options Guide.**  
 Example: To specify a rear mounted recessed shower panel with single temp. pneumatic metering valve and recessed mounted soap dish. Use the following Willoughby Model Number:  
 Willoughby Model Number: WRS-PM1-RD

*Made In The U.S.A.*



# Willoughby Industries, Inc.