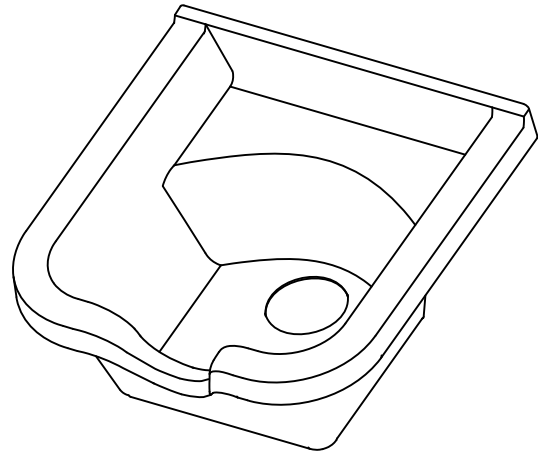


Aquasurf® Shampoo Bowl WSB-1911



✓	MODEL NUMBER	NUMBER OF STATIONS	PEDESTAL TYPE
	WSB-1911	1	WALL

Recommended Specifications

Solid Surface Shampoo Bowl shall be Willoughby Aquasurf® Shampoo Bowl, Model No. **WSB -1911**. The shampoo bowl shall accommodate one user at a time. The Aquasurf® WSB-1911 shall have a contoured neck rest.

Aquasurf® WSB-1911 shall be constructed of molded cast polymer densified solid surface material composed of polyester/acrylic resin, UV stabilizer and aluminum trihydrate, mineral fillers, and proprietary colorant. The Aquasurf® solid surface material is resistant to stains, impact, and burns. Surface damage can be easily repaired with everyday cleaners and/or fine grit abrasives.

The following are included with a standard bowl: stainless steel 3¹/₂" basket strainer and drain, and wall mounting bracket (less wall mounting hardware). An optional single handle multi-temperature faucet with removable hand-held sprayer and vacuum breaker is available.

Made In The **U.S.A.**



Visit our website at <http://www.willoughby-ind.com>

2210 West Morris Street • P.O. Box 21217 • Indianapolis, IN 46221
(317) 638-2381 • Fax: (317) 638-6110 • (800) 428-4065

MODEL NUMBER AND OPTIONS:

1.) Lavatory Model:

- WSB Willoughby Shampoo Bowl

2.) Base Model Number:

- 1911 Single Station, Wall Mounted

3.) Hole Selection:

- NF No Faucet Included (drilled by others)
 SHF Single Handle Faucet with vacuum breaker and hand held sprayer

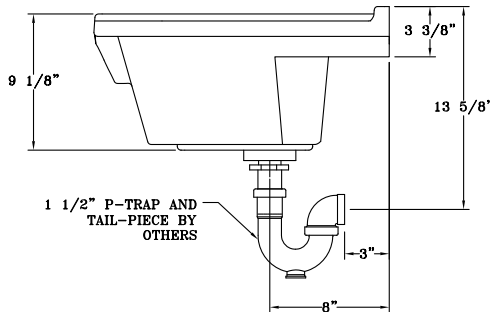
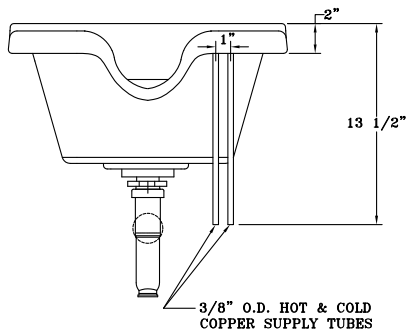
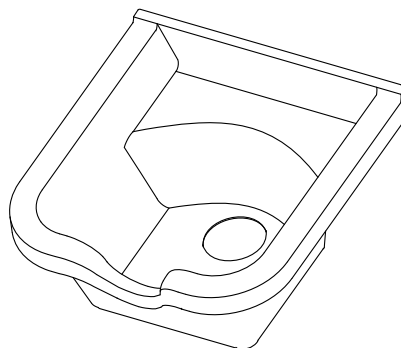
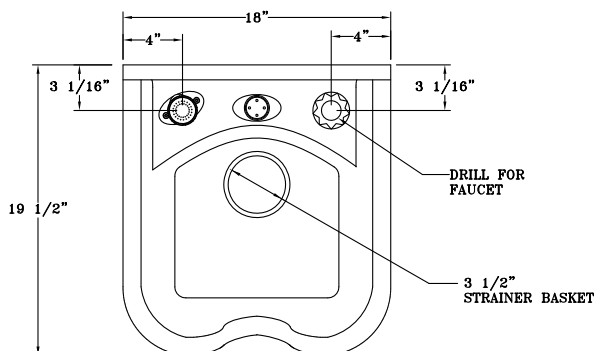
4.) Solid Surface Color:

- GG1 Gray Granite
 SS1 Sandstone
 WG1 White Granite
 BG1 Black Granite
 NB1 Nocturnal Blue
 RC1 Red Coral
 SG1 Sea Green
 B1 Bone
 GW1 Glacier White

5.) Options:

- Other _____
 Other _____

Drawing Approved For Manufacturing By: _____ Date: _____ Company: _____
 Wall Thickness: _____ Wall Type: _____



Do Not Use For Rough-In!

To specify fixture and accessories, use the Model Number and Options Guide.
 Example: To specify an shampoo bowl with no valve, and Red Coral color. Use the following Willoughby Model Number:
 Willoughby Model Number: WSB-1911-NF-RC1



Made In The U.S.A.

Willoughby Industries, Inc.