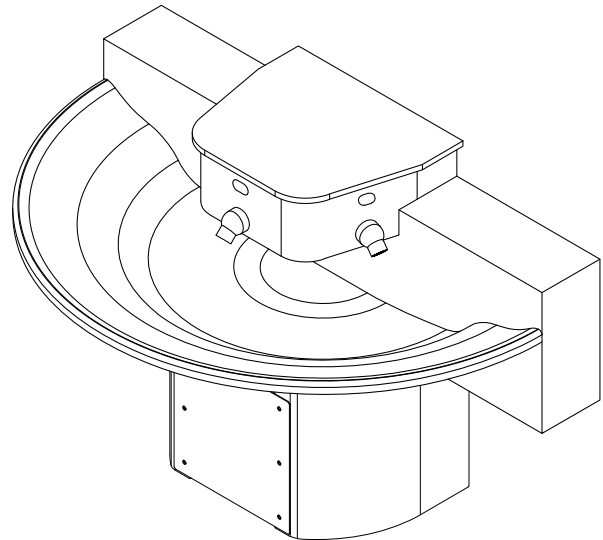


3 Station 36" Stainless Steel Deep Bowl Washfountain

✓	MODEL NUMBER	NUMBER OF STATIONS	PEDESTAL TYPE
	WWF-3603	3	WALL



Recommended Specifications

Stainless steel washfountain shall be Willoughby Model No. WWF-3603 (Select from table above).

Washfountain shall accommodate from 1 to 3 users simultaneously for the 3 station or from 1 to 4 users simultaneously for the 4 station. Washfountain bowl is constructed of **12 gauge stainless steel**. Pedestal and water distribution head shall be constructed of heavy gauge, type 304 stainless steel. Head cover shall be constructed of Aquasurf® solid surface material (gray-granite color). Exposed stainless steel surfaces shall be polished to a #4 satin finish. Pushbuttons and water spray nozzles shall be constructed of type 303 stainless steel. The drain grate shall be constructed of heavy gauge stainless steel. The sprayhead module shall be equipped with independent spray nozzles; each controlled by a separate pushbutton or infrared sensor. Flow restrictor shall maintain flow rates at 0.5 GPM per station. All washfountains shall be supplied with thermostatic mixing valves check stops and strainers, drain spud, flexible supply hoses, control valves, color coded water lines, and Class II, 120/24 VAC plug-in transformer.* Operating supply water pressure range is 25-80 PSI. Unit is shipped pre-assembled.

Vandal Resistance:

All spray nozzles, pushbuttons, infrared sensors, and es-cutcheons are secured to the unit from within the sprayhead. Valves, water supplies, and waste connections are concealed within the pedestal. The pedestal base is removable and secured with vandal resistant security torx screws.

ADA, TAS, UFAS and ANSI Compliant:

When the washfountain is mounted at standard 34" rim height it is designed to comply with applicable ADA, TAS, UFAS and ANSI Z124.3 and Z124.6 accessibility guidelines.

Optional Features:

Willoughby washfountains offer liquid soap dispensers and stainless steel tops as optional accessories. Willoughby washfountains can also be supplied with a rim height of 28" for use by juveniles (also ADA compliant).

**Note: Plug-in transformer must be used with a ground fault interrupter (GFCI) receptacle to prevent possible electrical shock.*

Made In The **U.S.A.**



Visit our website at <http://www.willoughby-ind.com>

2210 West Morris Street • P.O. Box 21217 • Indianapolis, IN 46221

(317) 638-2381 • Fax: (317) 638-6110 • (800) 428-4065

MODEL NUMBER AND OPTIONS:

1.) Washfountain Type:

WWF

2.) Base Model Number:

3603 3 Station

3.) Valve Selection:

PM1 Single Temp Pneu Metering

EL1 Single Temp Electronic

IR Infrared Sensor

4.) Other Options:

LSD Liquid Soap Dispenser

JR Junior Height

(28" Rim Height)

SS Stainless Steel Cover

FO Foot Operated (Pneumatic)

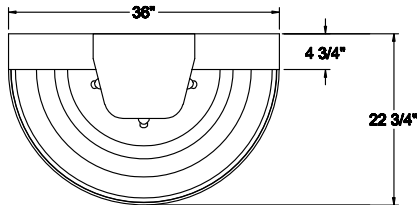
(Not ADA compliant)

Other _____

Other _____

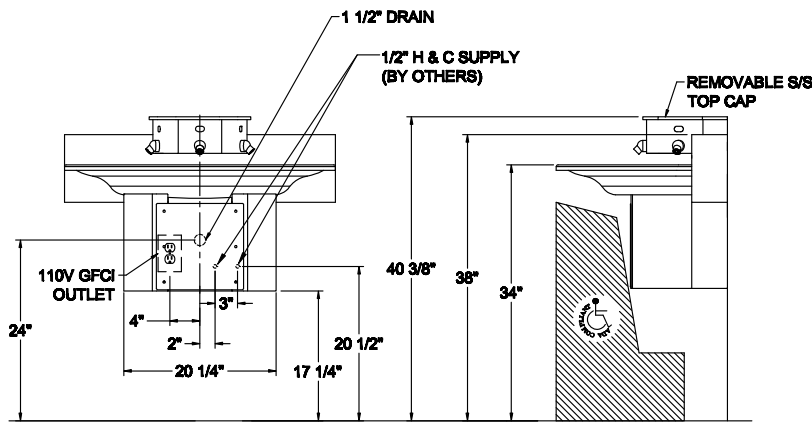
Drawing Approved For Manufacturing By: _____ Date: _____ Company: _____

Wall Thickness: _____ Wall Type: _____



NOTE: IN COMPLIANCE WITH A.D.A. 1994

VERIFY ALL DIMENSIONS PRIOR TO ROUGH-IN



NOTE: ROUGH-IN DIMENSIONS ARE FOR A RIM HEIGHT OF 34" A.F.F. ADJUST DIMENSIONS ACCORDINGLY FOR ALTERNATE RIM HEIGHT

FINISHED FLOOR

To specify fixture and accessories, use the Model Number and Options Guide.
 Example: To specify a 36" stainless steel half round 3 station washfountain with single temp pneumatic metering valve and liquid soap dispenser, use the following Willoughby Model Number:
 Willoughby Model Number: WWF-3603-PM1-LSD



Made In The U.S.A.

Willoughby Industries, Inc.